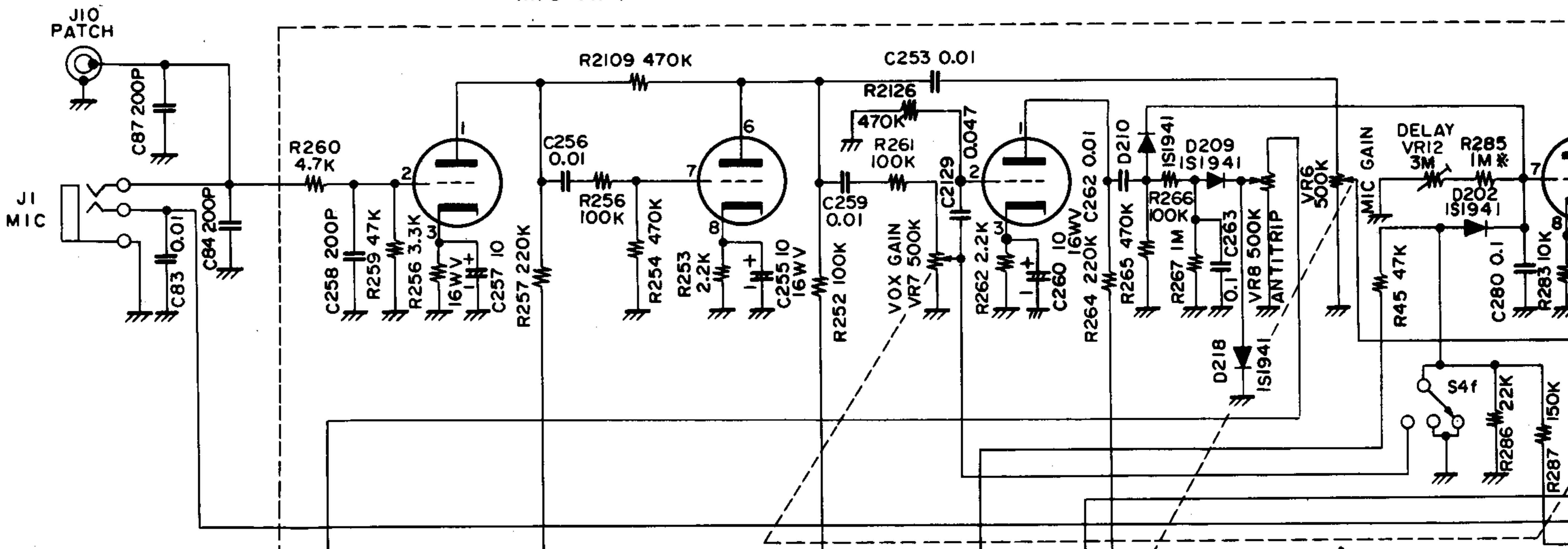


V208 12AX7
MIC AMP

V209a 12AT7
VOX AMP

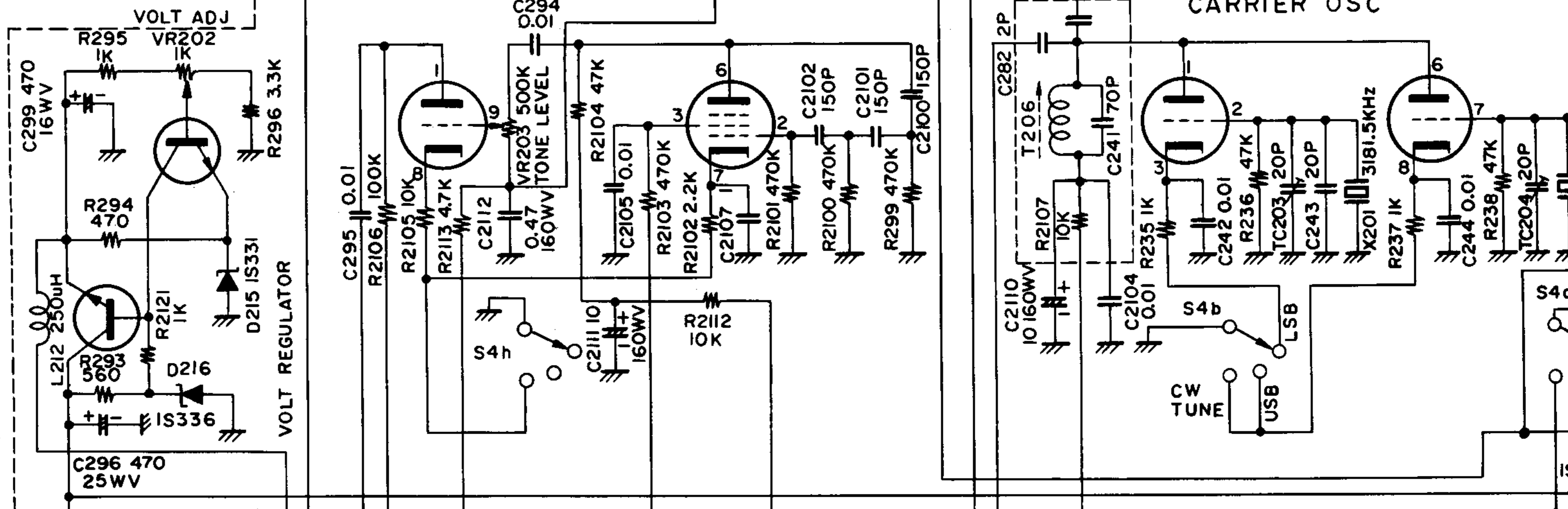
V209b
RELAY C



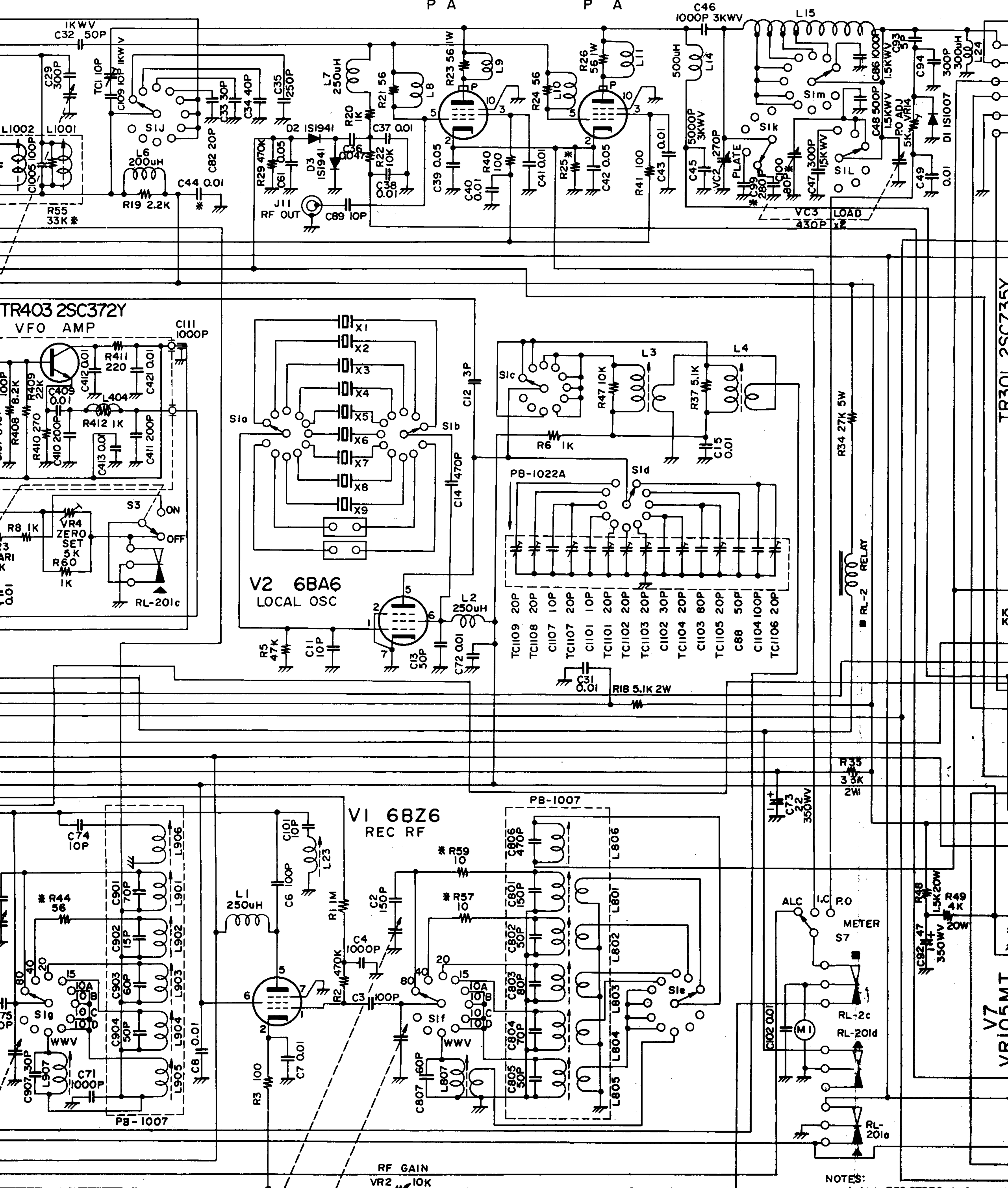
TR202
2SC372

V212 6U8
TONE OSC

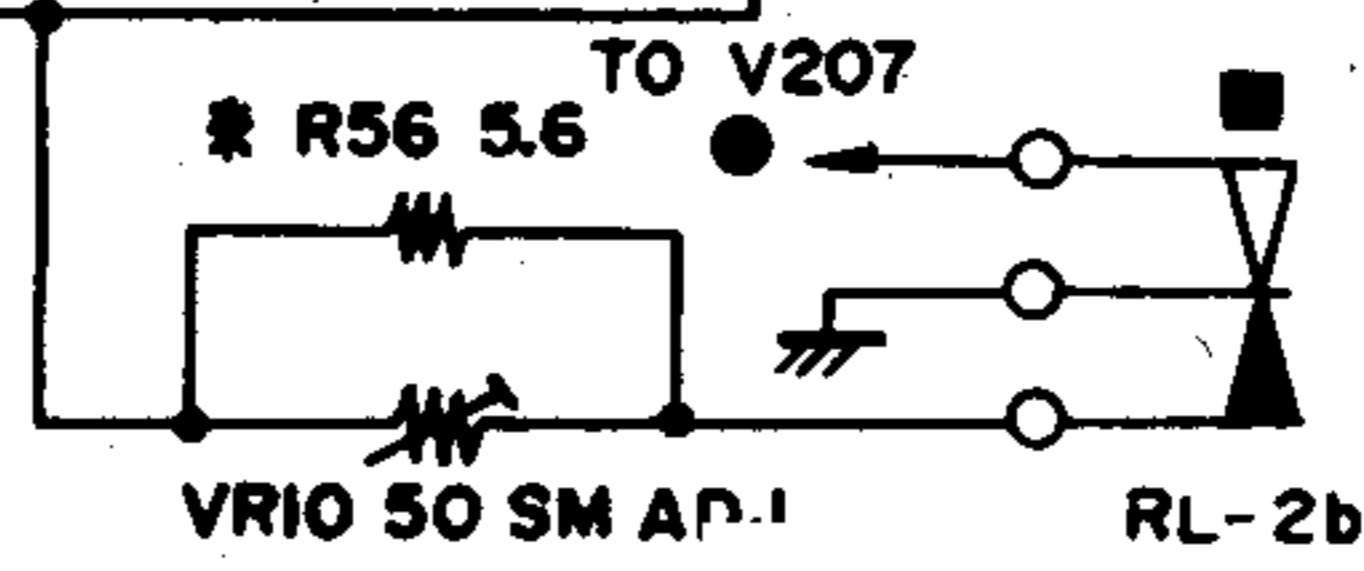
V206 12AU7
CARRIER OSC

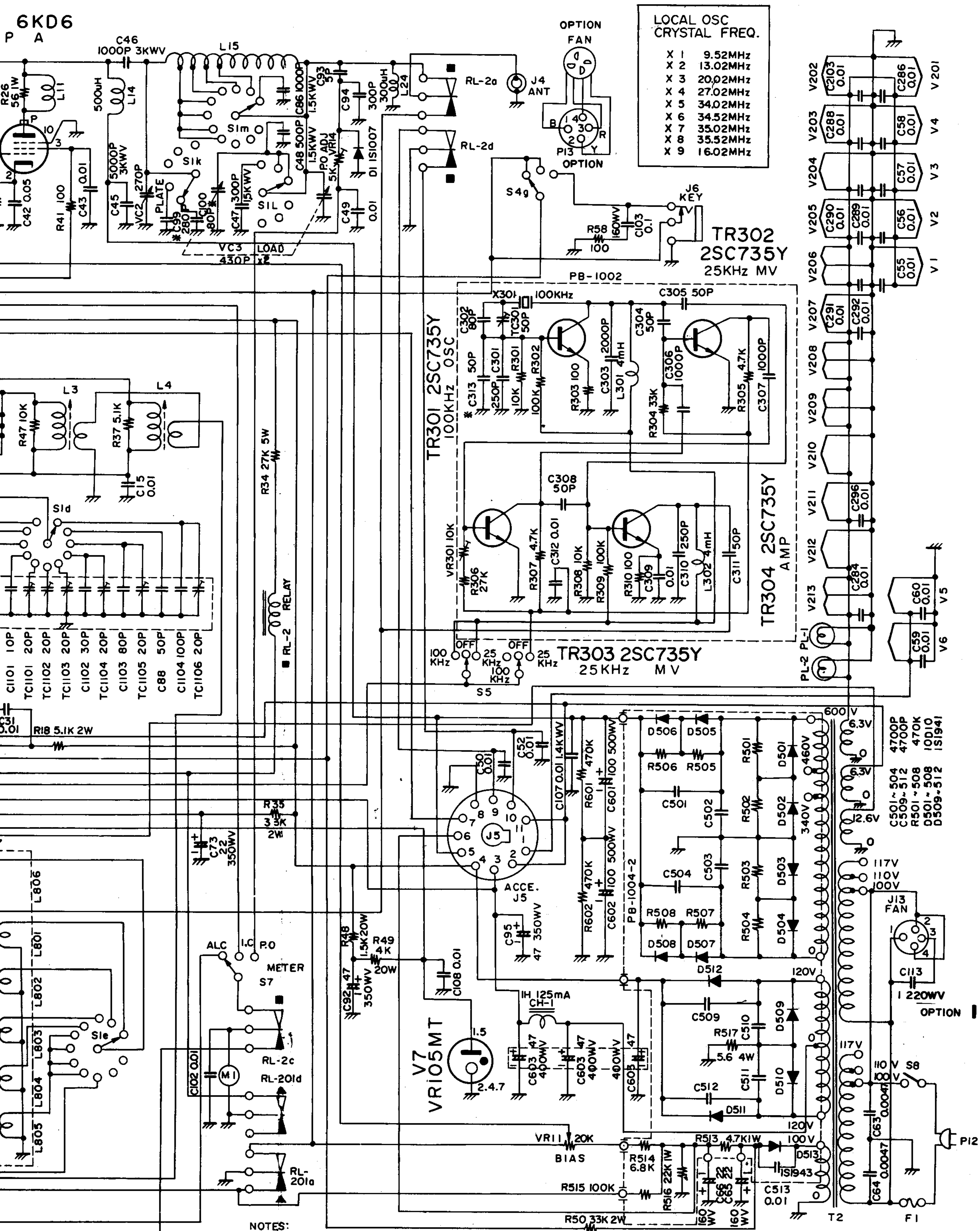


V5 6KD6 P A V6 6KD6 P A



- NOTES:
1. ALL RESISTORS IN OHM 1/10 UNLESS OTHERWISE NOTE
 2. ALL CAPACITORS IN UF UNLESS OTHERWISE NOTE
 3. * VALUE IS NOMINAL





LOCAL OSC
CRYSTAL FREQ.

X 1	9.52MHz
X 2	13.02MHz
X 3	20.02MHz
X 4	27.02MHz
X 5	34.02MHz
X 6	34.52MHz
X 7	35.02MHz
X 8	35.52MHz
X 9	16.02MHz

- NOTES:
1. ALL RESISTORS IN OHM 1/2W ± 10% UNLESS OTHERWISE NOTED.
 2. ALL CAPACITORS IN uF UNLESS OTHERWISE NOTED.
 3. * VALUE IS NOMINAL

FTDX560
CIRCUIT DIAGRAM

