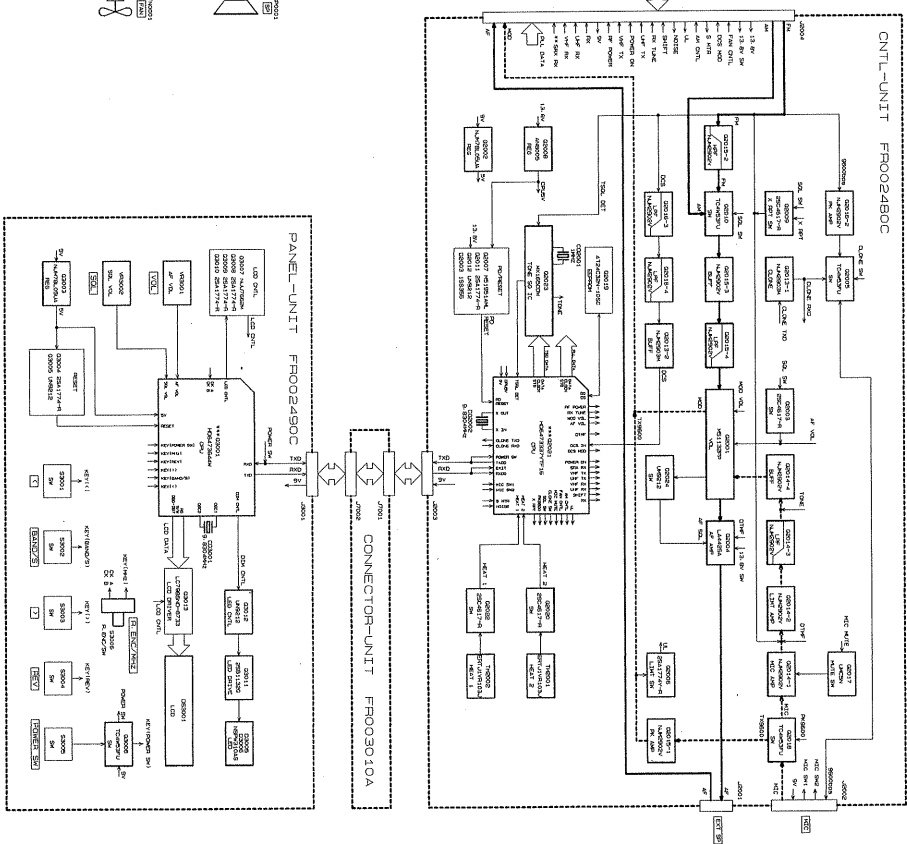
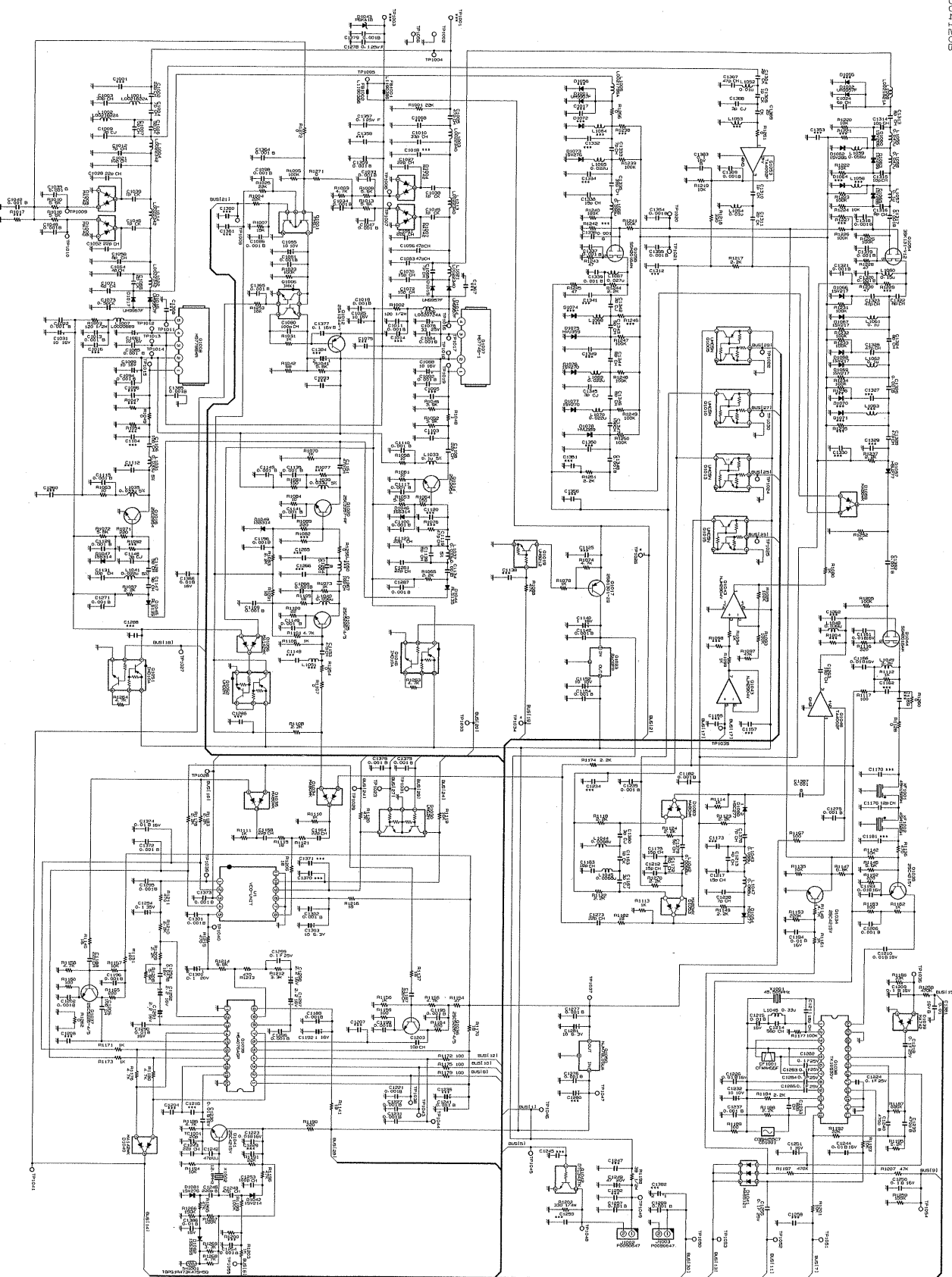


01007	01008	01004	01005	01015	01017
WESTGAL-1	HISTORIAN	MA124	MA124	UNIVERSITY	UNIVERSITY



$f_{u1} = 144-148 \text{ MHz}$ $f_{u2} = 430-450 \text{ MHz}$ → RX LINE
 $f_{u3} = 100-230 \text{ MHz}$ $f_{u4} = 300-530 \text{ MHz}$ → TX LINE
 $f_{u5} = f_{u6} + f_{u7} \text{ MHz}$ $f_{u8} = f_{u9} - f_{u10} \text{ MHz}$ → COMMON LINE
 $f_{u11} = 45.05 \text{ MHz}$
 $f_{u12} = 810-824 \text{ MHz}$ $f_{u13} = 27 \text{ MHz}$
 $f_{u14} = 849-869 \text{ MHz}$
 $f_{u15} = 894-999, 975 \text{ MHz}$

MAIN-UNIT
FRO04120B



MA111	13 30 30
MA112	30 30 30
MA113	30 30 30
MA114	30 30 30
MA115	30 30 30
MA116	30 30 30
MA117	30 30 30
MA118	30 30 30
MA119	30 30 30
MA120	30 30 30
MA121	30 30 30
MA122	30 30 30
MA123	30 30 30
MA124	30 30 30
MA125	30 30 30
MA126	30 30 30
MA127	30 30 30
MA128	30 30 30
MA129	30 30 30
MA130	30 30 30
MA131	30 30 30
MA132	30 30 30
MA133	30 30 30
MA134	30 30 30
MA135	30 30 30
MA136	30 30 30
MA137	30 30 30
MA138	30 30 30
MA139	30 30 30
MA140	30 30 30
MA141	30 30 30
MA142	30 30 30
MA143	30 30 30
MA144	30 30 30
MA145	30 30 30
MA146	30 30 30
MA147	30 30 30
MA148	30 30 30
MA149	30 30 30
MA150	30 30 30