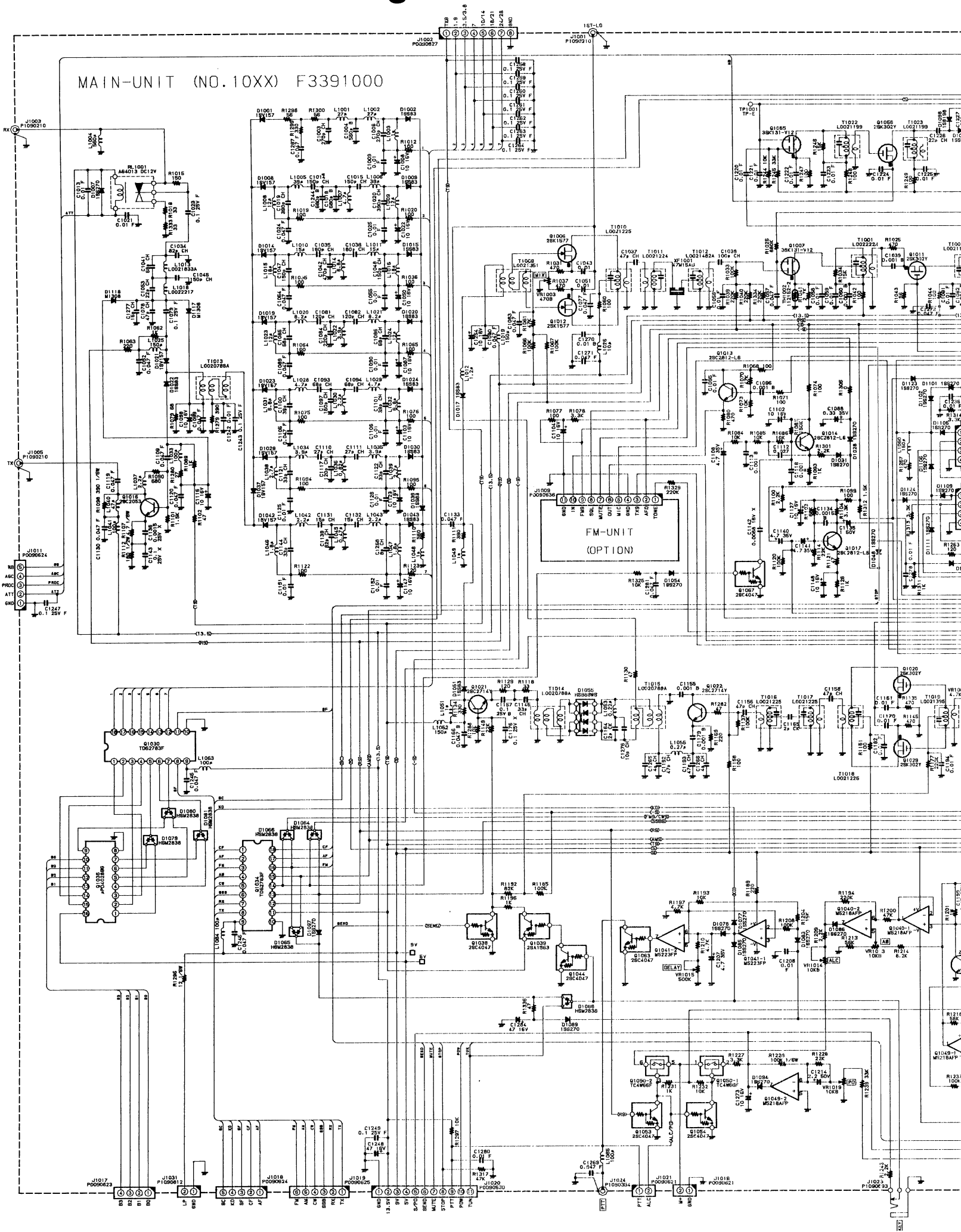
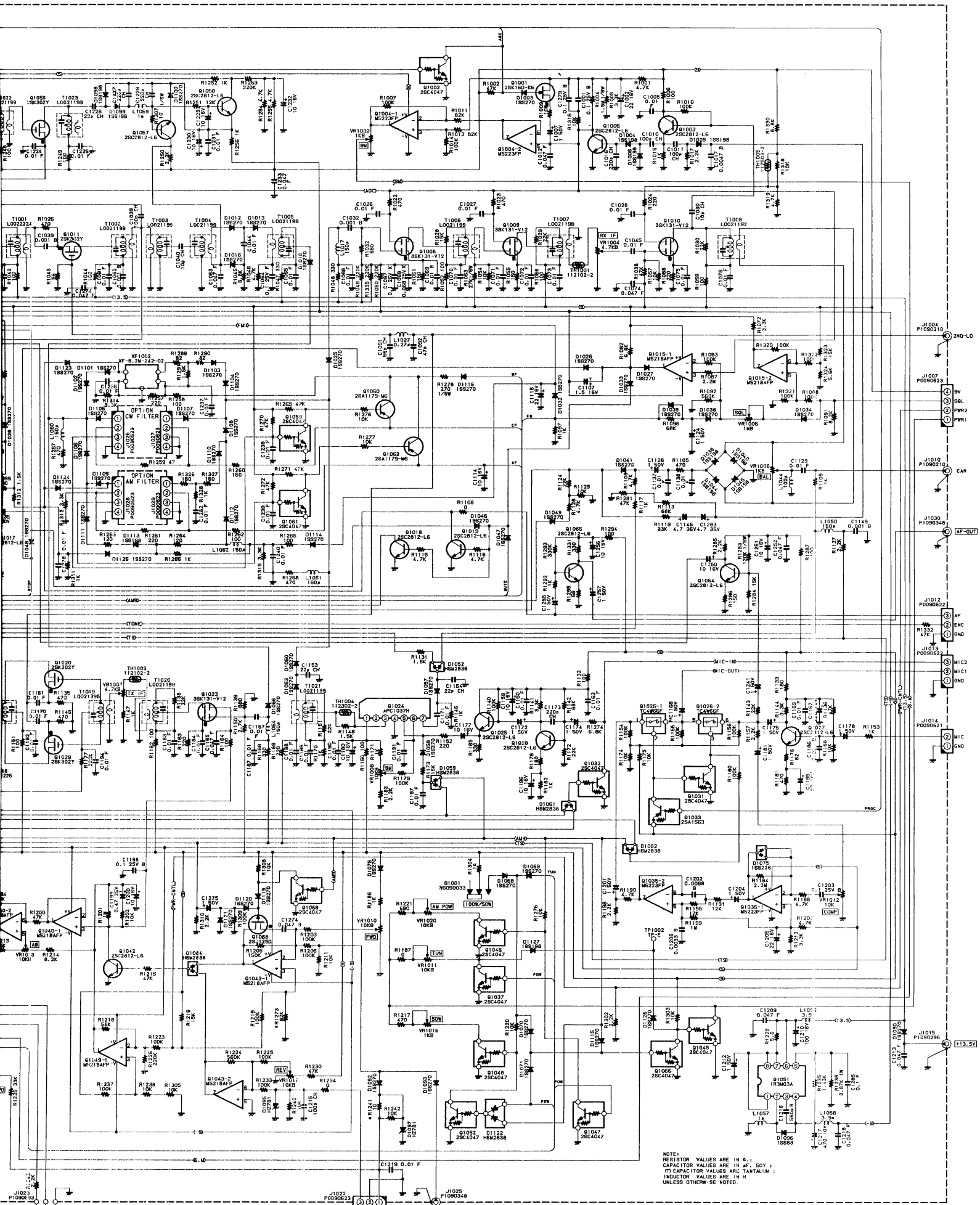


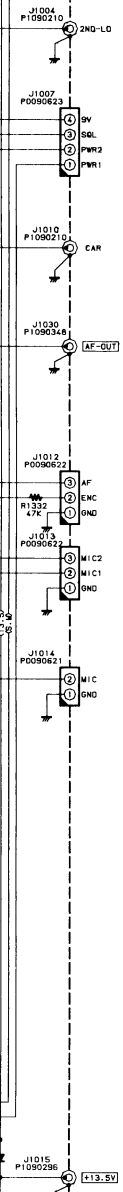
NOTE:
 RESISTOR VALUES ARE IN Ω
 CAPACITOR VALUES ARE IN μF. 50V ;
 UNLESS OTHERWISE NOTED.

FT-840 Circuit Diagram

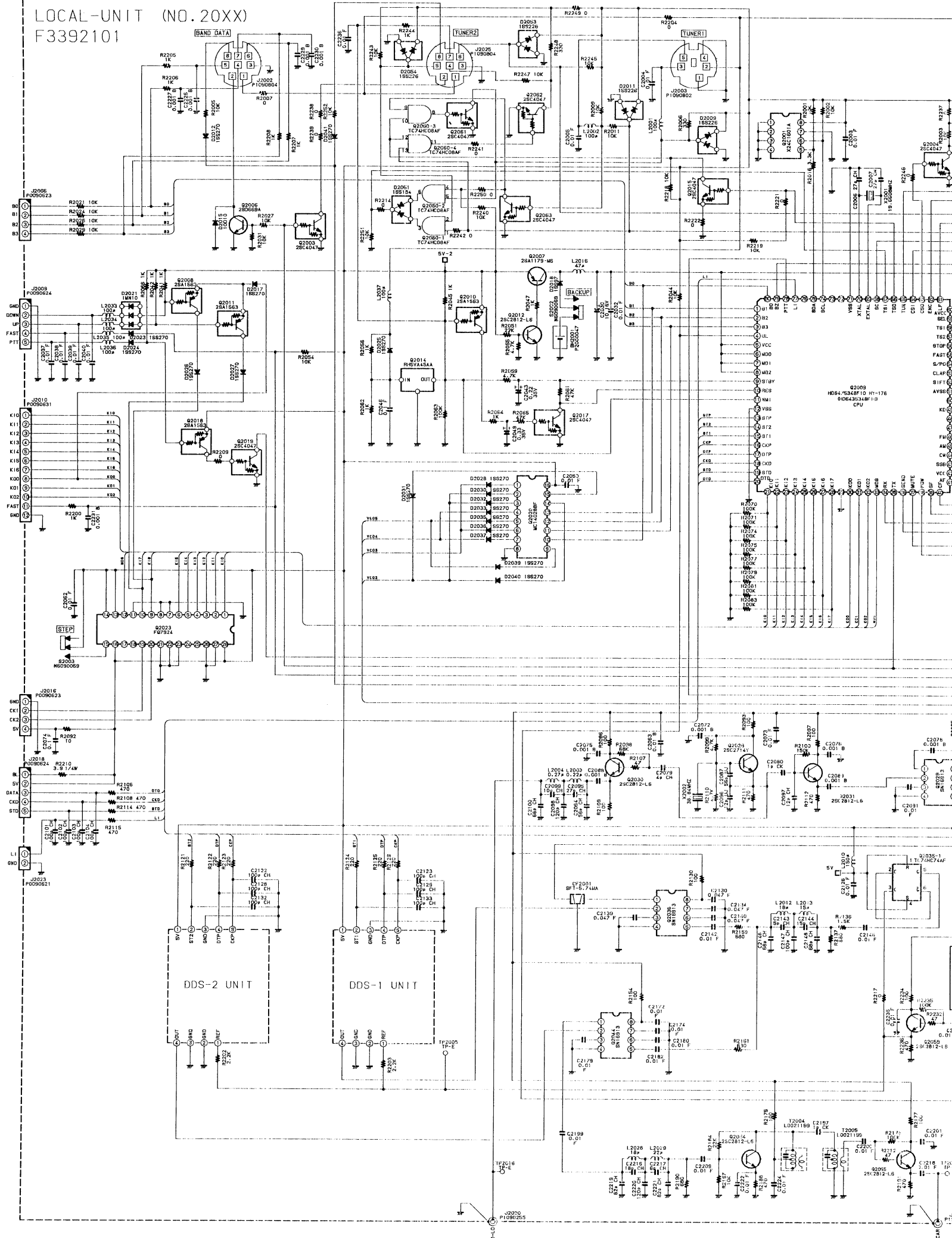


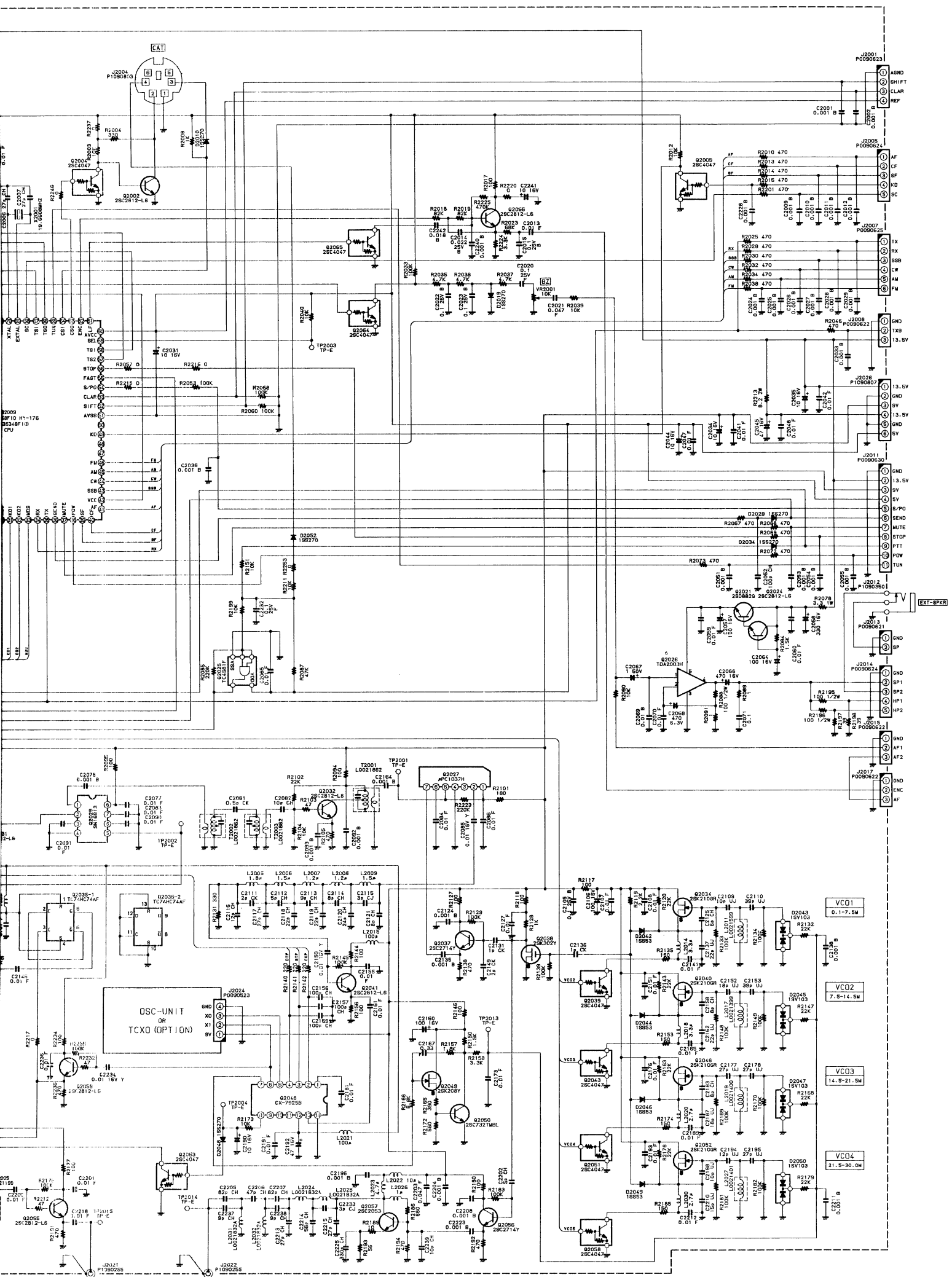


NOTE:
 RESISTOR VALUES ARE IN Ω;
 CAPACITOR VALUES ARE IN μF, 50V;
 (T) CAPACITOR VALUES ARE TANTALUM;
 INDUCTOR VALUES ARE IN H
 UNLESS OTHERWISE NOTED.

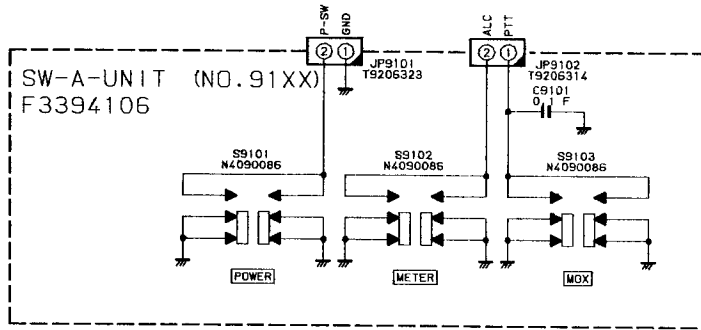


LOCAL-UNIT (NO.20XX)
F3392101

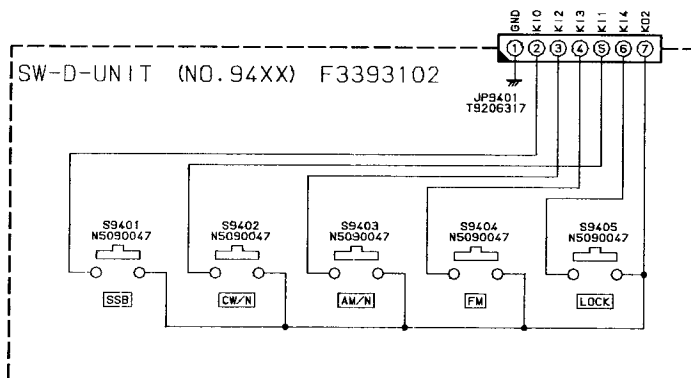
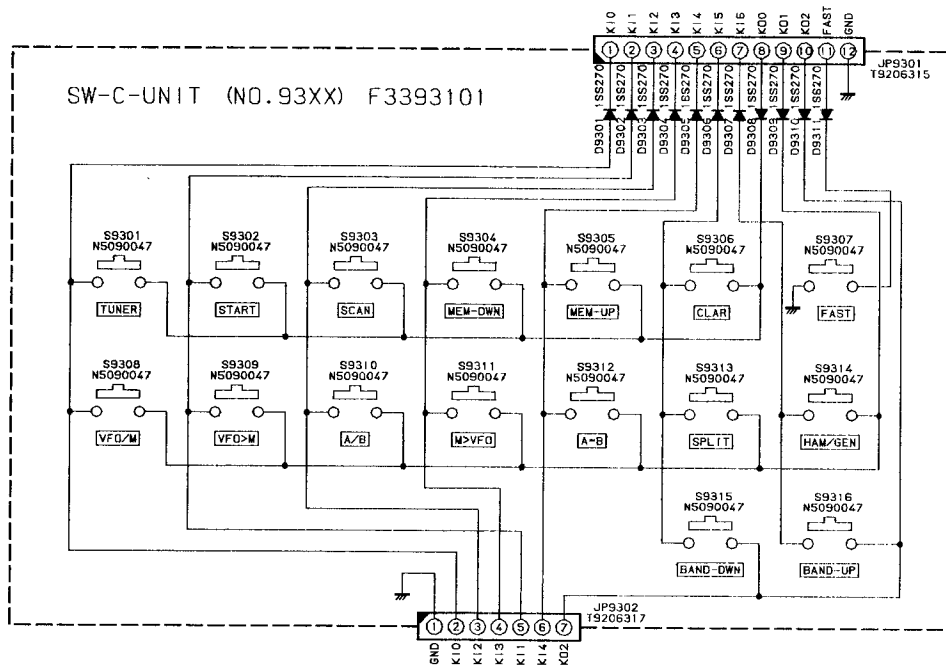
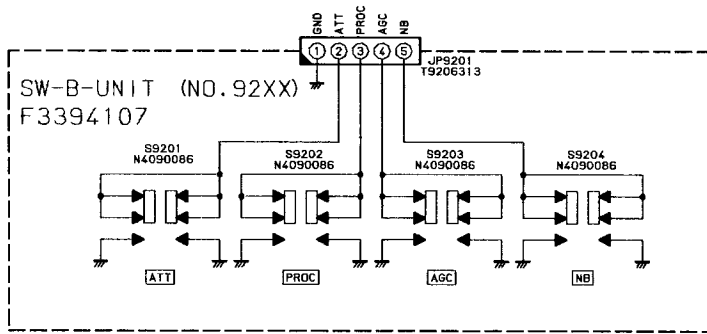


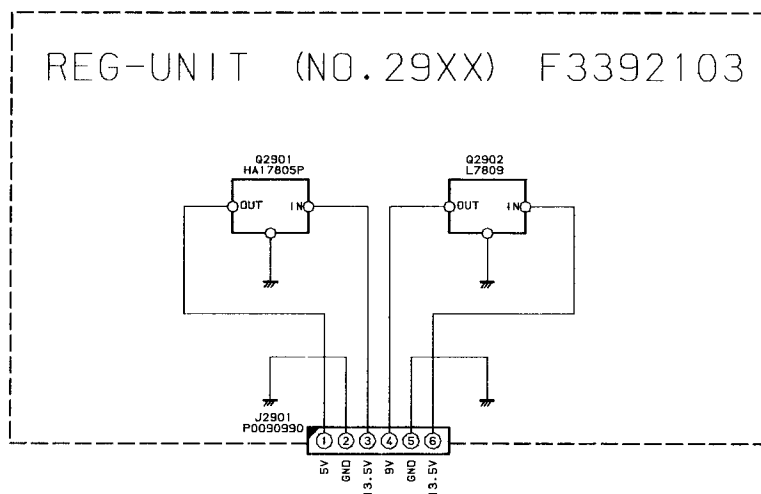
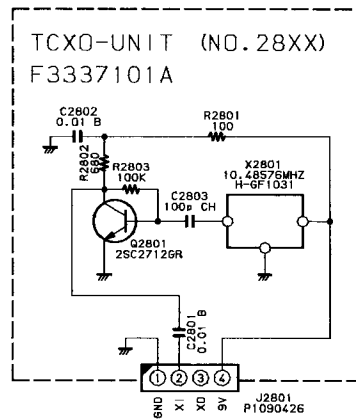
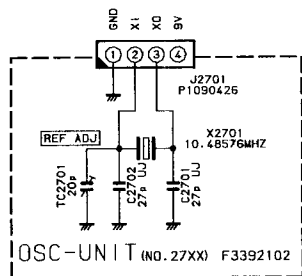
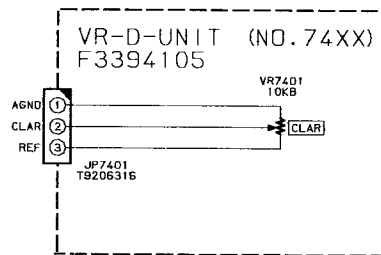
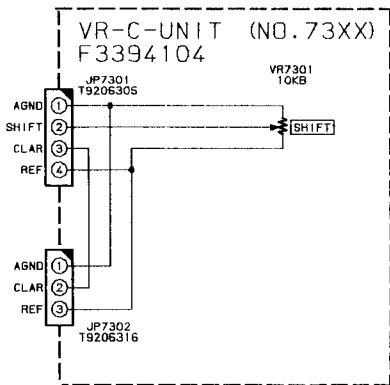
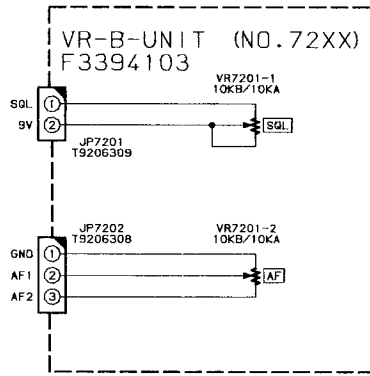
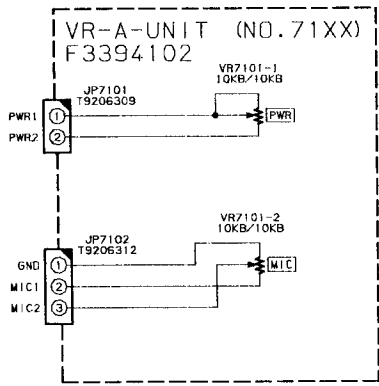


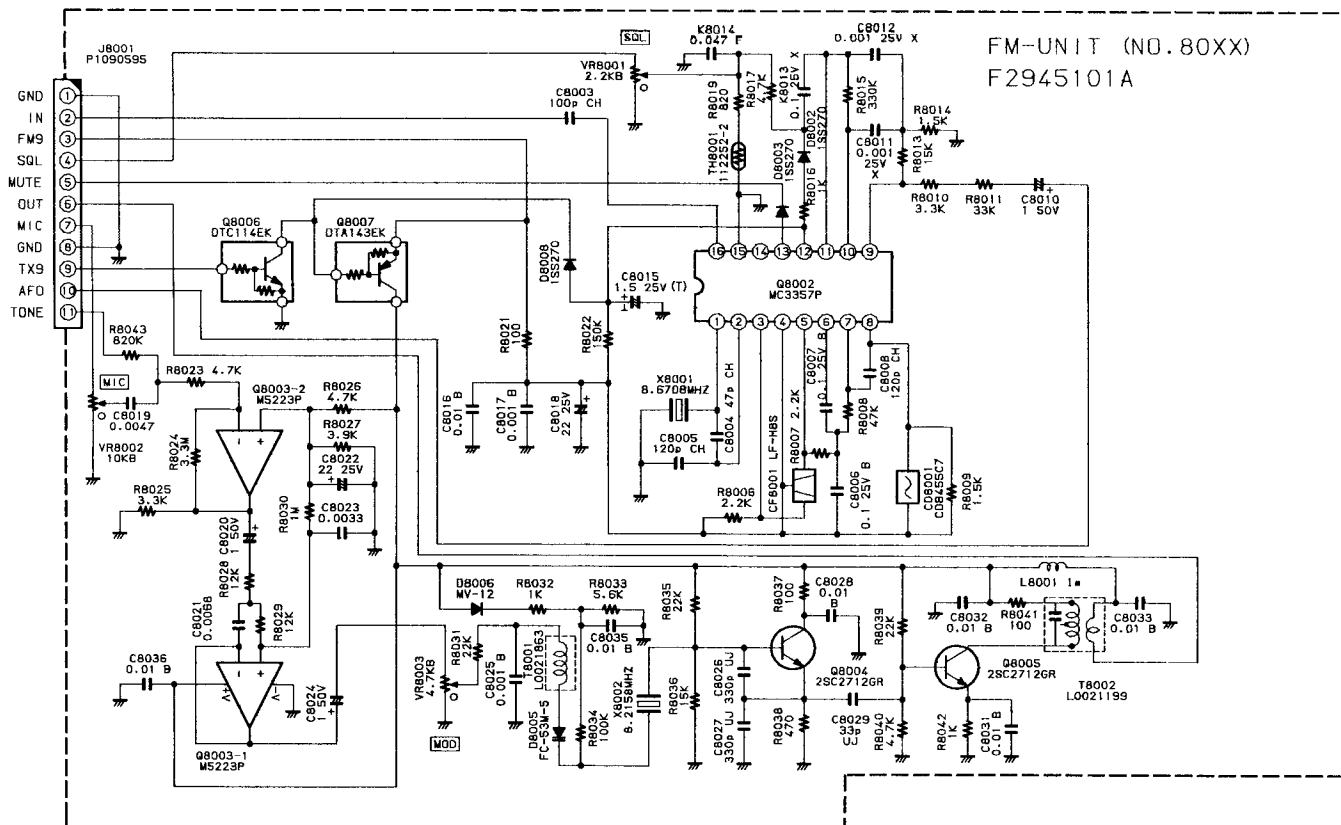
NOTE:
 RESISTOR VALUES ARE IN Ω.
 CAPACITOR VALUES ARE IN μF, 50V;
 (D) CAPACITOR VALUES ARE TANTALUM;
 INDUCTOR VALUES ARE IN μH
 UNLESS OTHERWISE NOTED.



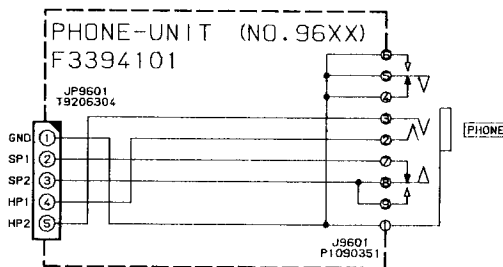
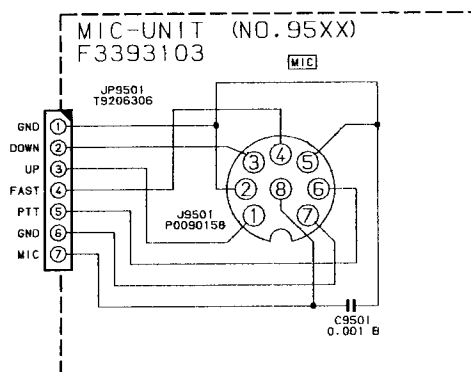
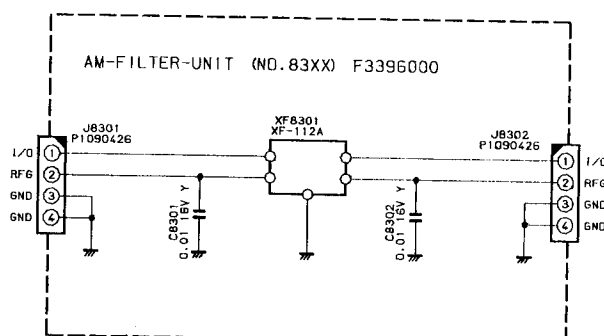
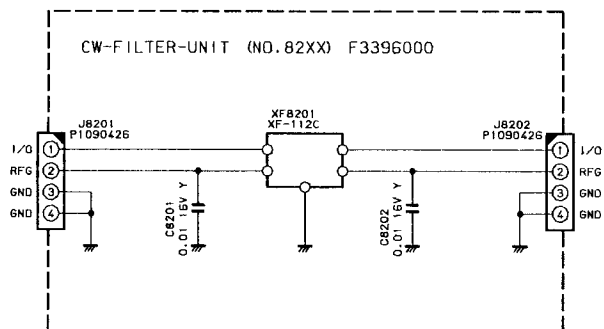
NOTE:
RESISTOR VALUES ARE IN Ω



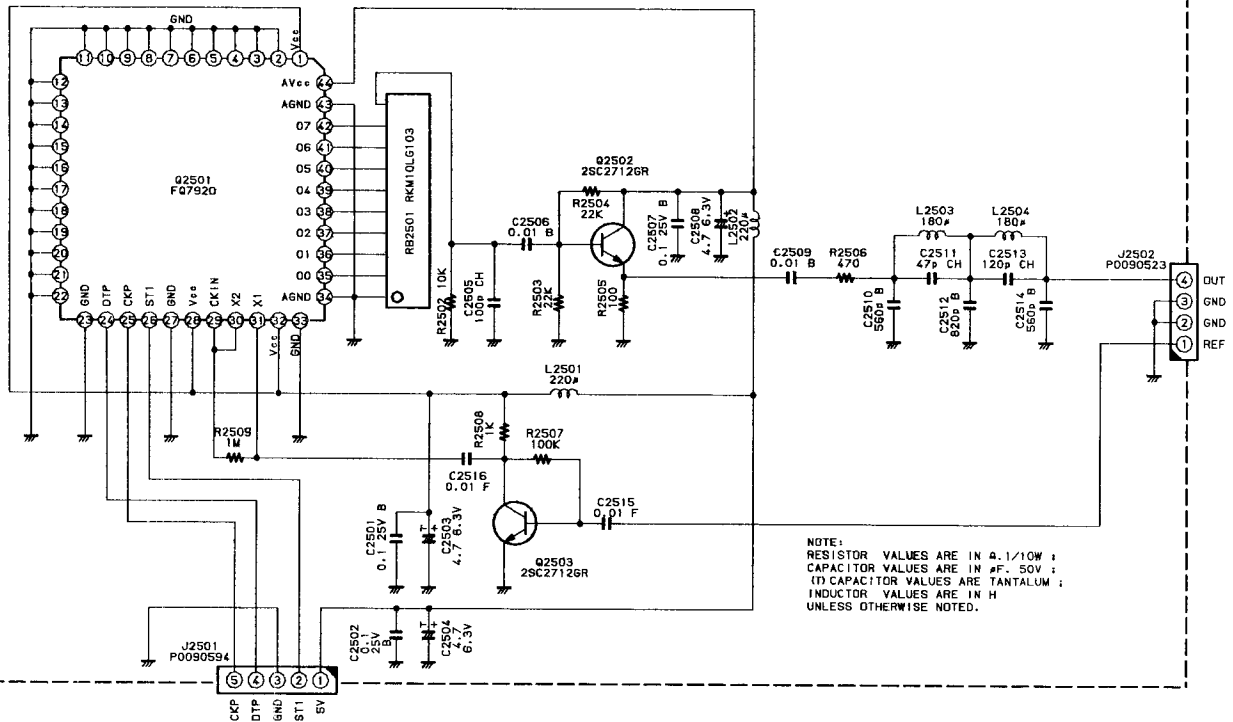




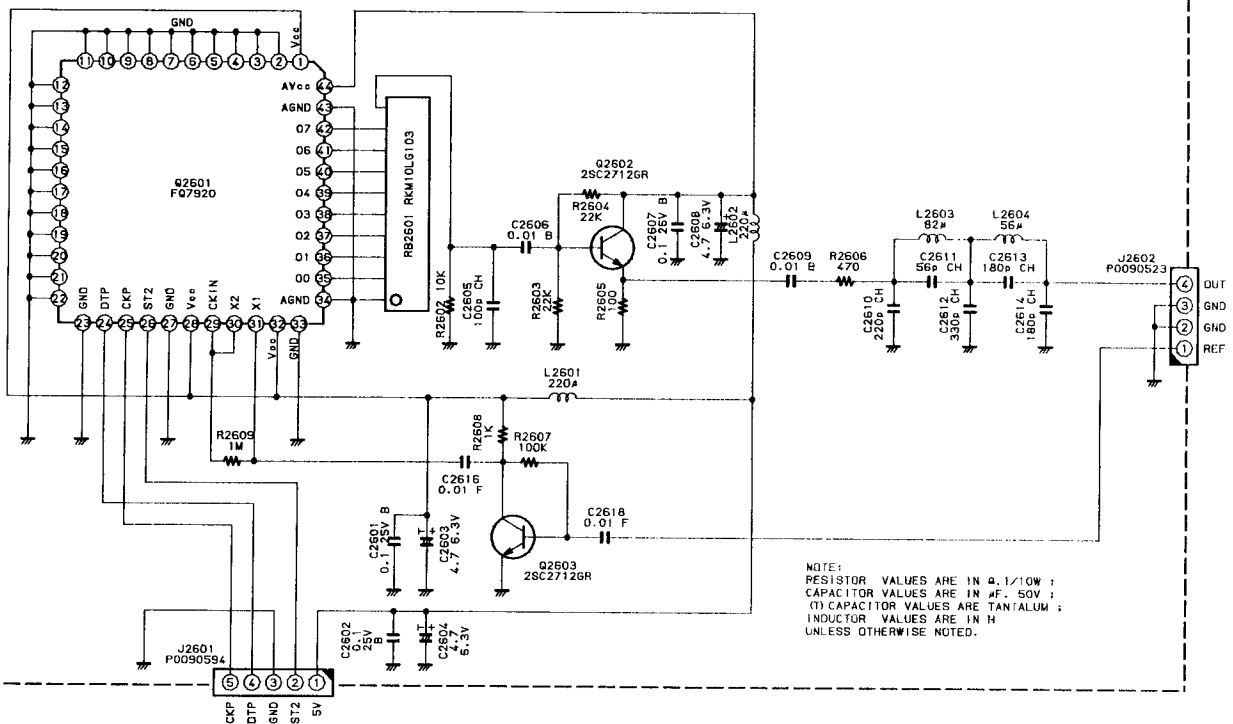
NOTE:
RESISTOR VALUES ARE IN Ω , 1/10W ;
CAPACITOR VALUES ARE IN μ F, 50V ;
(T) CAPACITOR VALUES ARE TANTALUM ;
INDUCTOR VALUES ARE IN H
UNLESS OTHERWISE NOTED.

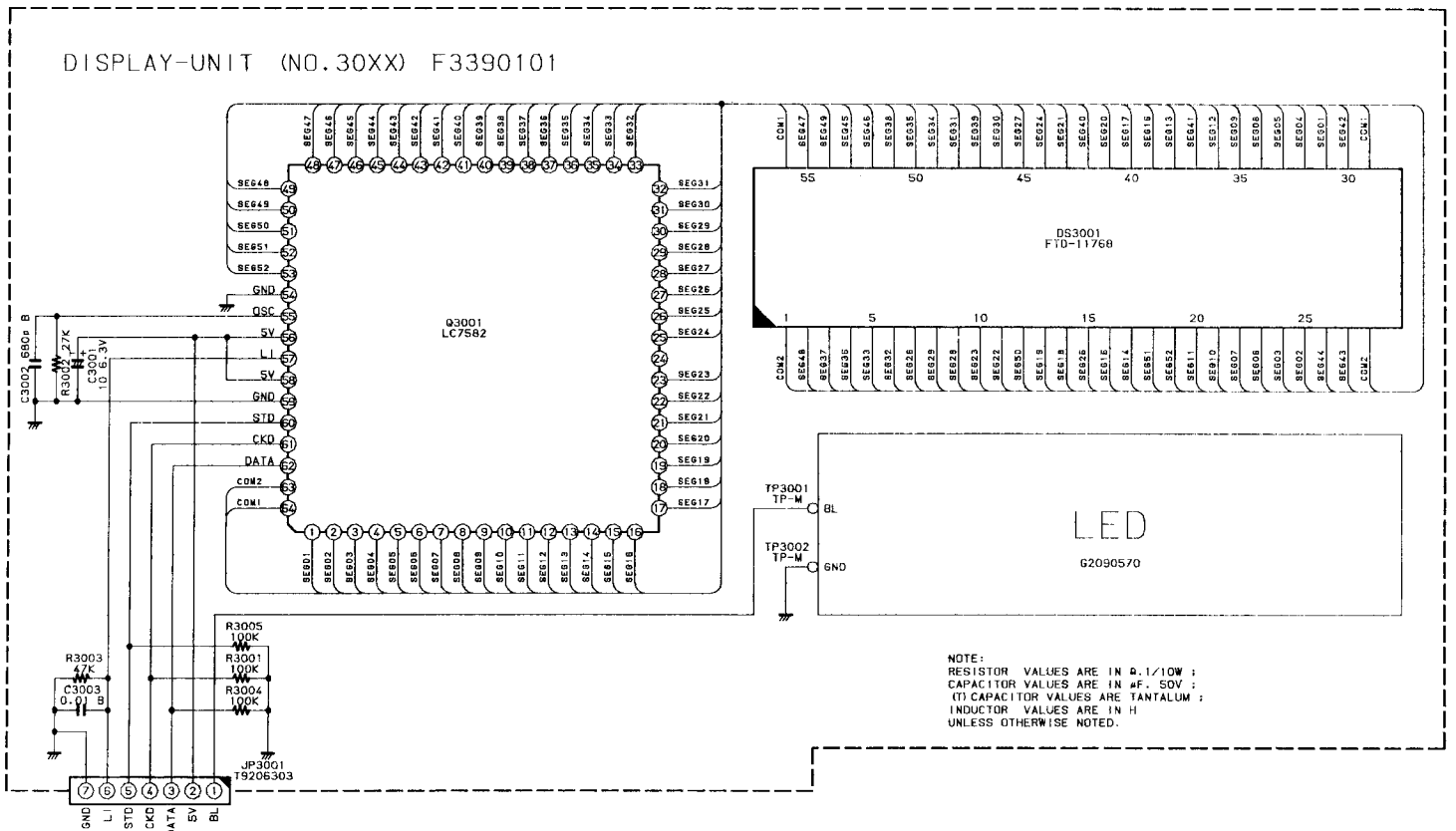
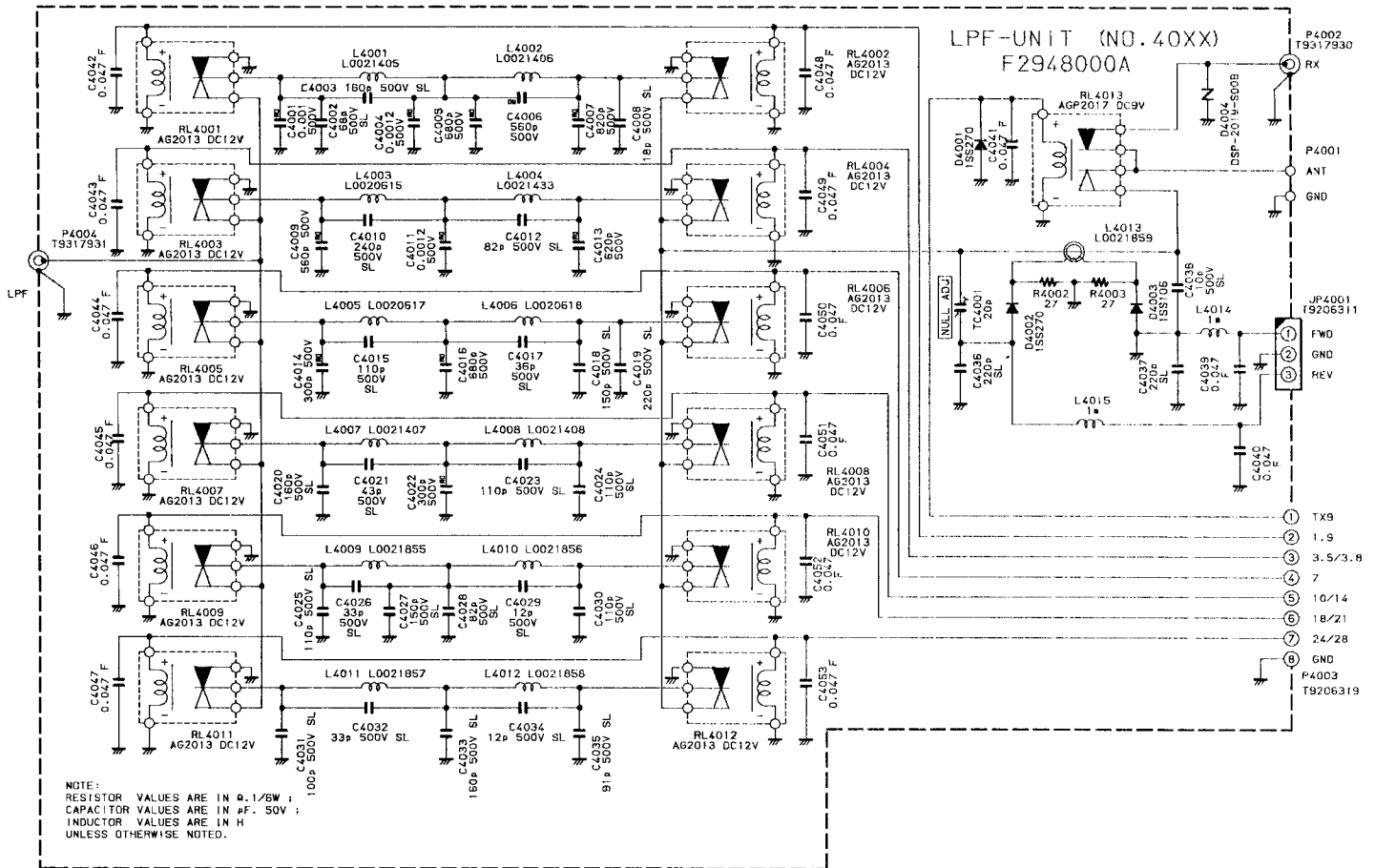


DDS-1-UNIT (NO. 25XX)
F3335101



DDS-2-UNIT (NO. 26XX)
F3334101





100WPA-UNIT (NO. 50XX)
F3395000

