

MAIN UNIT F2935101  
(No. 1xxx)

PA UNIT F2935102 (No. 7xx)

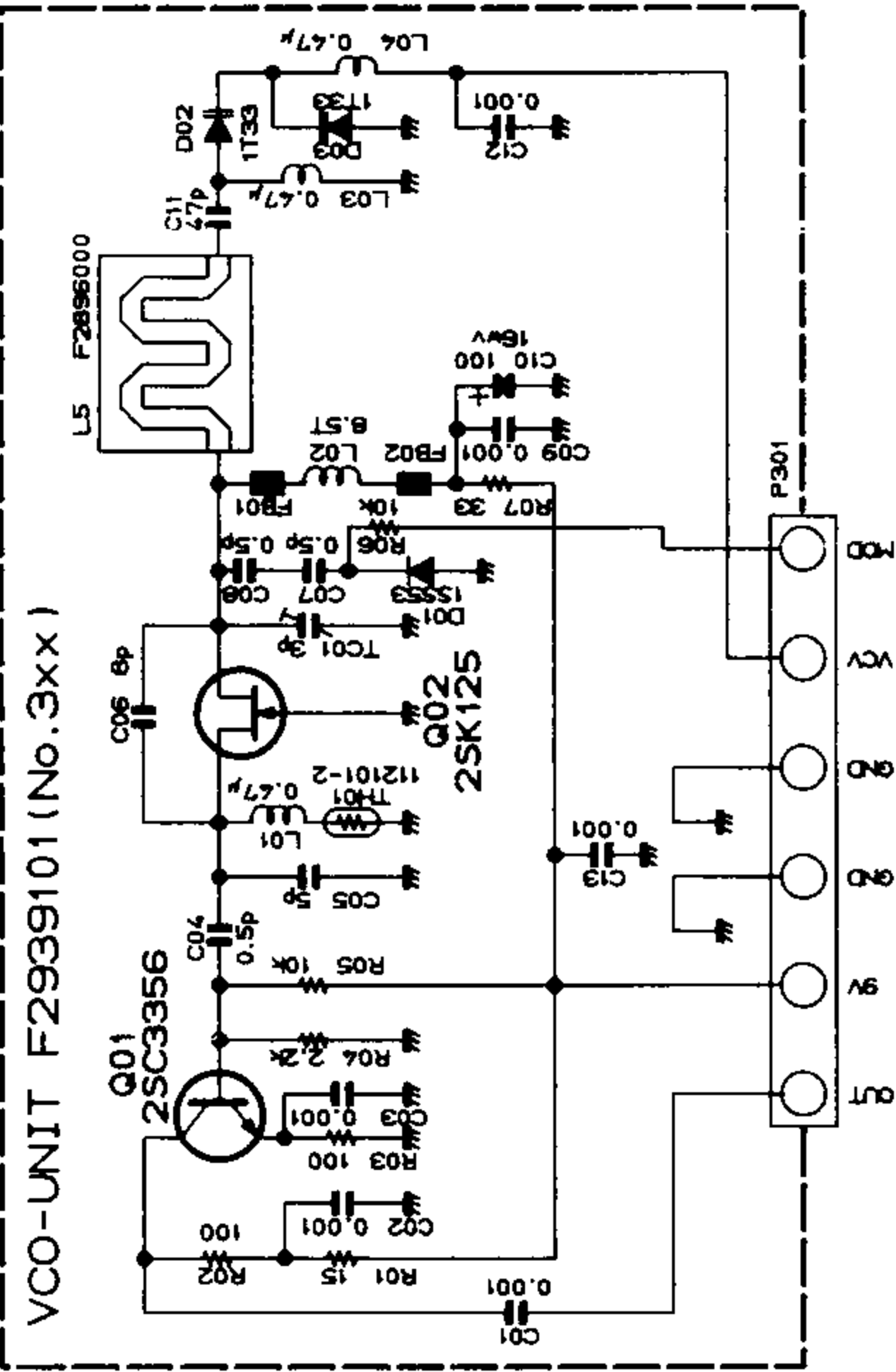
PA UNIT F2935102 (No. 7xx)

|             |             |             |             |             |
|-------------|-------------|-------------|-------------|-------------|
| Q01         | Q02         | C07         | C14         | C18         |
| 35W M57704H | 10W M57704H | 10W M57704H | 10W M57704H | 10W M57704H |
| D02         | D03         | D04         | D05         | D06         |
| 1N4001      | 1N4001      | 1N4001      | 1N4001      | 1N4001      |
| L01         | L02         | L03         | L04         | L05         |
| 10W M57704H | 10W M57704H | 10W M57704H | 10W M57704H | 10W M57704H |

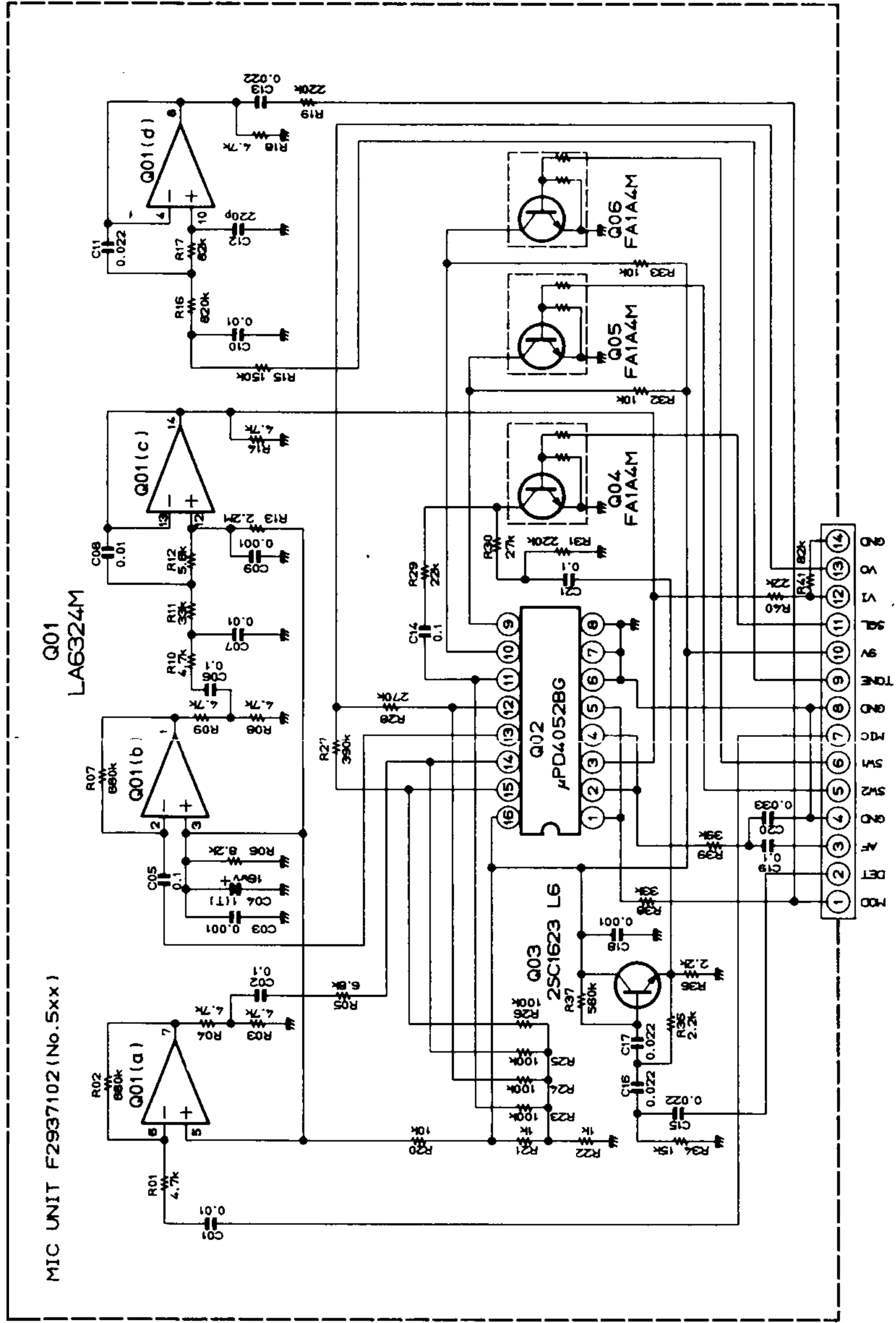
RESISTOR VALUES ARE IN  $\Omega$ , 1/10W;  
CAPACITOR VALUES ARE IN  $\mu$ F, 50V;  
INDUCTOR VALUES ARE IN H;  
ELECTROLYTIC CAPACITOR VALUES ARE IN  $\mu$ F, 10WV;  
UNLESS OTHERWISE NOTED.

RESISTOR VALUES ARE IN  $\Omega$ , 1/10W;  
CAPACITOR VALUES ARE IN  $\mu$ F, 50V;  
UNLESS OTHERWISE NOTED.  
(T) CAPACITOR ARE TANTALUM.

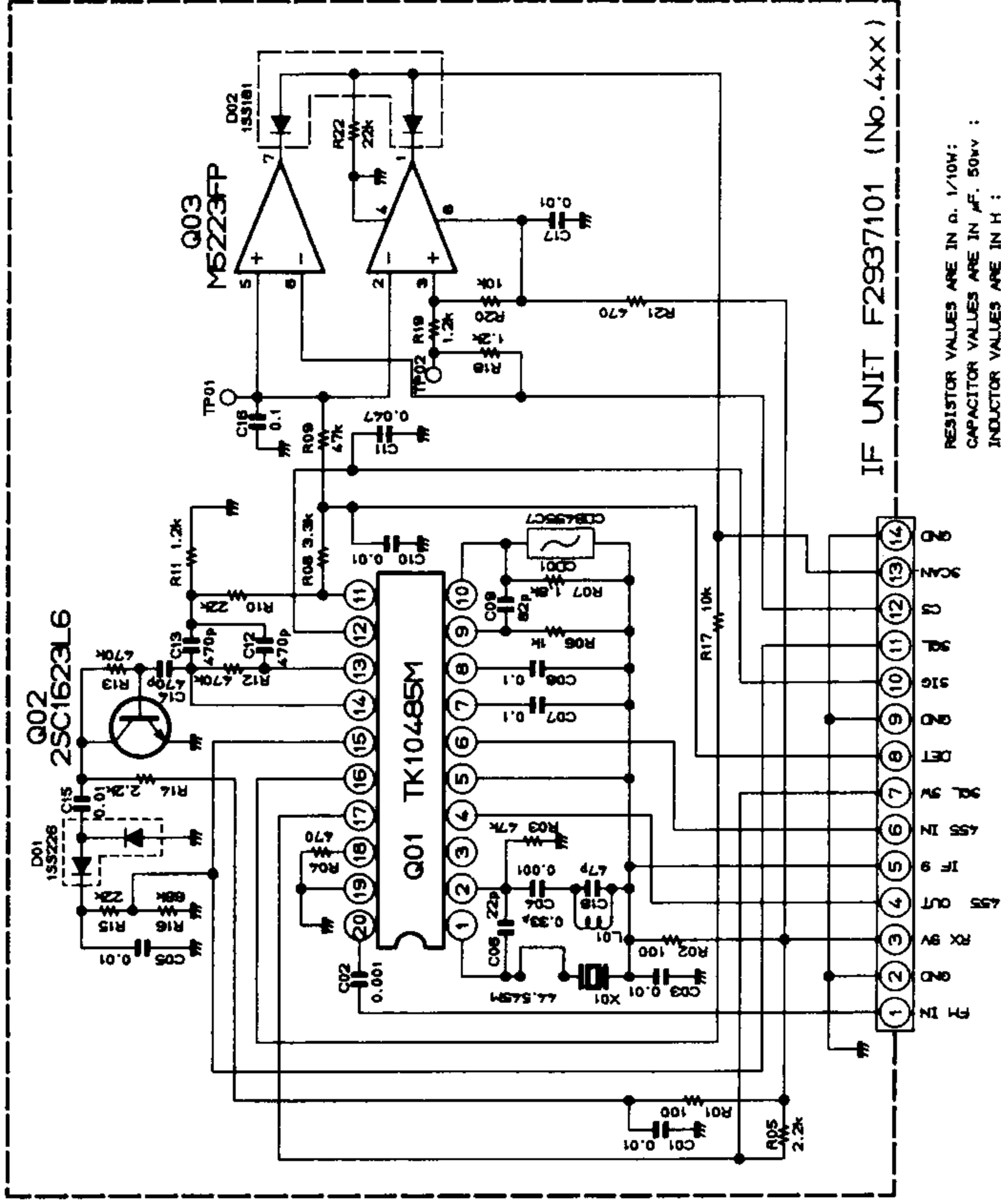
# FT-712 Circuit Diagram



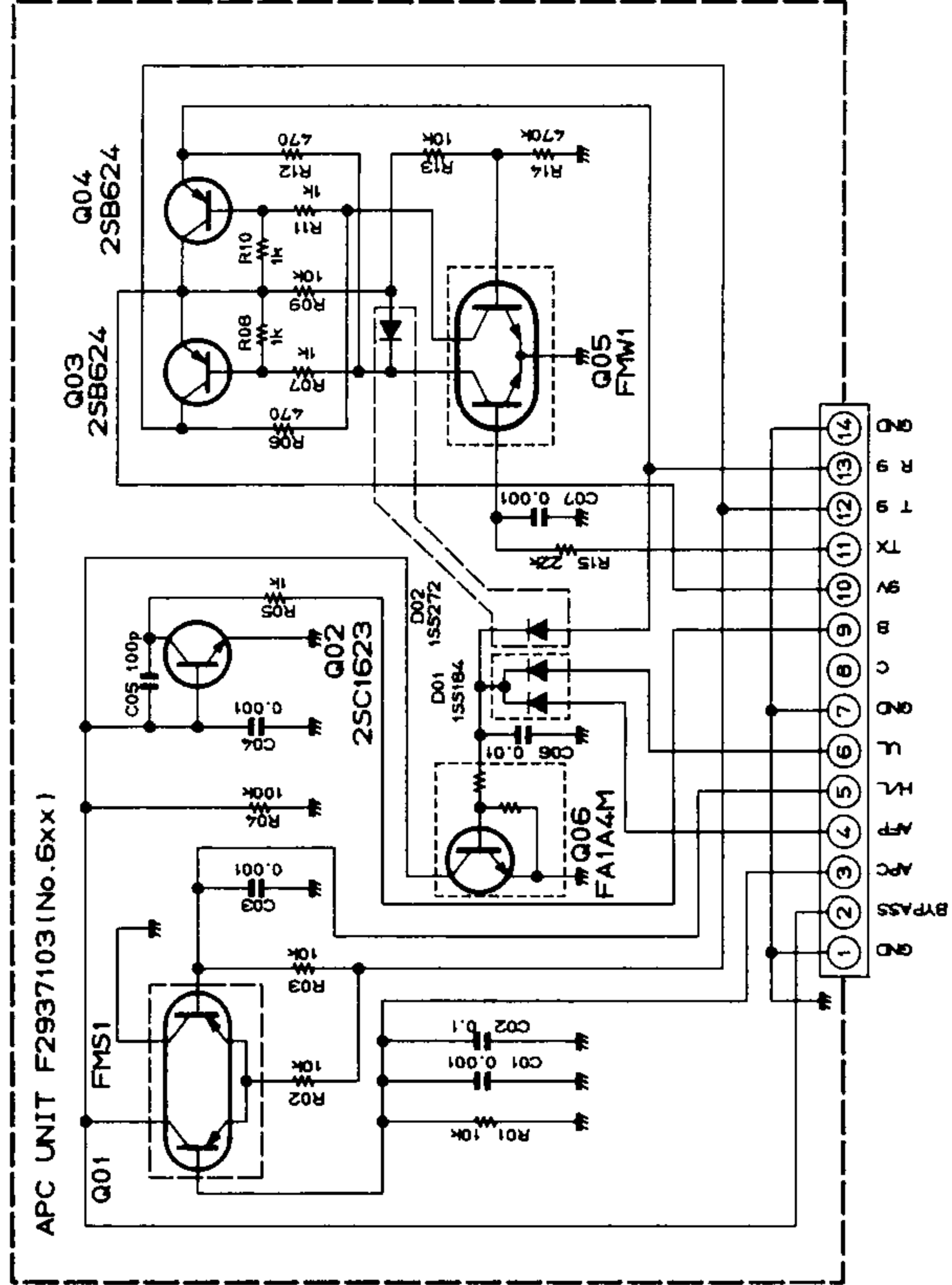
RESISTOR VALUES ARE IN  $\Omega$ , 1/10W;  
 CAPACITOR VALUES ARE IN  $\mu$ F, 50V;  
 INDUCTOR VALUES ARE IN H;  
 UNLESS OTHERWISE NOTED.

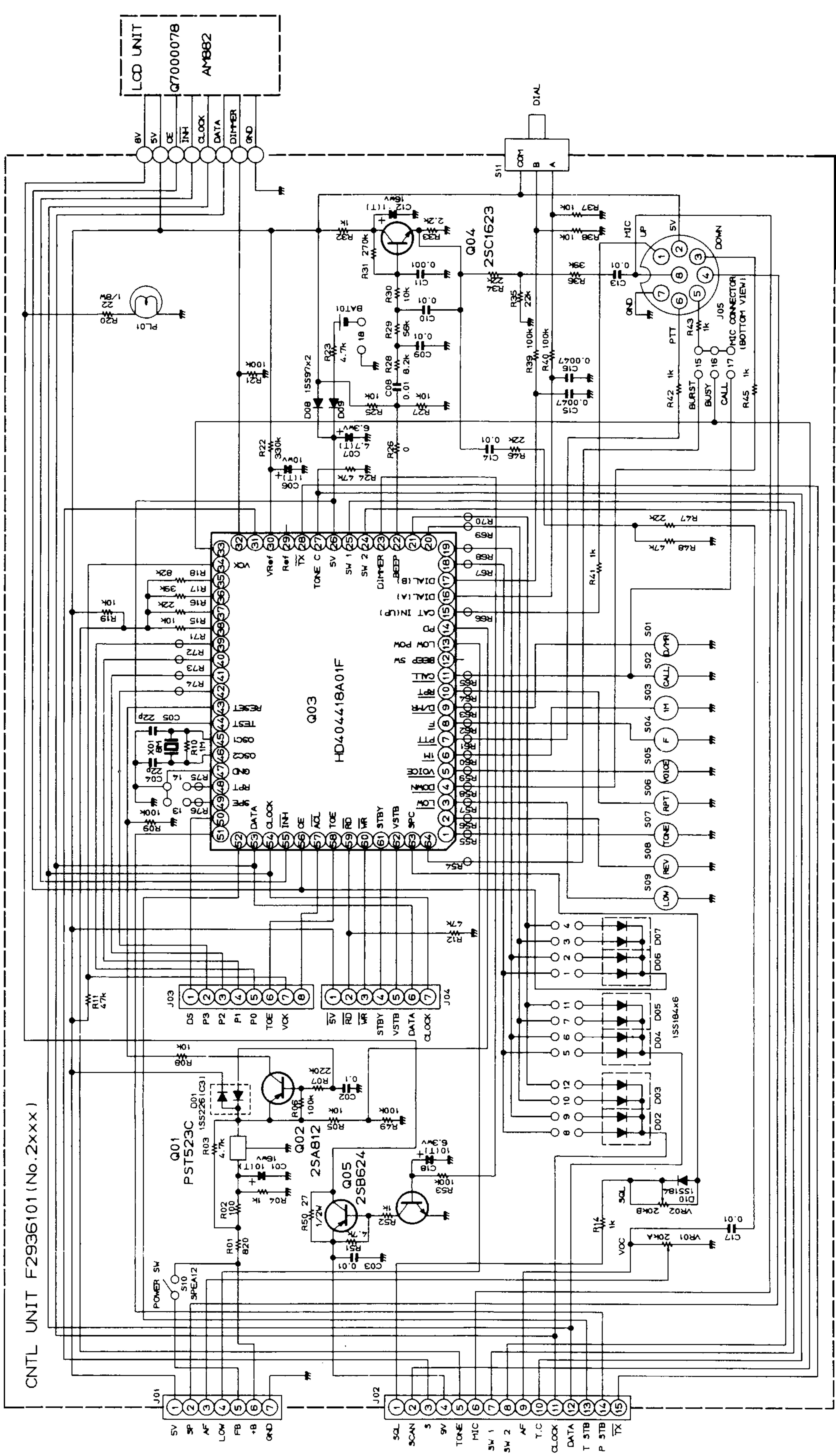


RESISTOR VALUES ARE IN  $\Omega$ , 1/10W;  
 CAPACITOR VALUES ARE IN  $\mu$ F, 50V;  
 UNLESS OTHERWISE NOTED.



RESISTOR VALUES ARE IN  $\Omega$ , 1/10W;  
 CAPACITOR VALUES ARE IN  $\mu$ F, 50V;  
 INDUCTOR VALUES ARE IN H;  
 UNLESS OTHERWISE NOTED.





CNTL UNIT F2936101 (No. 2xxx)

RESISTOR VALUES ARE IN Ω, 1/10W;  
 CAPACITOR VALUES ARE IN μF, 50V;  
 UNLESS OTHERWISE NOTED,  
 (T)CAPACITORS ARE TANTALUM.

R54, R58, R61, R65, R66: 22kΩ  
 R55-R57 }  
 R59, R60 } 150kΩ  
 R62-R64 }  
 R67-R76 }  
 R44: OUT OF USE