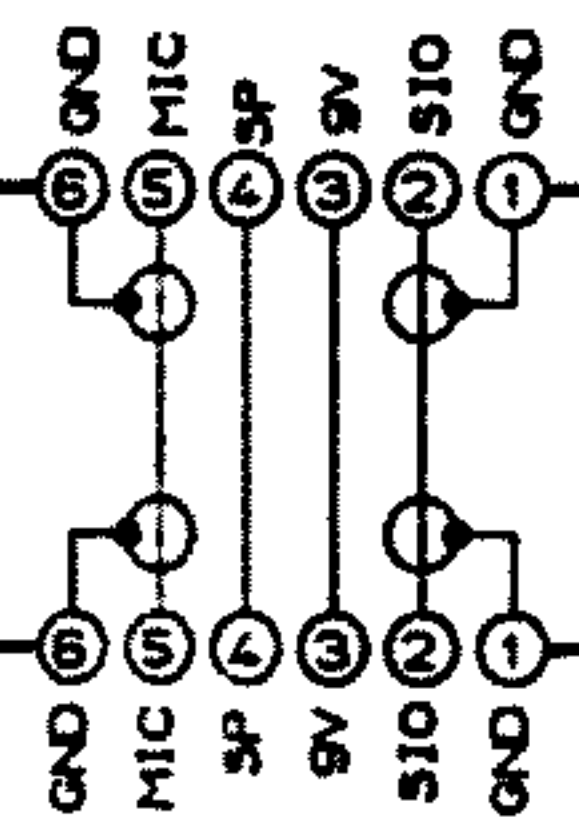


430MHz MAIN UNIT
F2992000 (No.3xxx)

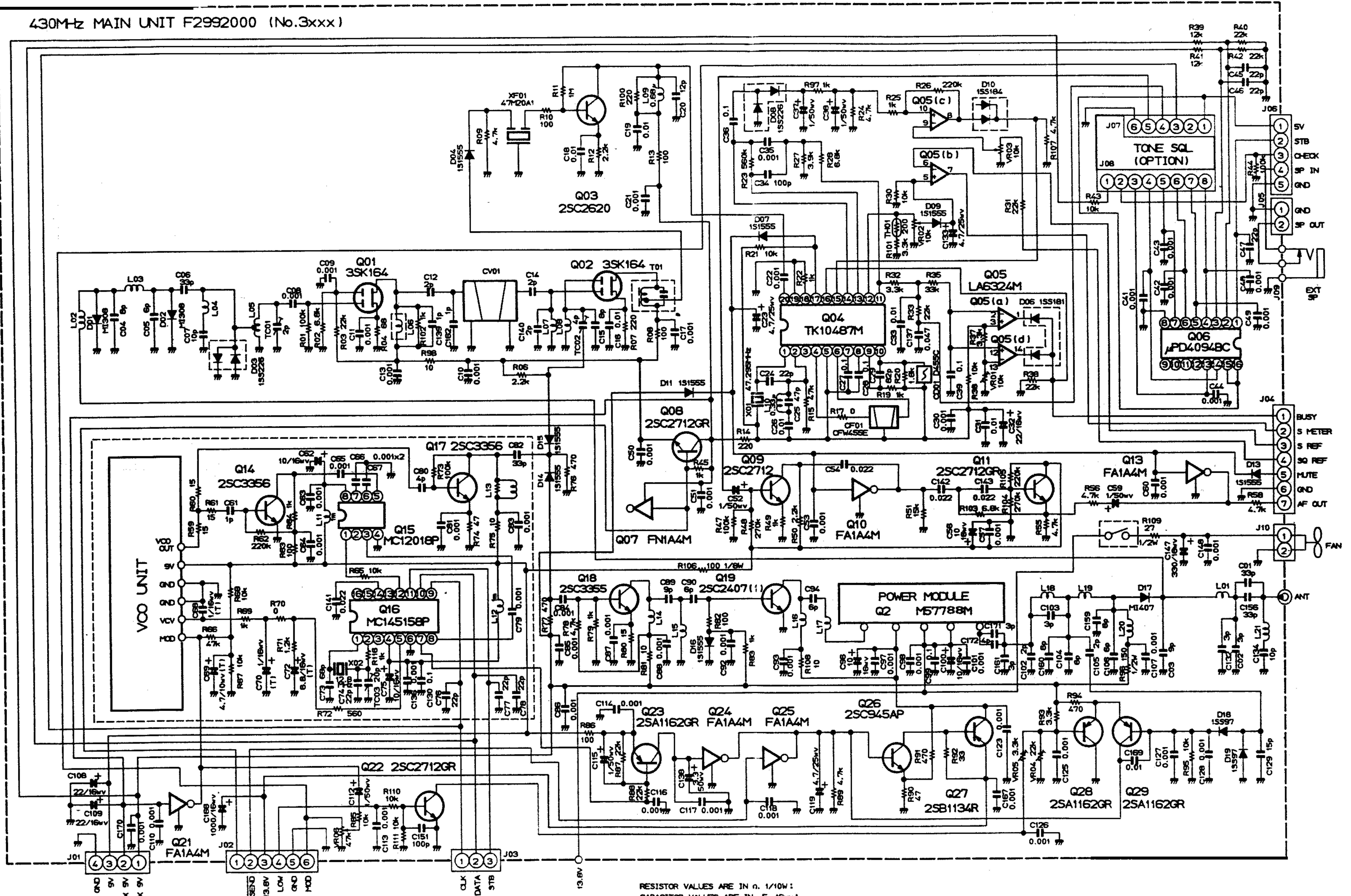
144MHz MAIN UNIT
F2991000 (No.1xxx)

CNTL UNIT F2960101B (No.5xxx)

PANEL UNIT
F2955000A (No.6xxx)

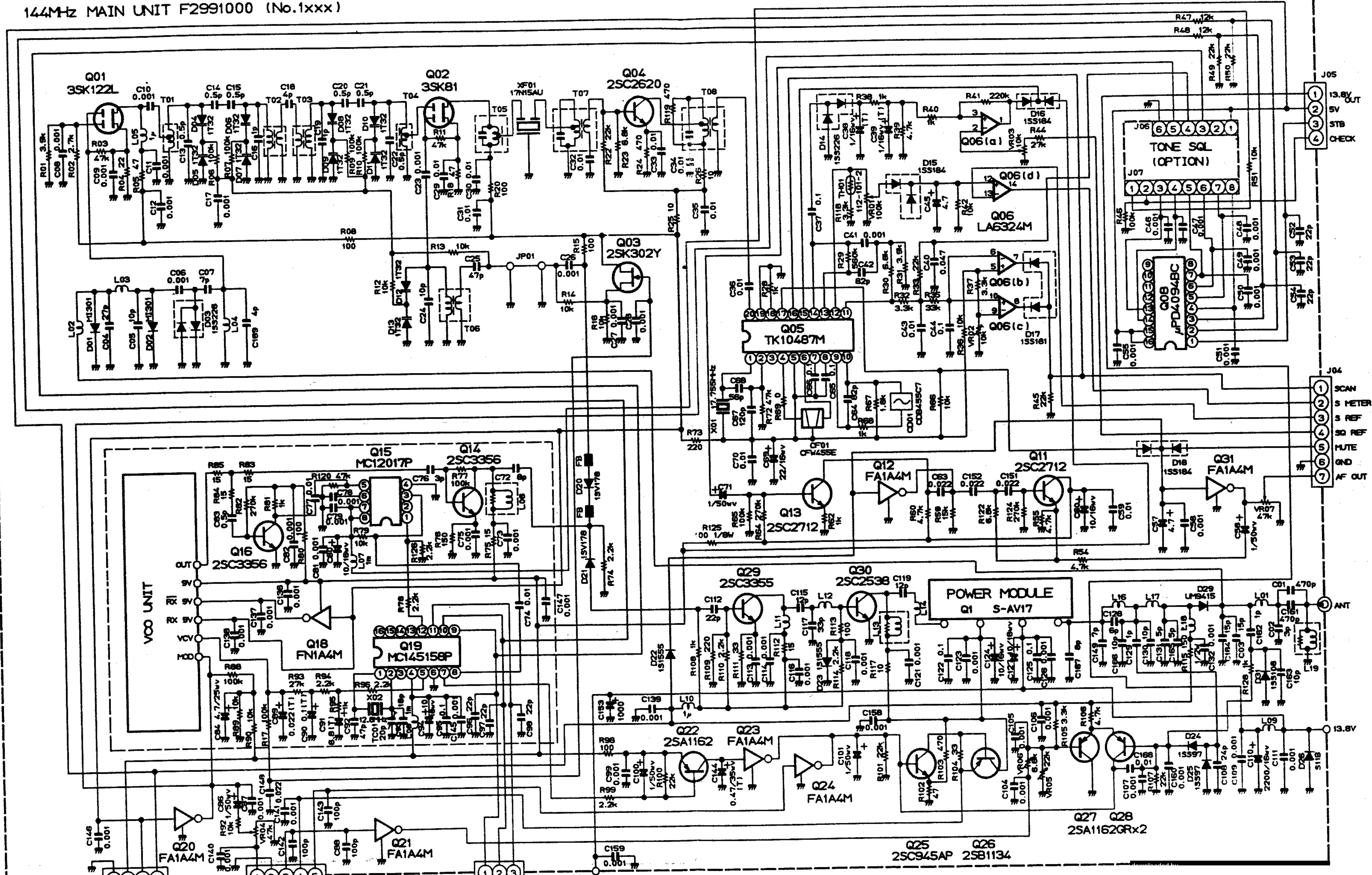


430MHz MAIN UNIT F2992000 (No.3xxx)



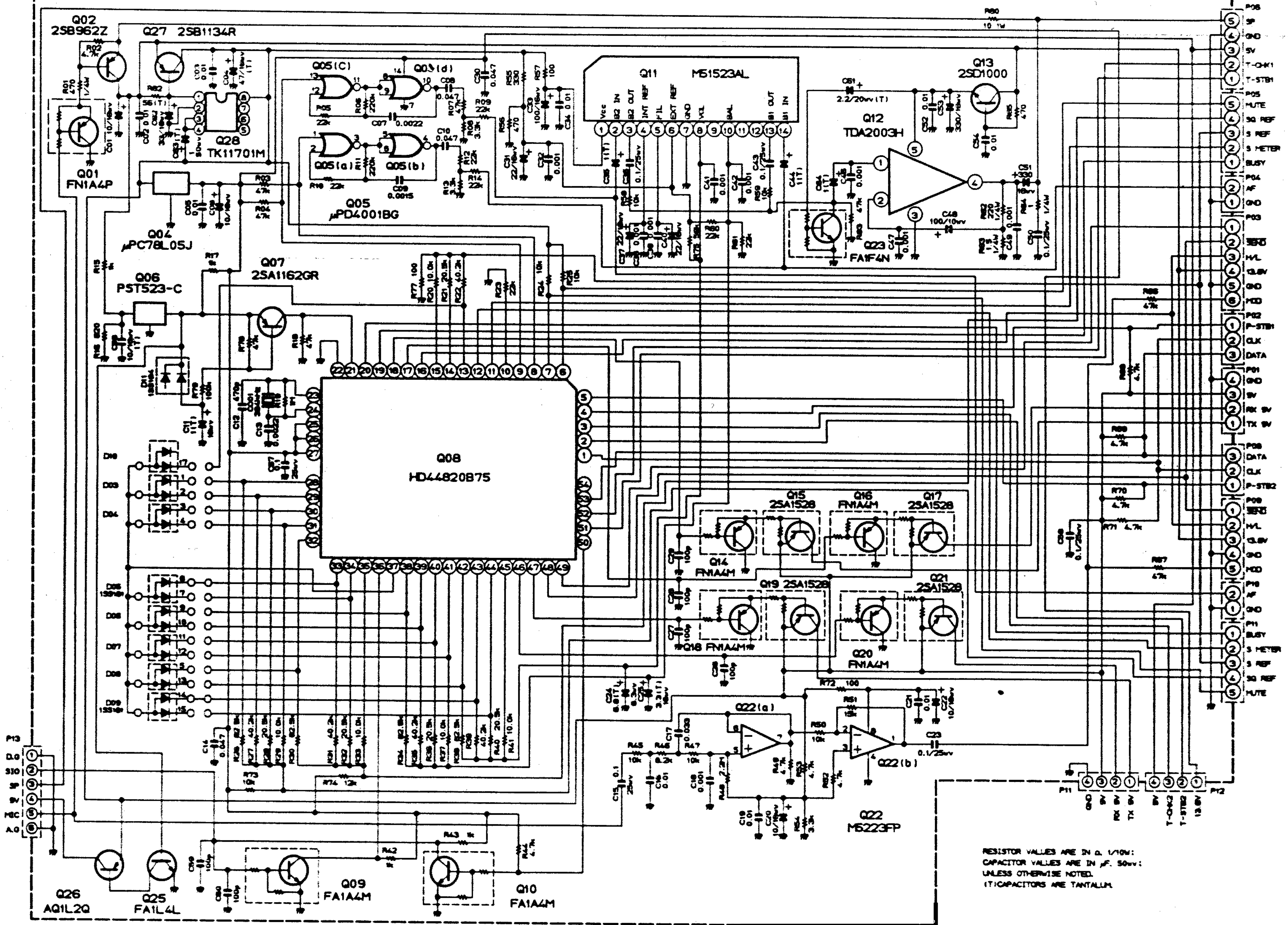
RESISTOR VALUES ARE IN Ω, 1/10W;
 CAPACITOR VALUES ARE IN μF, 16V;
 INDUCTOR VALUES ARE IN HENRIES, UNLESS OTHERWISE NOTED.
 (T) CAPACITORS ARE TANTALUM.

144MHz MAIN UNIT F2991000 (No.1xxx)

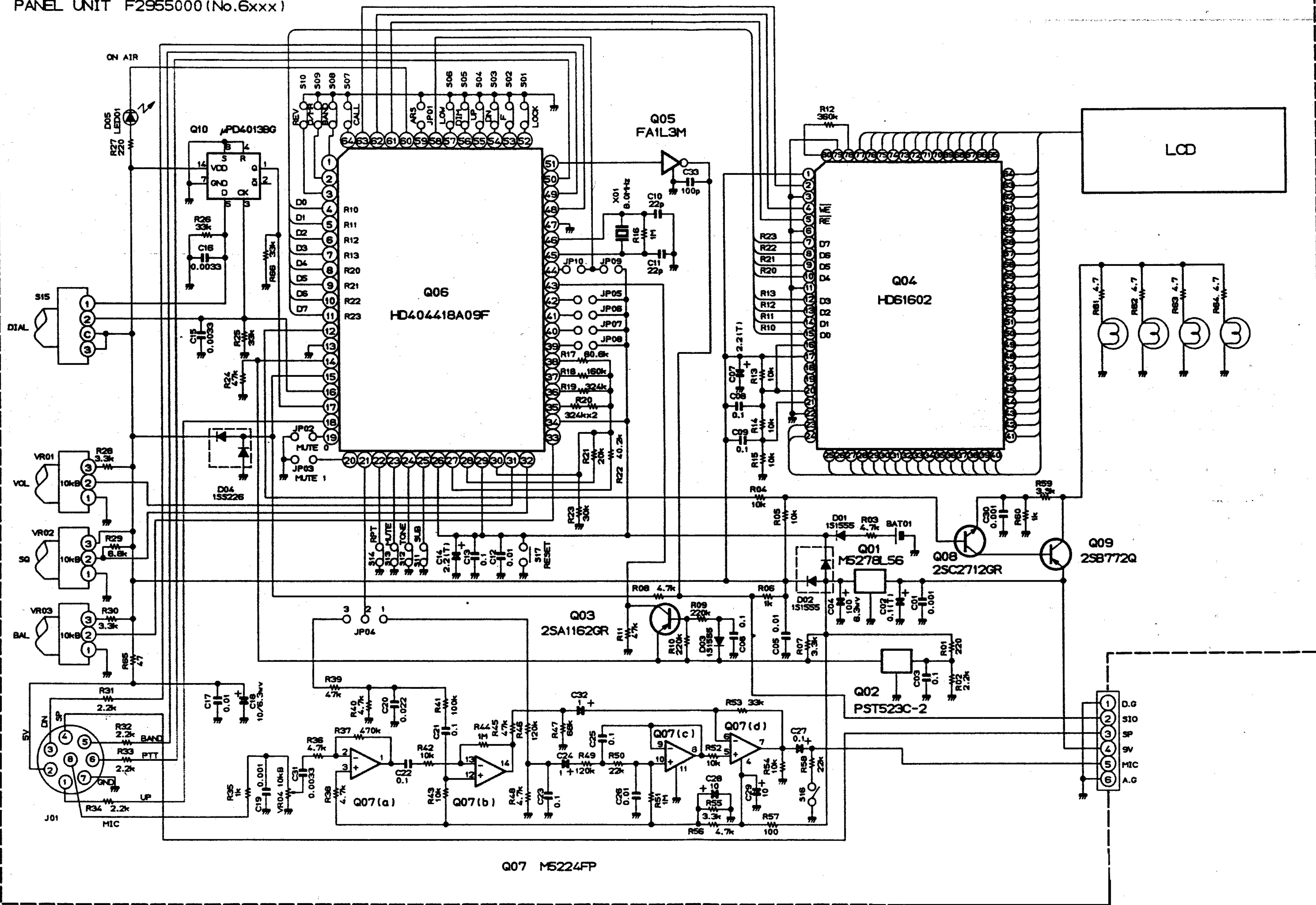


RESISTOR VALUES ARE IN Ω , 1/10W;
 CAPACITOR VALUES ARE IN μ F, 16WV;
 INDUCTOR VALUES ARE IN HENRIES, UNLESS OTHERWISE NOTED.
 (T) CAPACITORS ARE TANTALUM.

CNTL UNIT F2960101B (No.5xxx)

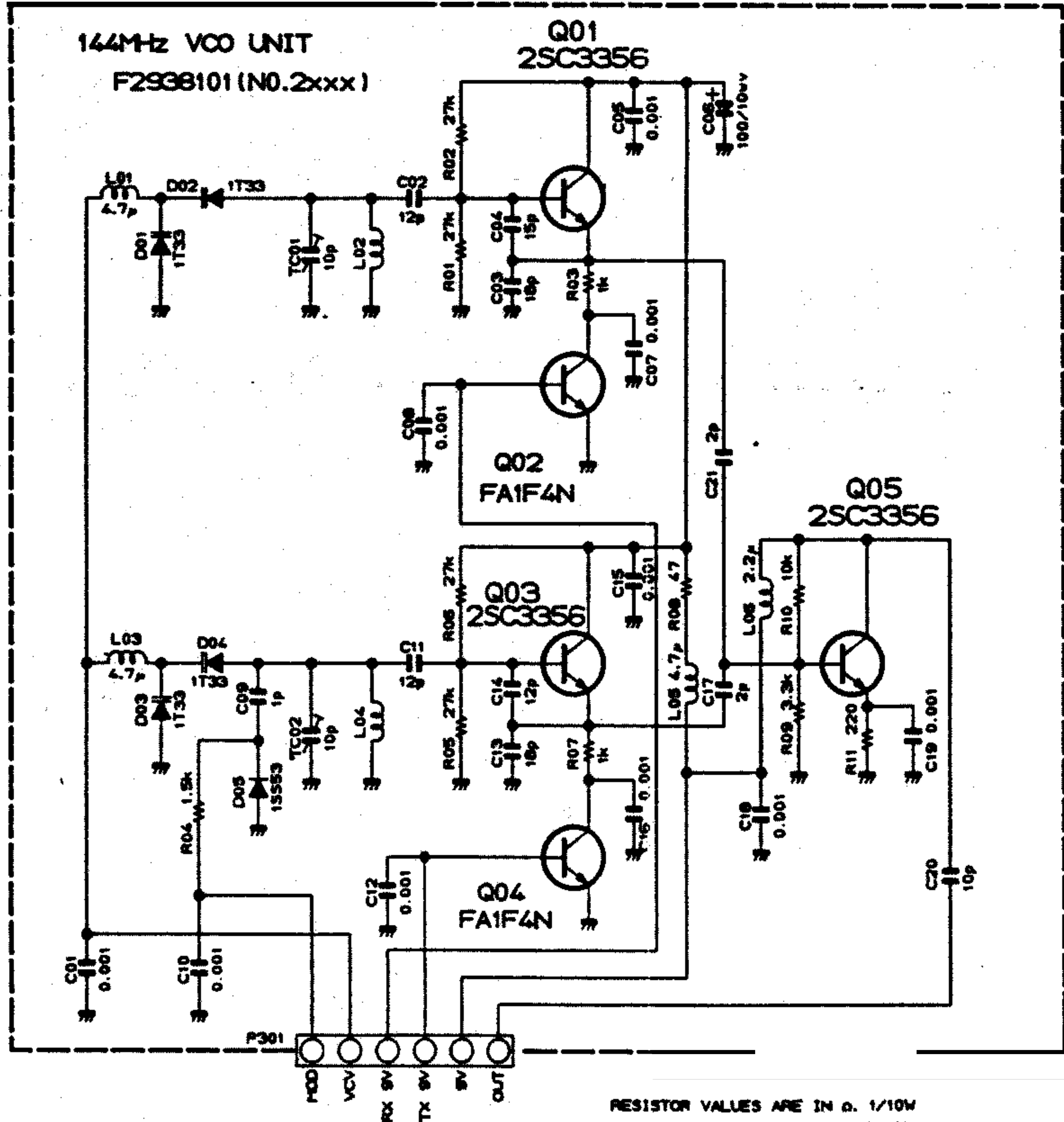


PANEL UNIT F2955000 (No.6xxx)



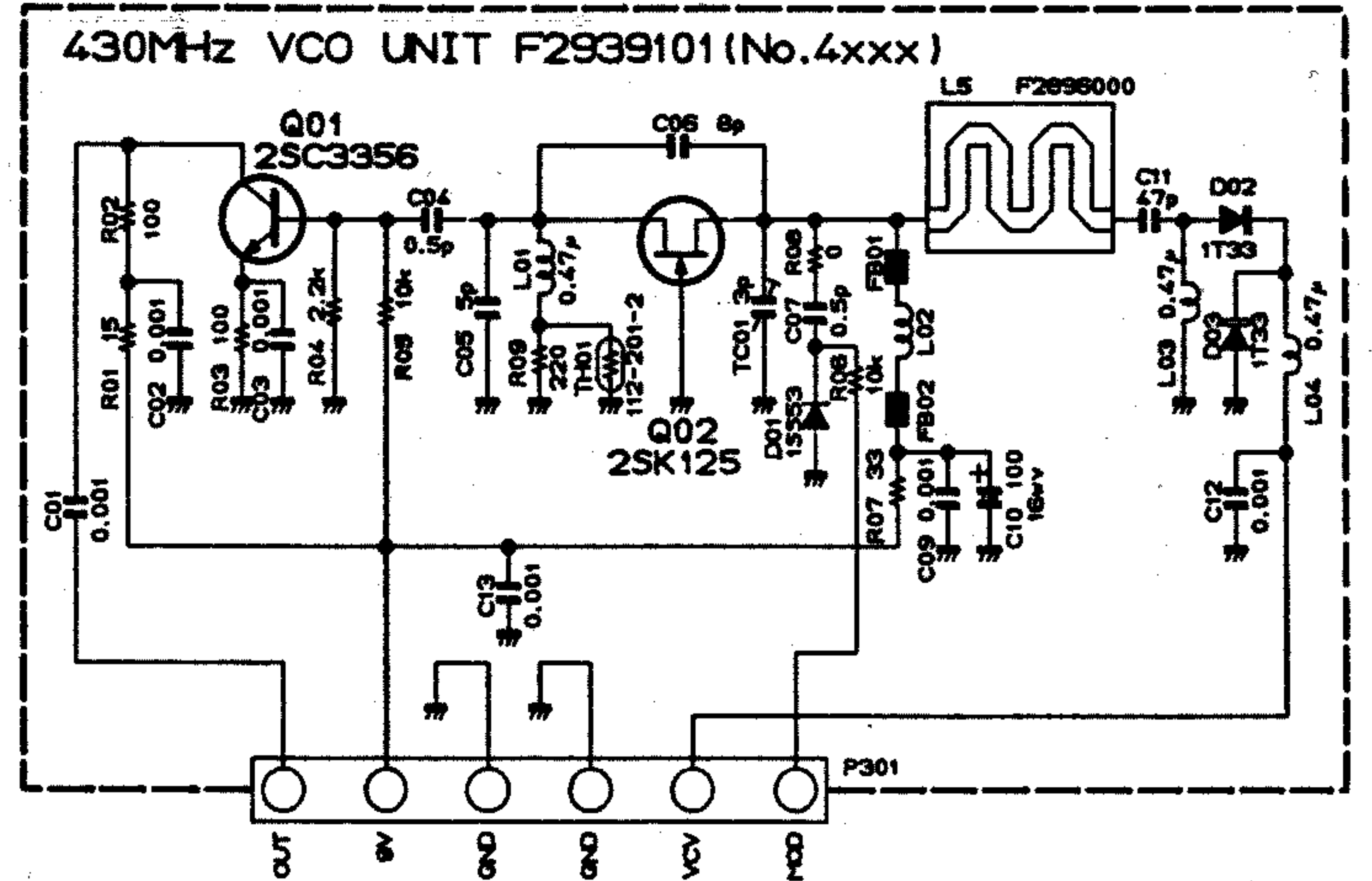
RESISTOR VALUES ARE IN Ω , 1/10W;
 CAPACITOR VALUES ARE IN μ F, 16V;
 UNLESS OTHERWISE NOTED.
 (T)CAPACITORS ARE TANTALUM.

144MHz VCO UNIT
F2938101 (NO.2xxx)



RESISTOR VALUES ARE IN Ω, 1/10Ω
CAPACITOR VALUES ARE IN μF, 50v;
INDUCTOR VALUES ARE IN H; UNLESS OTHERWISE NOTED.

430MHz VCO UNIT F2939101 (No.4xxx)



RESISTOR VALUES ARE IN Ω, 1/10Ω;
CAPACITOR VALUES ARE IN μF, 50v;
INDUCTOR VALUES ARE IN H;
UNLESS OTHERWISE NOTED.