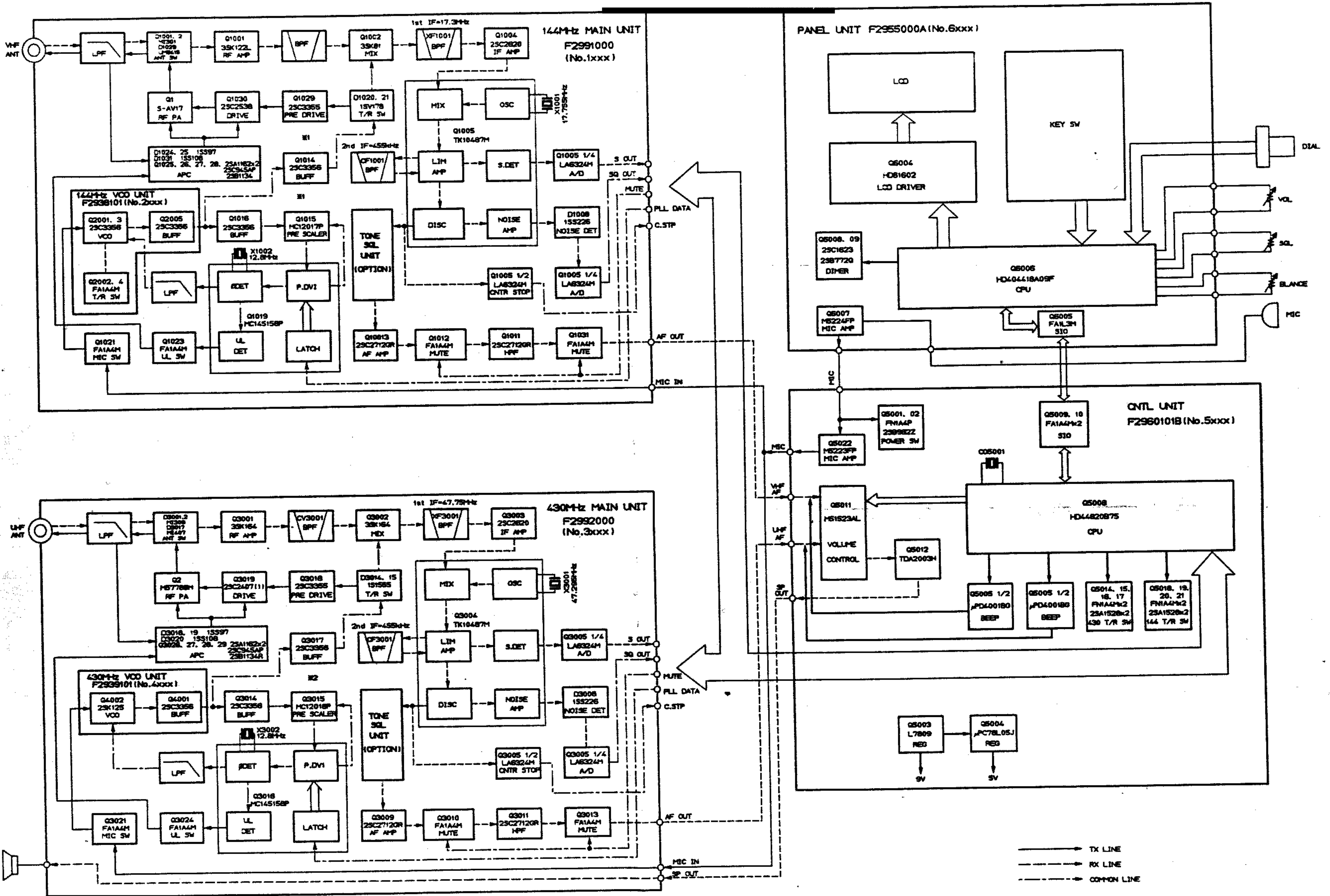


EXP.

B1, C1, H, D1	RX	161.3-183.3MHz
	TX	144.0-148.0MHz
A1, B2, C2, H2	RX	161.3-183.3MHz
	TX	144.0-148.0MHz
A3, B3, C3, H3	RX	157.3-191.3MHz
	TX	140.0-174.0MHz
A2	RX	157.3-191.3MHz
	TX	140.0-150.0MHz



———→ TX LINE  
 - - - - -→ RX LINE  
 ·····→ COMMON LINE

EXP.

A	RX	392.25-402.25MHz
	TX	430.00-450.00MHz
B, C, H	RX	392.25-392.25MHz
	TX	430.00-440.00MHz
D1	RX	434.25-390.25MHz
	TX	430.00-430.00MHz