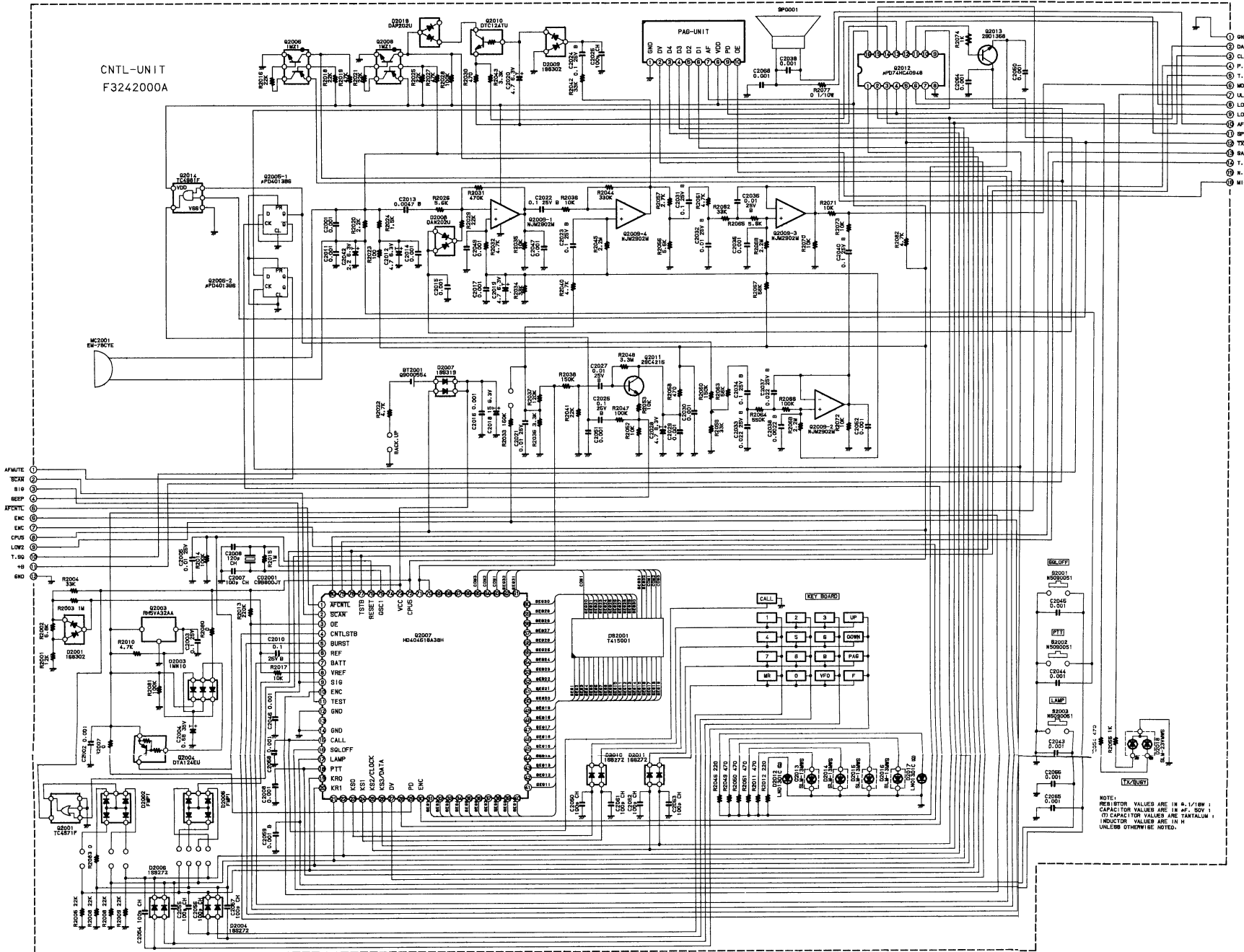
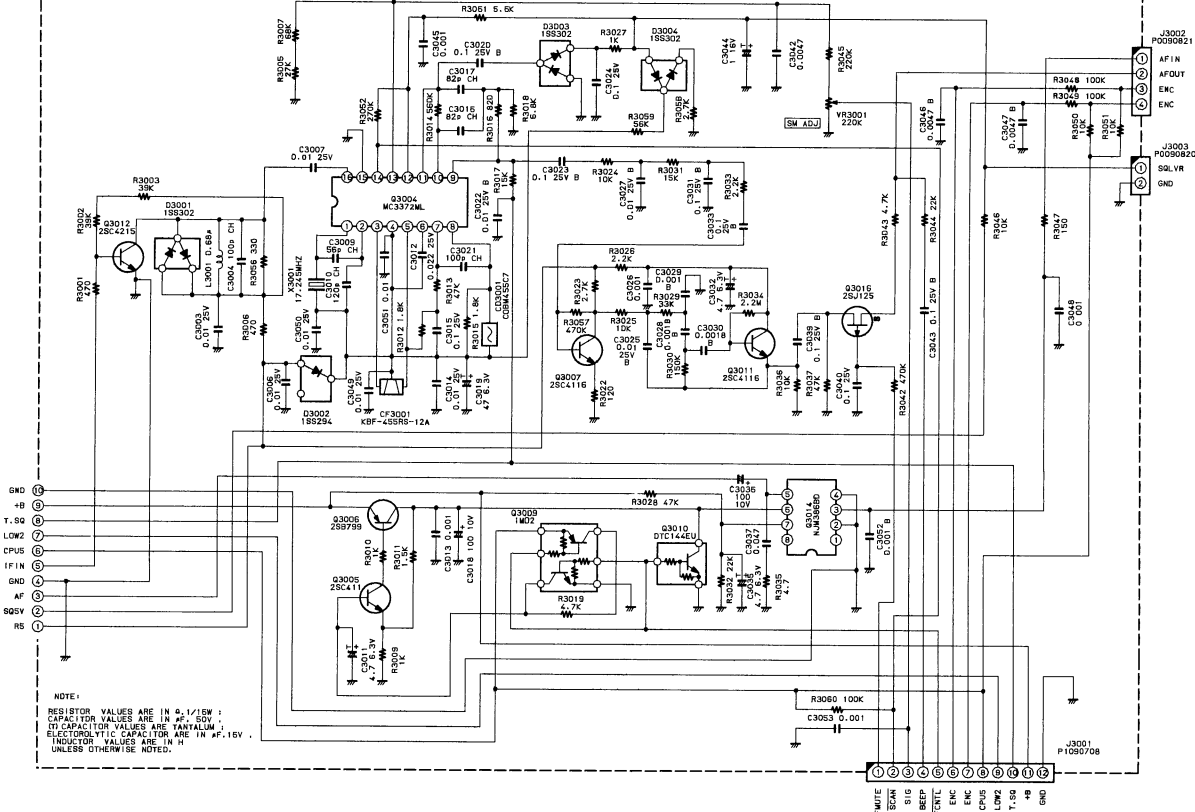


CNTL-UNIT
F3242000A



NOTE:
RESISTOR VALUES ARE IN Ω, 1/10W ±
CAPACITOR VALUES ARE IN μF, 50V ±
(†) CAPACITOR VALUES ARE TANTALUM ±
INDUCTOR VALUES ARE IN mH UNLESS OTHERWISE NOTED.

IF-UNIT F3213102F



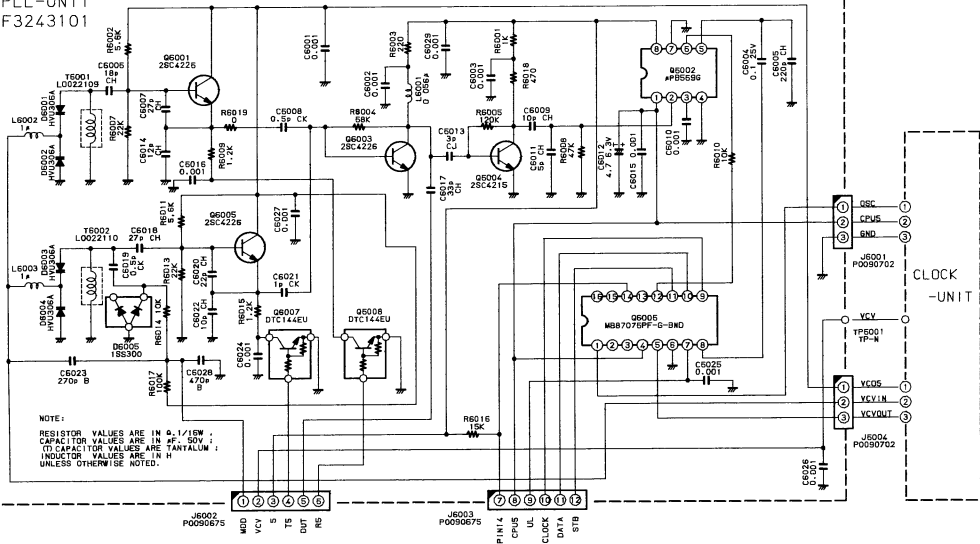
NOTE:

RESISTOR VALUES ARE IN Ω, 1/15W ;
 CAPACITOR VALUES ARE IN μF, .05V ;
 Ω TO CAPACITOR VALUES ARE PARTIAL μ.
 ELECTROLYTIC CAPACITOR ARE IN μF, 16V ;
 INDUCTOR VALUES ARE IN H
 UNLESS OTHERWISE NOTED.

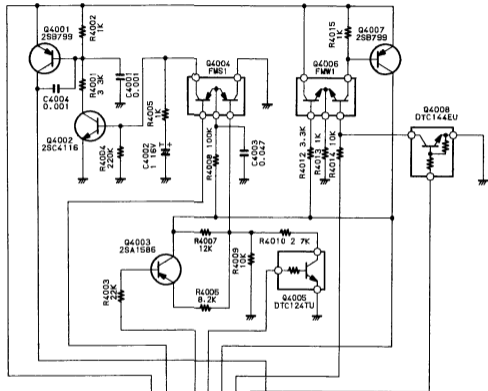
1 AF IN
 2 T.50
 3 LOWZ
 4 CPUS
 5 IF IN
 6 GF
 7 50V
 8 RS

1 AF IN
 2 AF OUT
 3 ENC
 4 J3001
 5 P1090/078

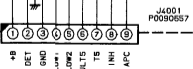
PLL-UNIT
F3243101



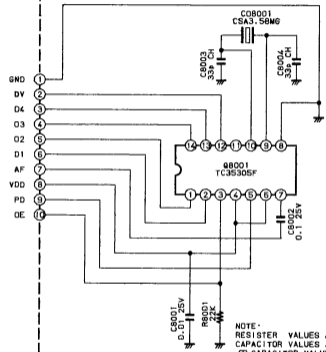
APC-UNIT F3243102



NOTE
RESISTOR VALUES ARE IN Ω, 1/16W ;
CAPACITOR VALUES ARE IN μF, SOV ;
(T) CAPACITOR VALUES ARE TANTALUM ;
UNLESS OTHERWISE NOTED.



PAG-UNIT F3237101



NOTE
RESISTOR VALUES ARE IN Ω, 1/16W ;
CAPACITOR VALUES ARE IN μF, SOV ;
(T) CAPACITOR VALUES ARE TANTALUM ;
UNLESS OTHERWISE NOTED.

