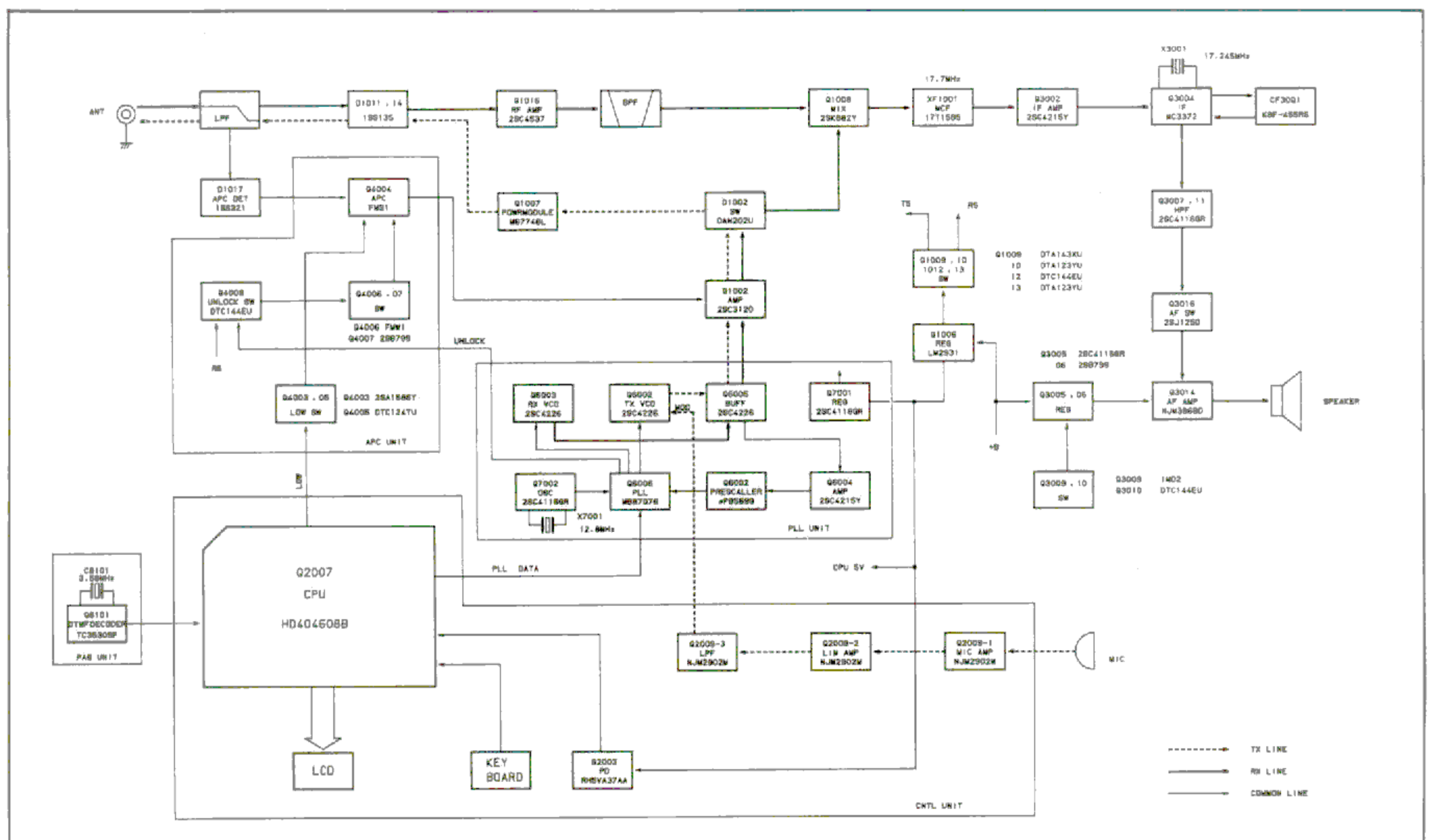
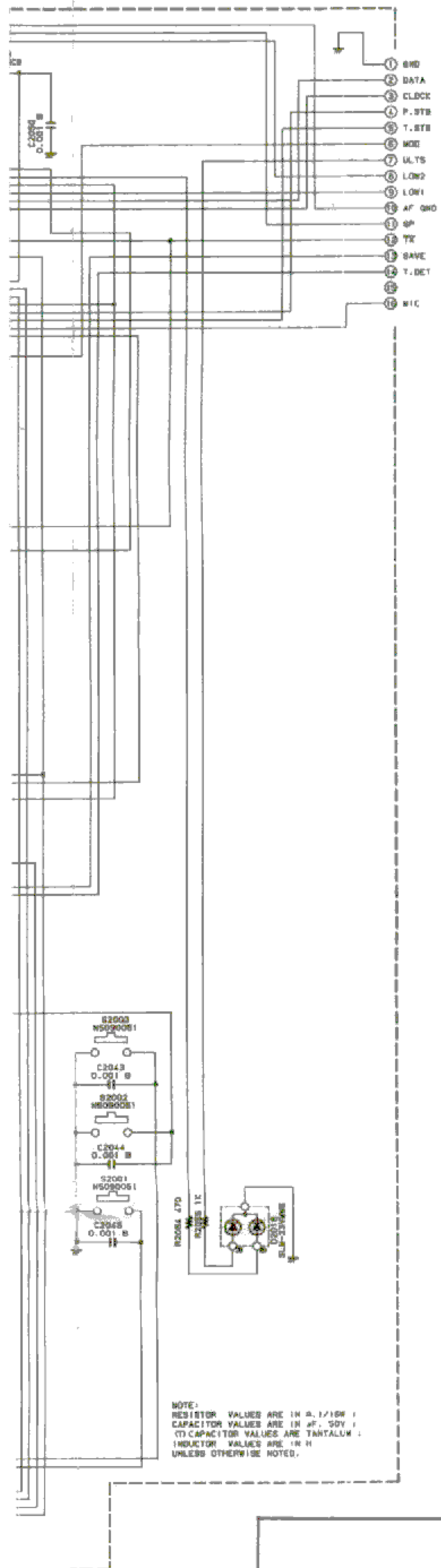
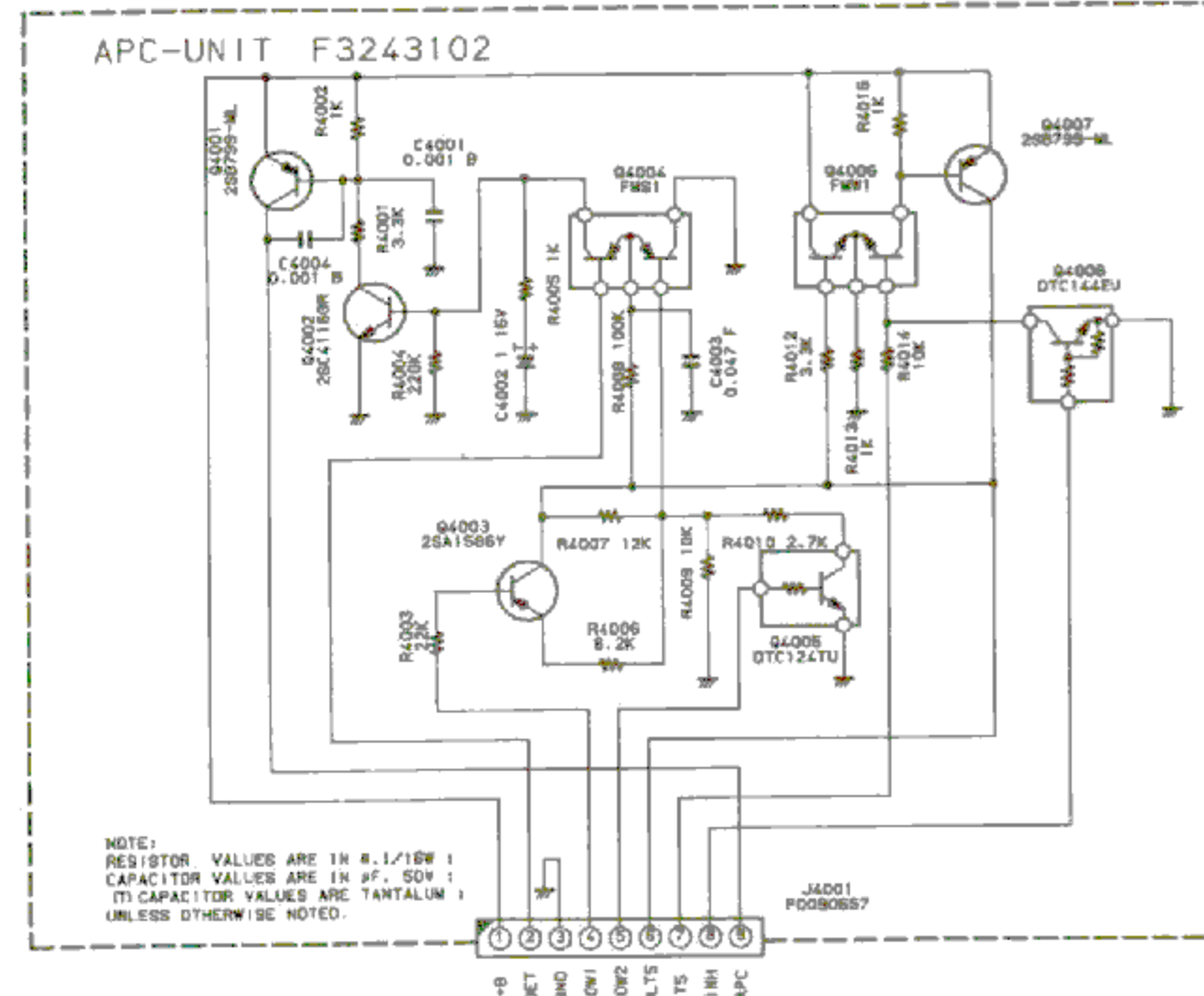
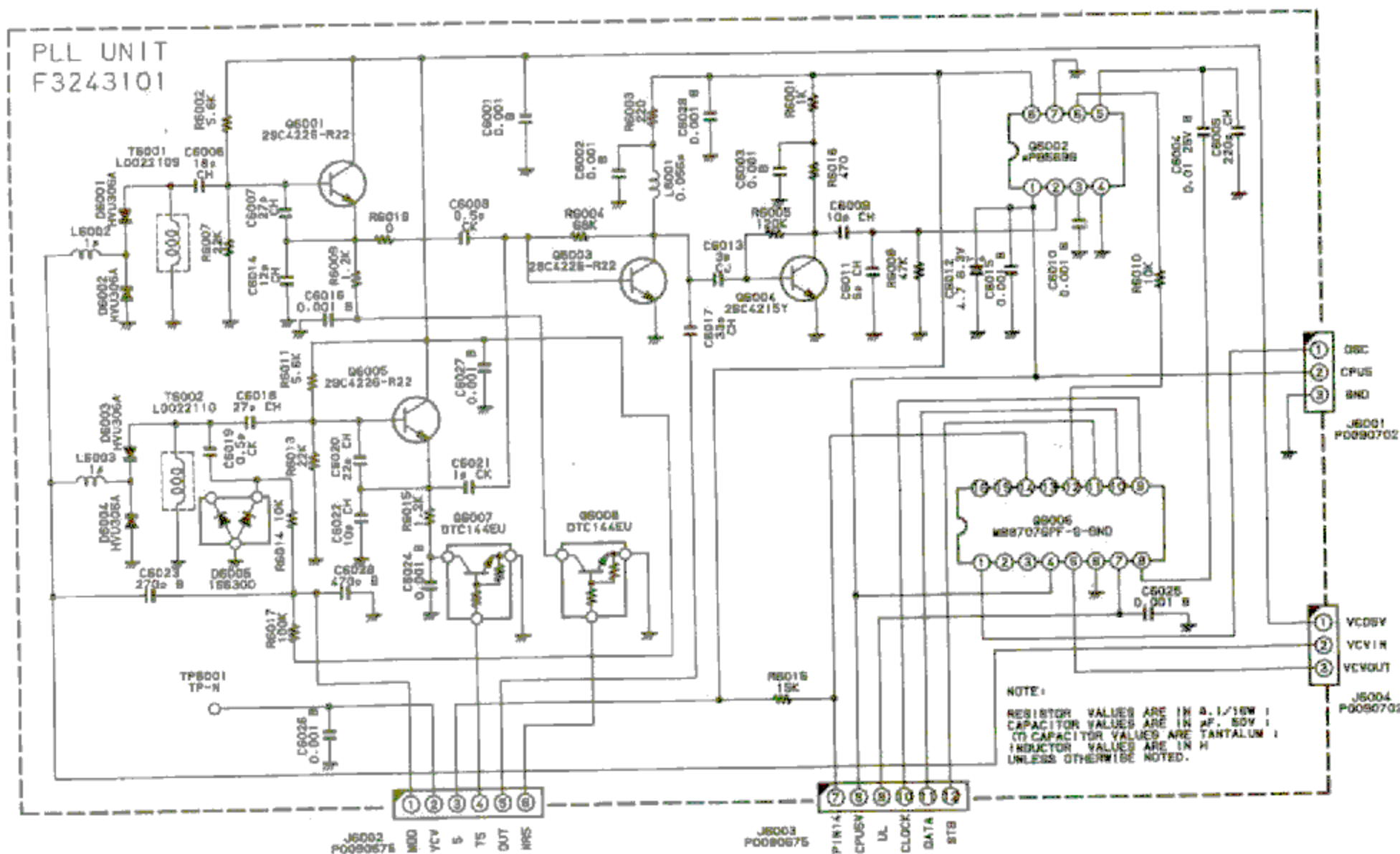
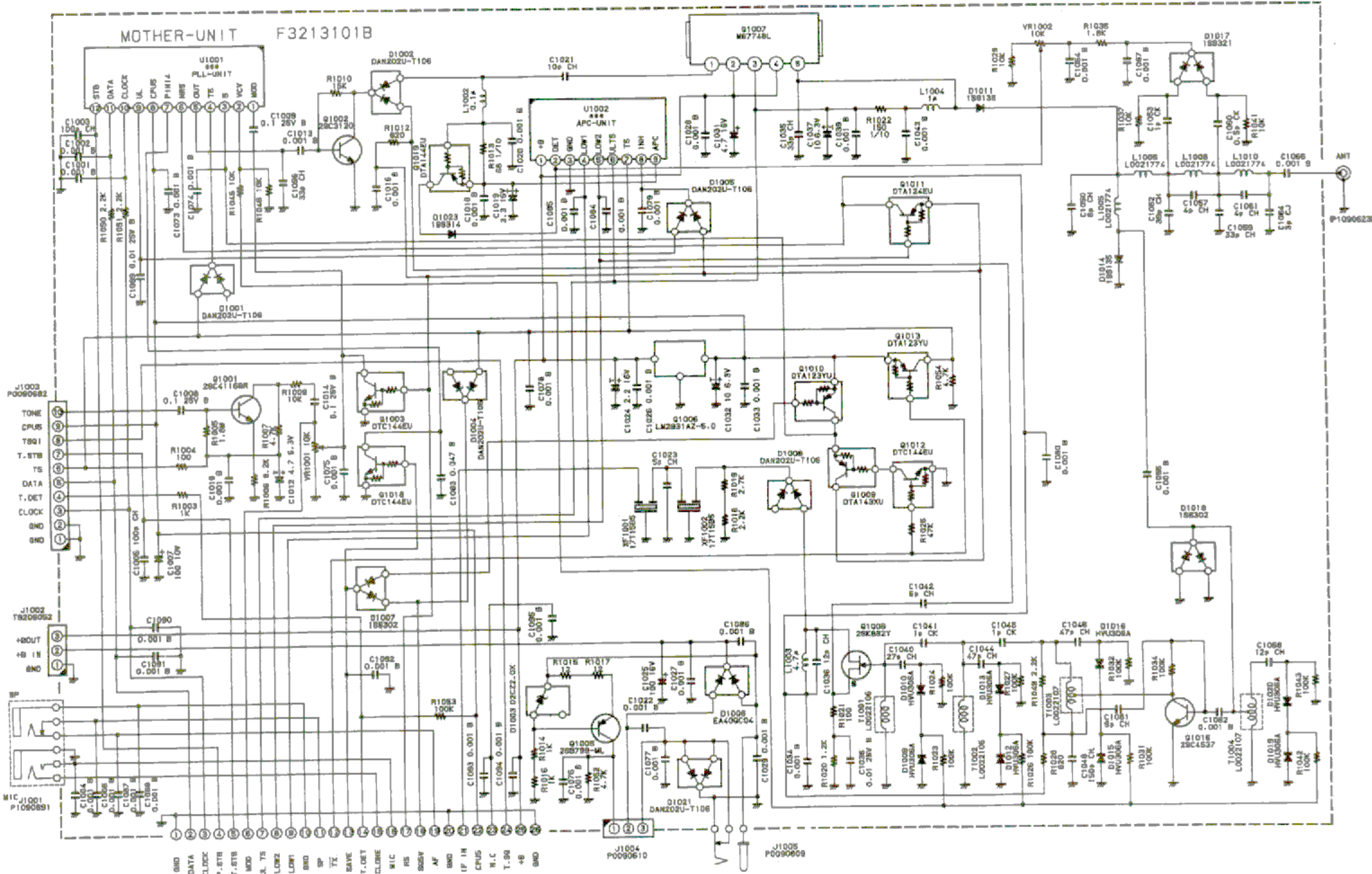
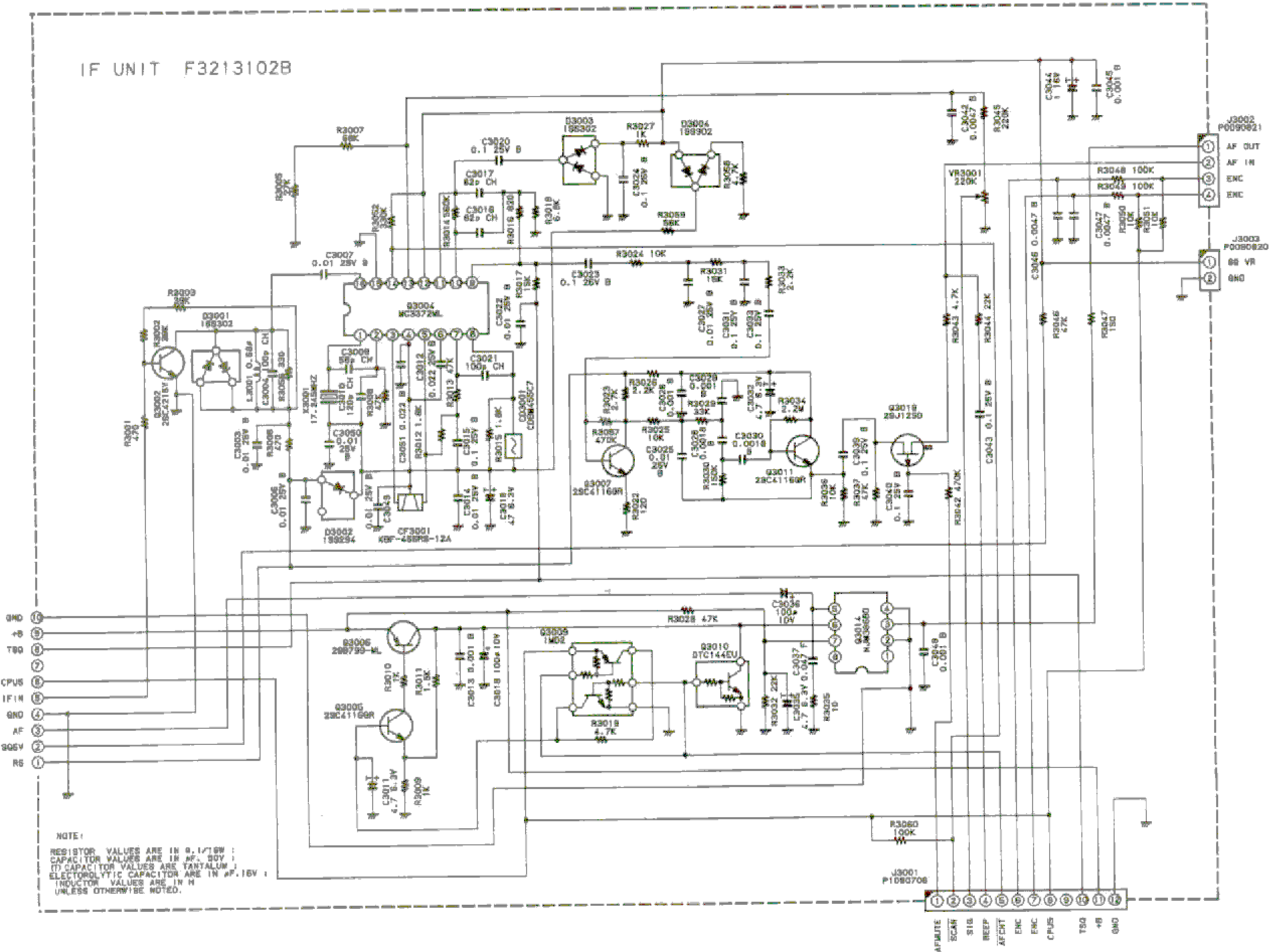


FT-415 Circuit Diagram



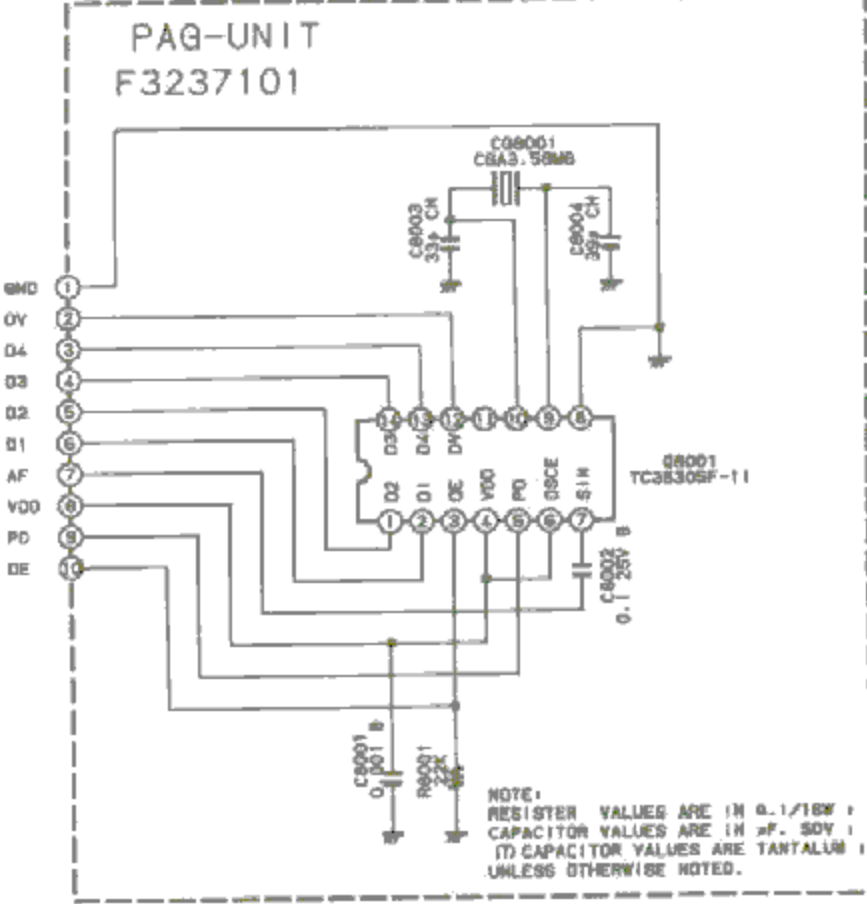


IF UNIT F3213102B



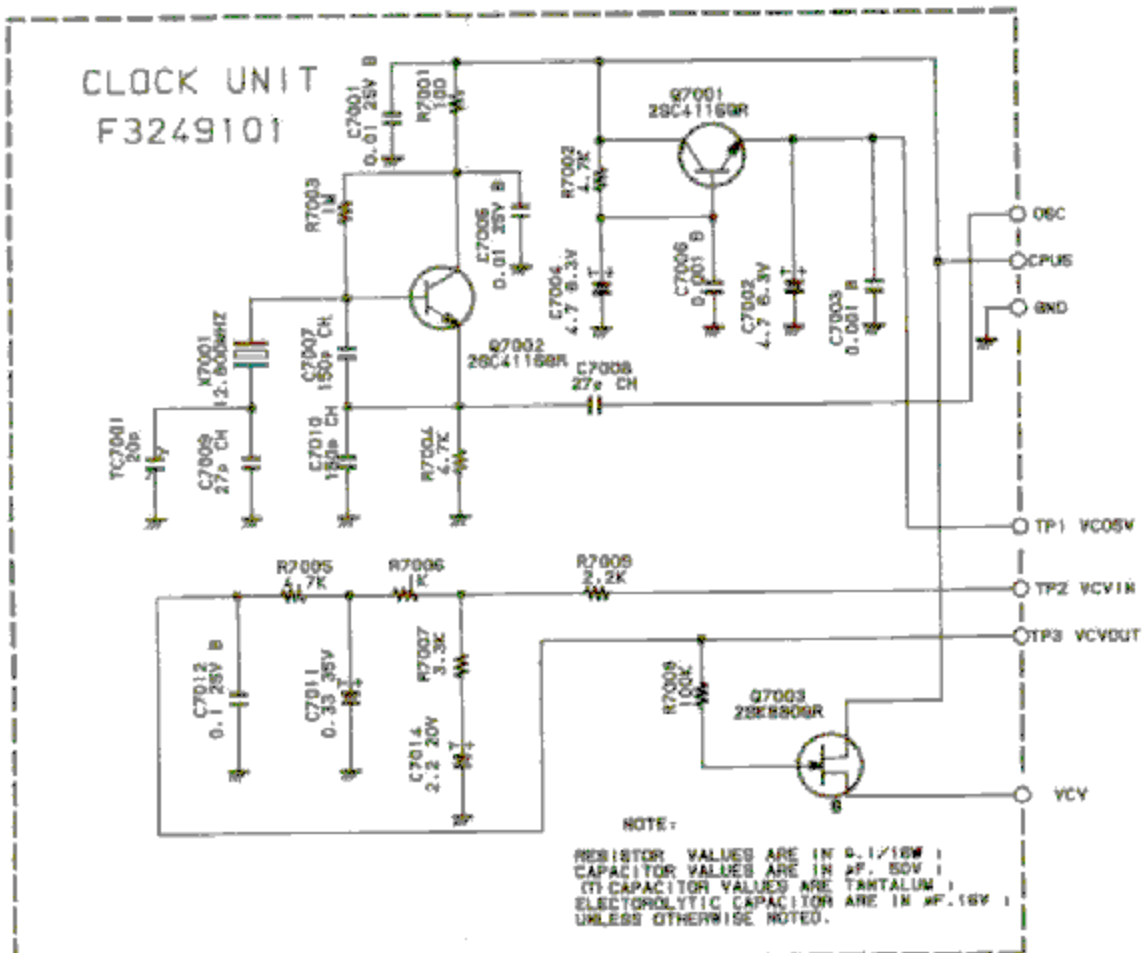
NOTE:  
RESISTOR VALUES ARE IN OHMS UNLESS OTHERWISE NOTED.  
CAPACITOR VALUES ARE IN PF. 50V UNLESS OTHERWISE NOTED.  
CAPACITOR VALUES ARE TANTALUM UNLESS OTHERWISE NOTED.  
ELECTROLYTIC CAPACITORS ARE IN MF. 16V UNLESS OTHERWISE NOTED.  
INDUCTOR VALUES ARE IN MH UNLESS OTHERWISE NOTED.

PAG-UNIT F3237101



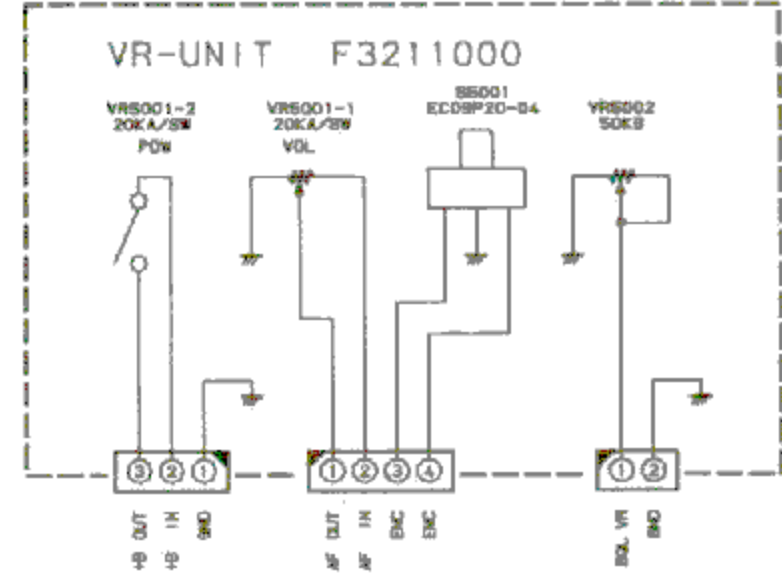
NOTE:  
RESISTOR VALUES ARE IN OHMS UNLESS OTHERWISE NOTED.  
CAPACITOR VALUES ARE IN PF. 50V UNLESS OTHERWISE NOTED.  
CAPACITOR VALUES ARE TANTALUM UNLESS OTHERWISE NOTED.  
ELECTROLYTIC CAPACITORS ARE IN MF. 16V UNLESS OTHERWISE NOTED.  
INDUCTOR VALUES ARE IN MH UNLESS OTHERWISE NOTED.

CLOCK UNIT F3249101



NOTE:  
RESISTOR VALUES ARE IN OHMS UNLESS OTHERWISE NOTED.  
CAPACITOR VALUES ARE IN PF. 50V UNLESS OTHERWISE NOTED.  
CAPACITOR VALUES ARE TANTALUM UNLESS OTHERWISE NOTED.  
ELECTROLYTIC CAPACITORS ARE IN MF. 16V UNLESS OTHERWISE NOTED.  
INDUCTOR VALUES ARE IN MH UNLESS OTHERWISE NOTED.

VR-UNIT F3211000



NOTE:  
RESISTOR VALUES ARE IN OHMS UNLESS OTHERWISE NOTED.  
CAPACITOR VALUES ARE IN PF. 50V UNLESS OTHERWISE NOTED.  
CAPACITOR VALUES ARE TANTALUM UNLESS OTHERWISE NOTED.  
ELECTROLYTIC CAPACITORS ARE IN MF. 16V UNLESS OTHERWISE NOTED.  
INDUCTOR VALUES ARE IN MH UNLESS OTHERWISE NOTED.