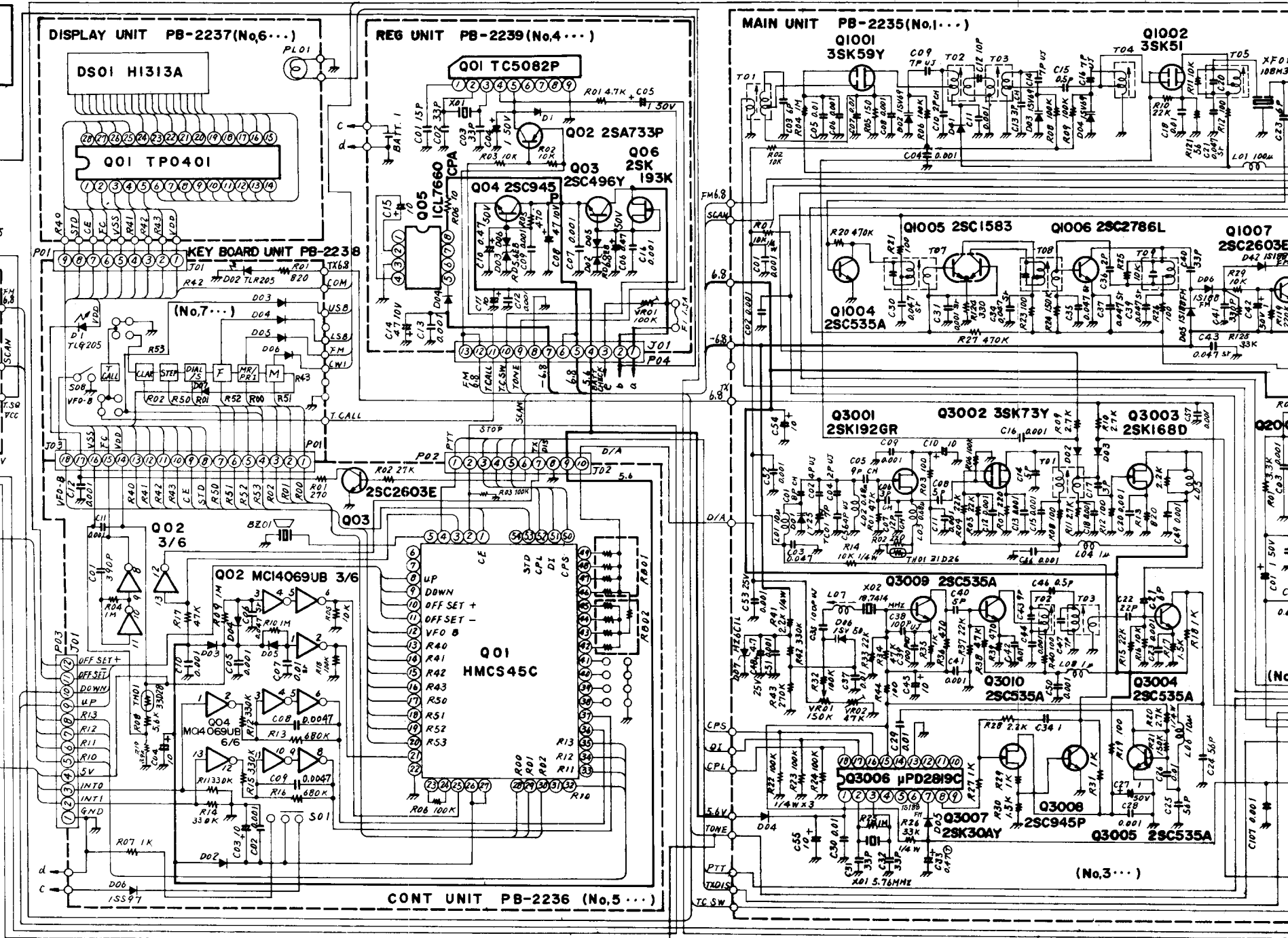


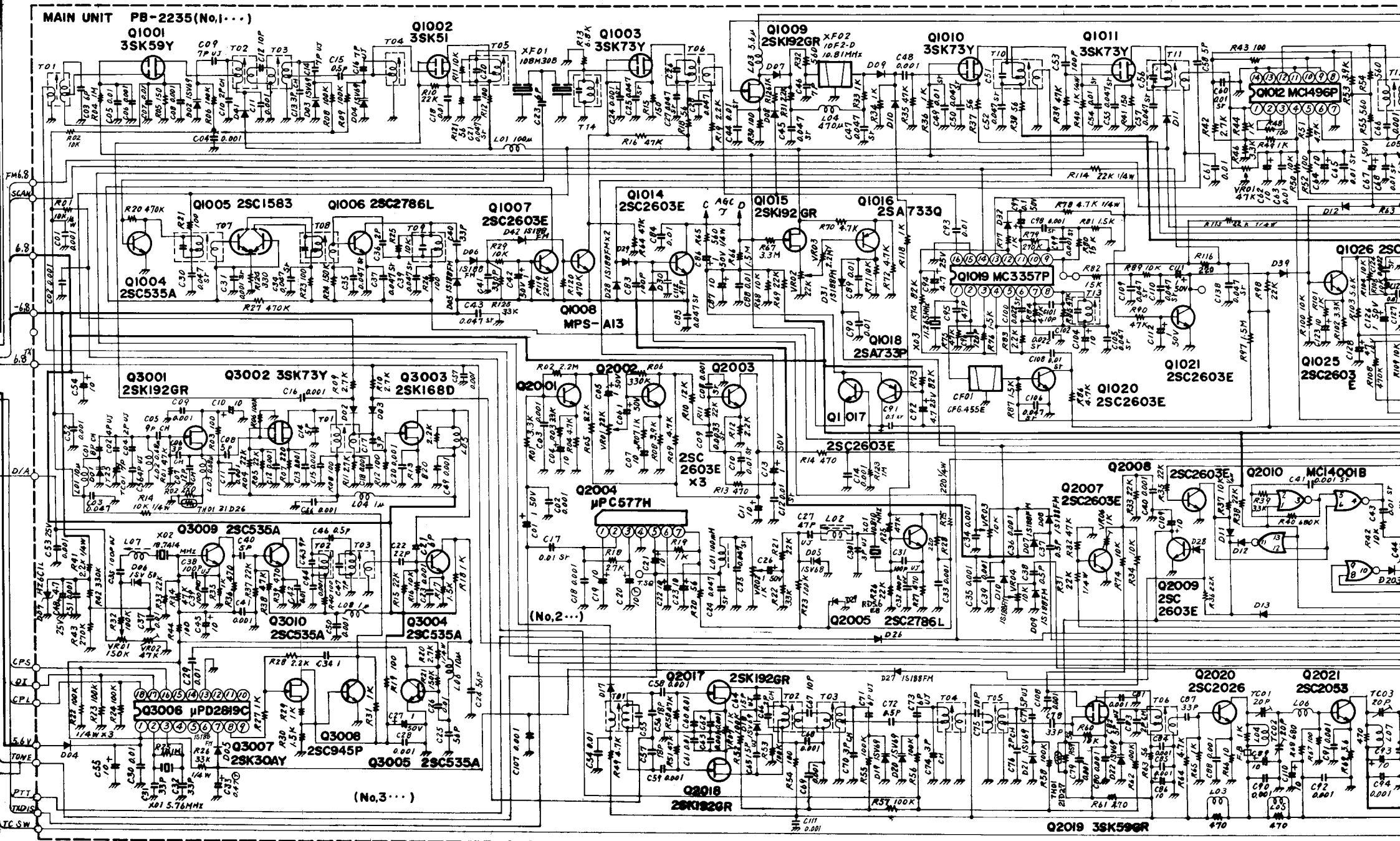
FT 290R
CIRCUIT DIAGRAM



Scan by Dataminy info

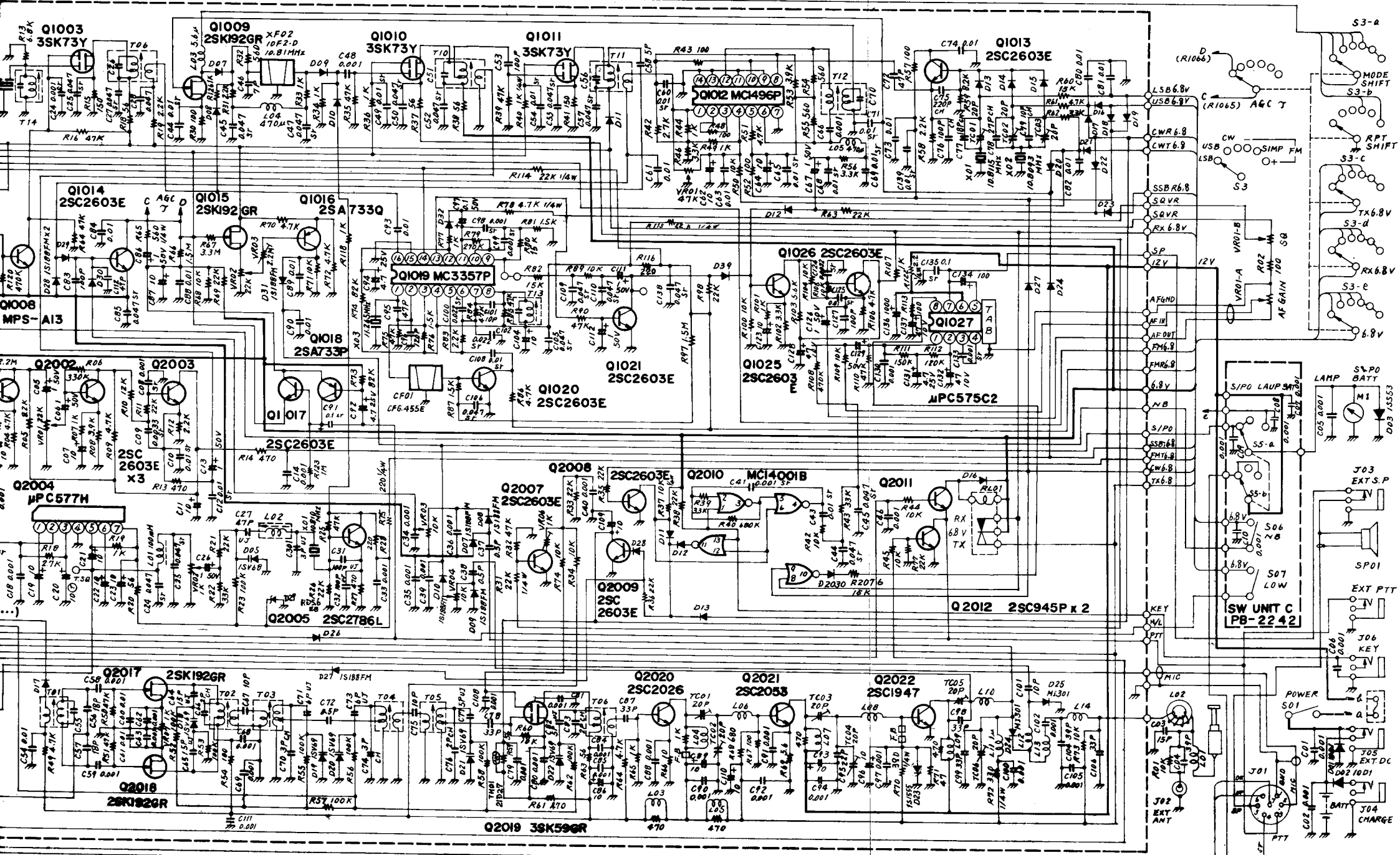
- NOTES:
1. ALL RESISTORS ARE IN Ω UNLESS OTHERWISE NOTED.
 2. ALL CAPACITORS ARE IN μ F UNLESS OTHERWISE NOTED.
 3. ALL DIODES ARE 1SS53 UNLESS OTHERWISE NOTED.

MAIN UNIT PB-2235(No.1...)



NOTES.
 1. ALL RESISTORS ARE IN Ω UNLESS OTHERWISE NOTED.
 2. ALL CAPACITORS ARE IN μ F UNLESS OTHERWISE NOTED.
 3. ALL DIODES ARE 1SS53 UNLESS OTHERWISE NOTED

4. ALL ELECTROLYTIC CAPACITORS ARE 16V UNLESS OTHERWISE NOTED.
 5. VALUE IS NOMINAL.



4. ALL ELECTROLYTIC CAPACITORS ARE 16V UNLESS OTHERWISE NOTED.
 5. VALUE IS NOMINAL.