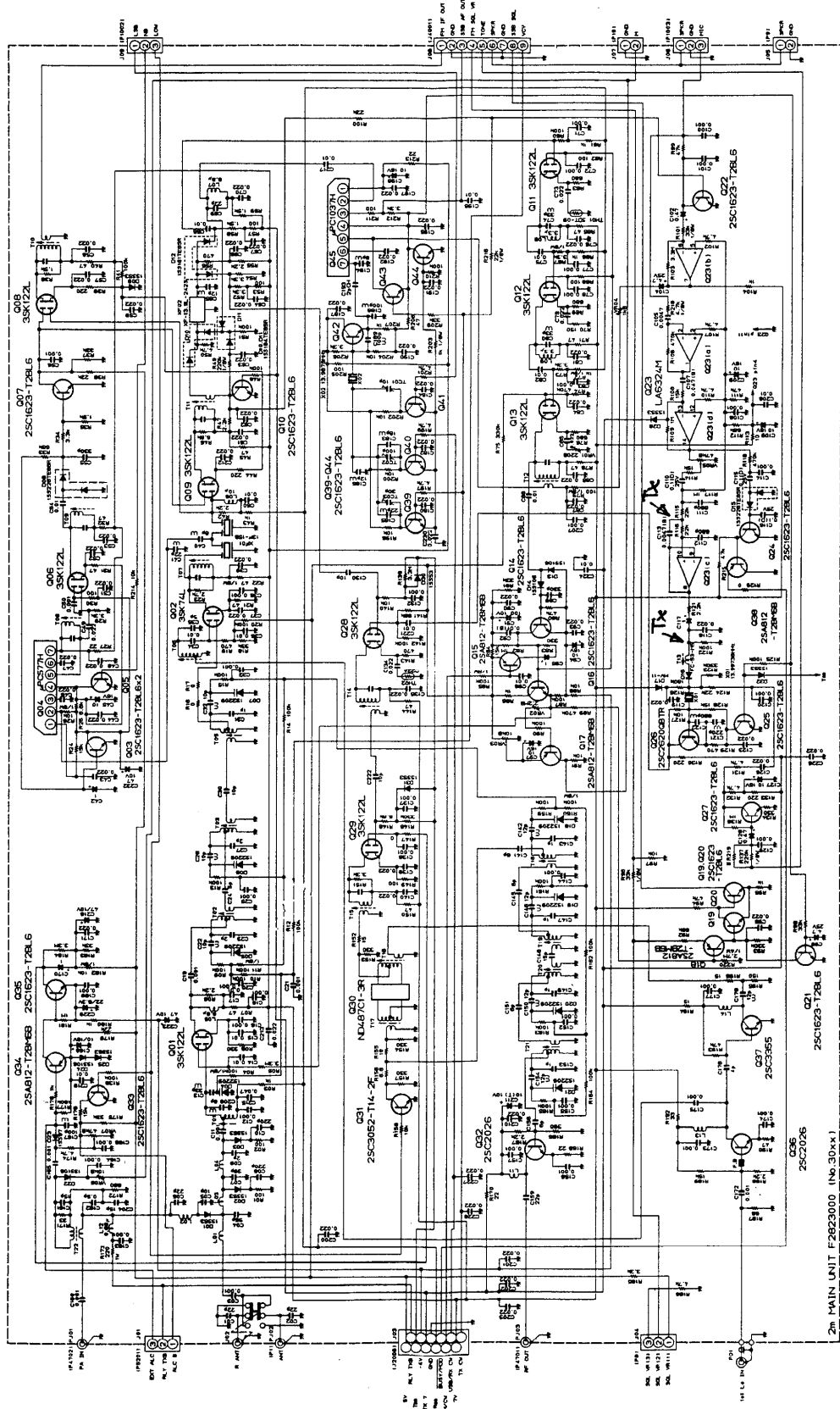
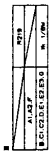


RESISTOR VALUES ARE IN Ω.

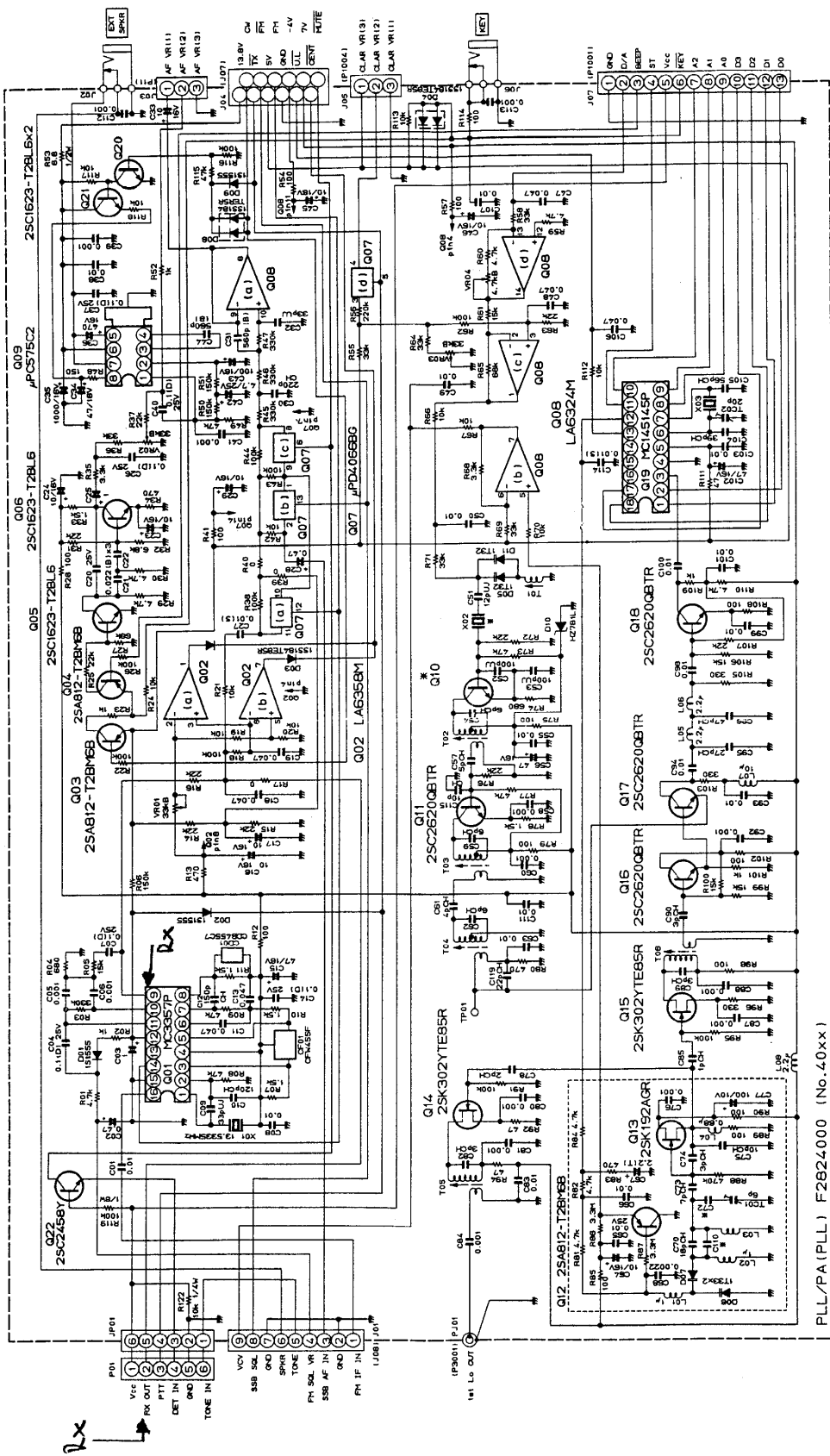
FT-290R II
CONNECTION DIAGRAM



RESISTOR VALUES ARE IN OHMS UNLESS OTHERWISE NOTED.
 CAPACITOR VALUES ARE IN P.F. UNLESS OTHERWISE NOTED.
 DIMENSIONS ARE TENTATIVE.



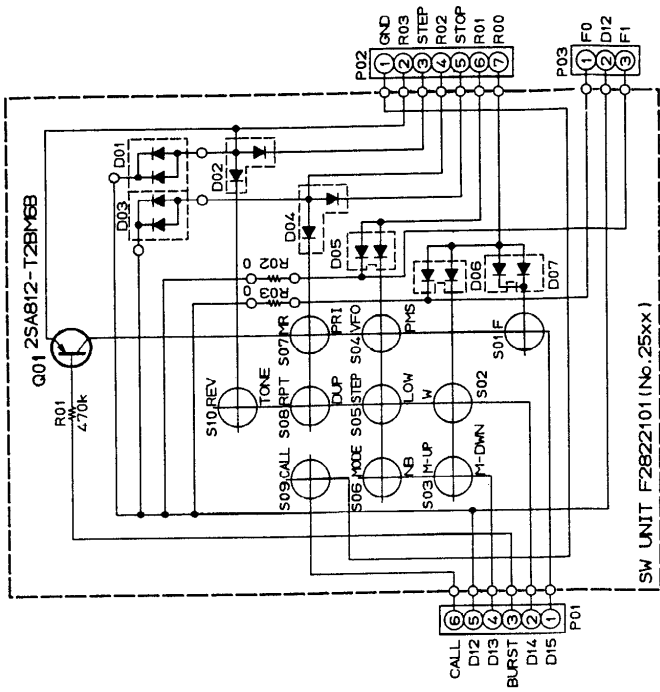
2m MAIN UNIT F2923000 (No.30xx)



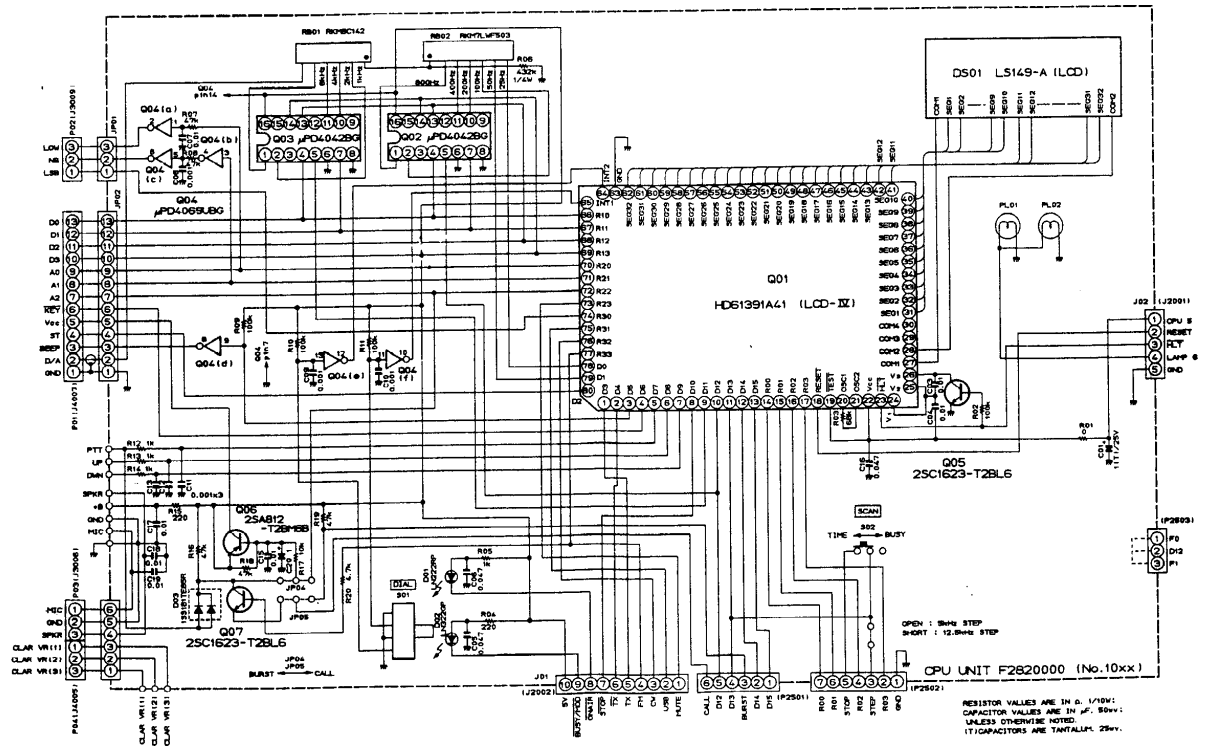
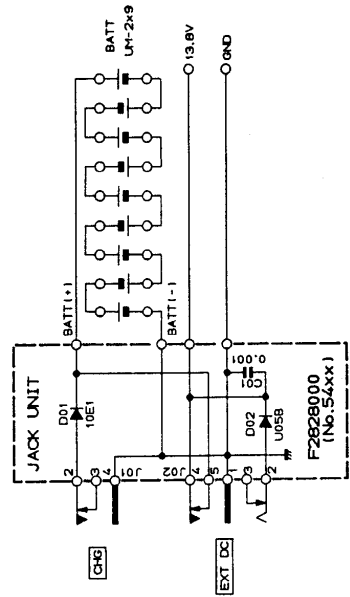
RESISTOR VALUES ARE IN Ω , $\text{k}\Omega$, $\text{M}\Omega$.
 INDUCTOR VALUES ARE IN HENRIES, UNLESS OTHERWISE NOTED.
 CAPACITOR VALUES ARE IN PICO, NANO, MICRO, MILLIFARADS, UNLESS OTHERWISE NOTED.
 CAPACITORS ARE TANTALUM, 16V.

Q01	Q02	Q03	Q04	Q05	Q06	Q07	Q08	Q09	Q10	Q11	Q12	Q13	Q14	Q15	Q16	Q17	Q18
25C2456Y	25A812-T2BMB	25A812-T2BMB	25A812-T2BMB	25A812-T2BMB	25A812-T2BMB	25A812-T2BMB	25A812-T2BMB	25A812-T2BMB	25A812-T2BMB	25A812-T2BMB	25A812-T2BMB	25A812-T2BMB	25A812-T2BMB	25A812-T2BMB	25A812-T2BMB	25A812-T2BMB	25A812-T2BMB
25C1623-T2BL6	25C1623-T2BL6	25C1623-T2BL6	25C1623-T2BL6	25C1623-T2BL6	25C1623-T2BL6	25C1623-T2BL6	25C1623-T2BL6	25C1623-T2BL6	25C1623-T2BL6	25C1623-T2BL6	25C1623-T2BL6	25C1623-T2BL6	25C1623-T2BL6	25C1623-T2BL6	25C1623-T2BL6	25C1623-T2BL6	25C1623-T2BL6

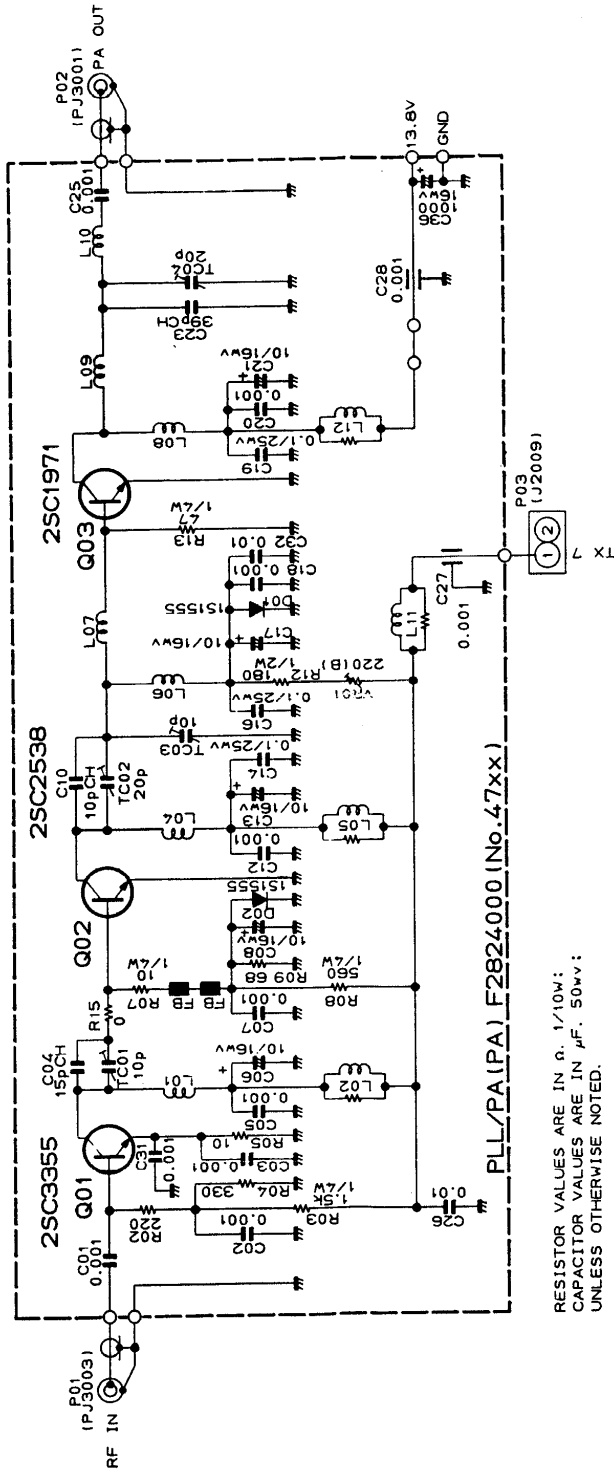
PLL/P.A. (PLL) F-2624000 (No. 40xx)



RESISTOR VALUES ARE IN Ω , 1/10W;
 DIODES ARE TYPE 1SS181;
 UNLESS OTHERWISE NOTED.



RESISTOR VALUES ARE IN Ω , 1/10W;
 CAPACITOR VALUES ARE IN μ , 50V;
 UNLESS OTHERWISE NOTED;
 17 CAPACITORS ARE TANTALUM, 25V.



RESISTOR VALUES ARE IN Ω , 1/10W;
 CAPACITOR VALUES ARE IN μ F, 50V;
 UNLESS OTHERWISE NOTED.