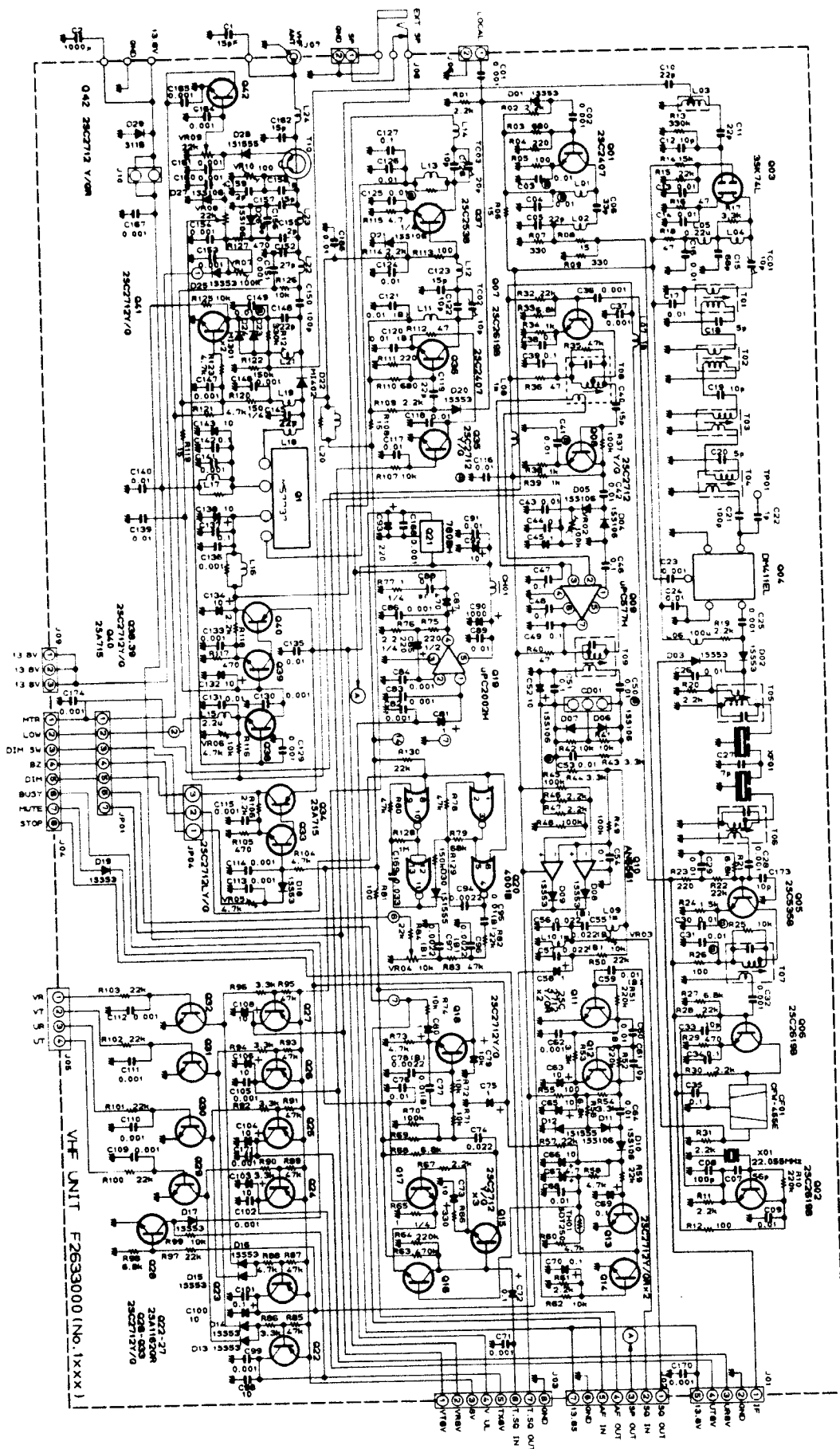
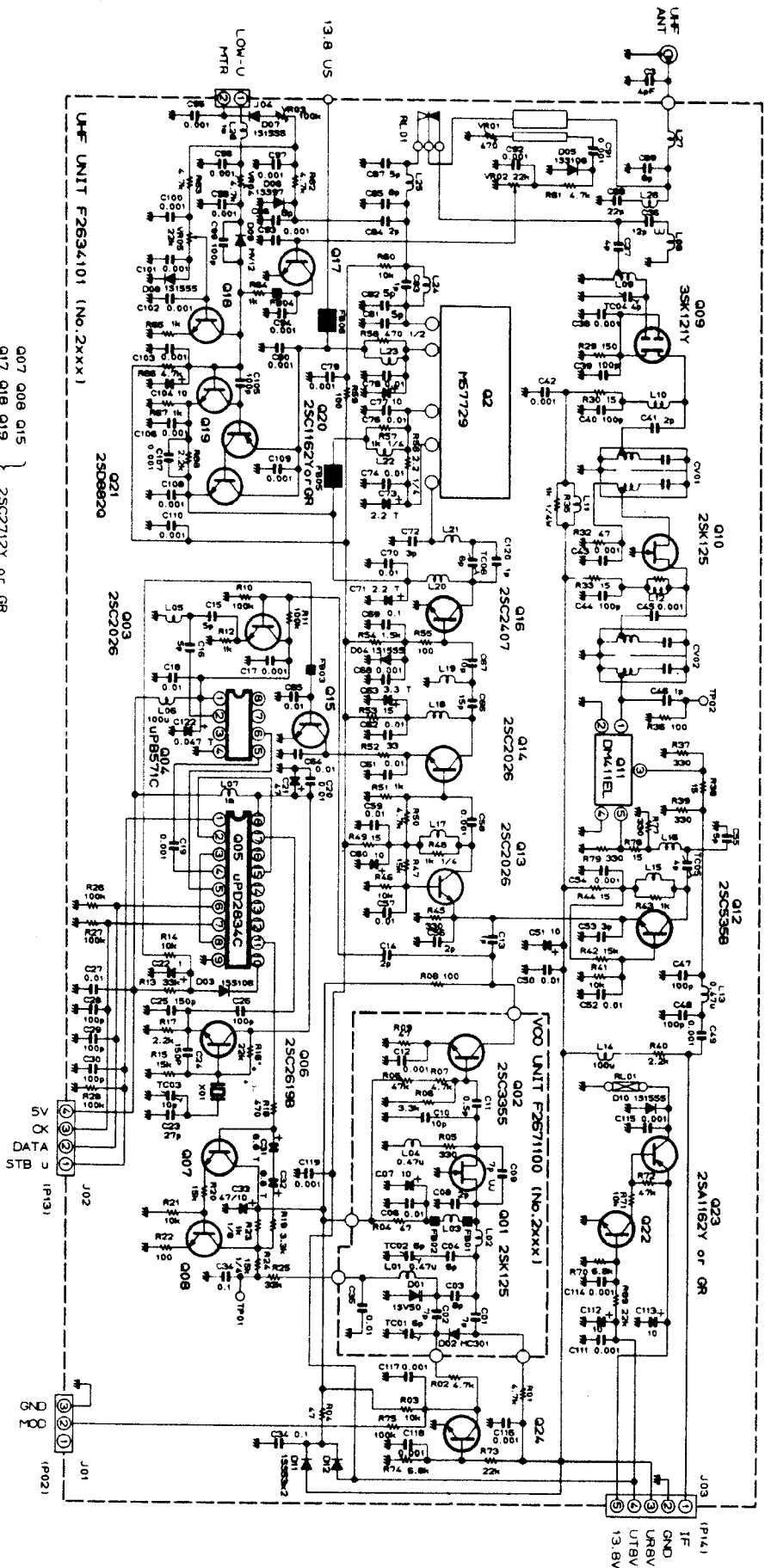


FT-2700RH
CONNECTION DIAGRAM

VHF UNIT SCHEMATIC DIAGRAM

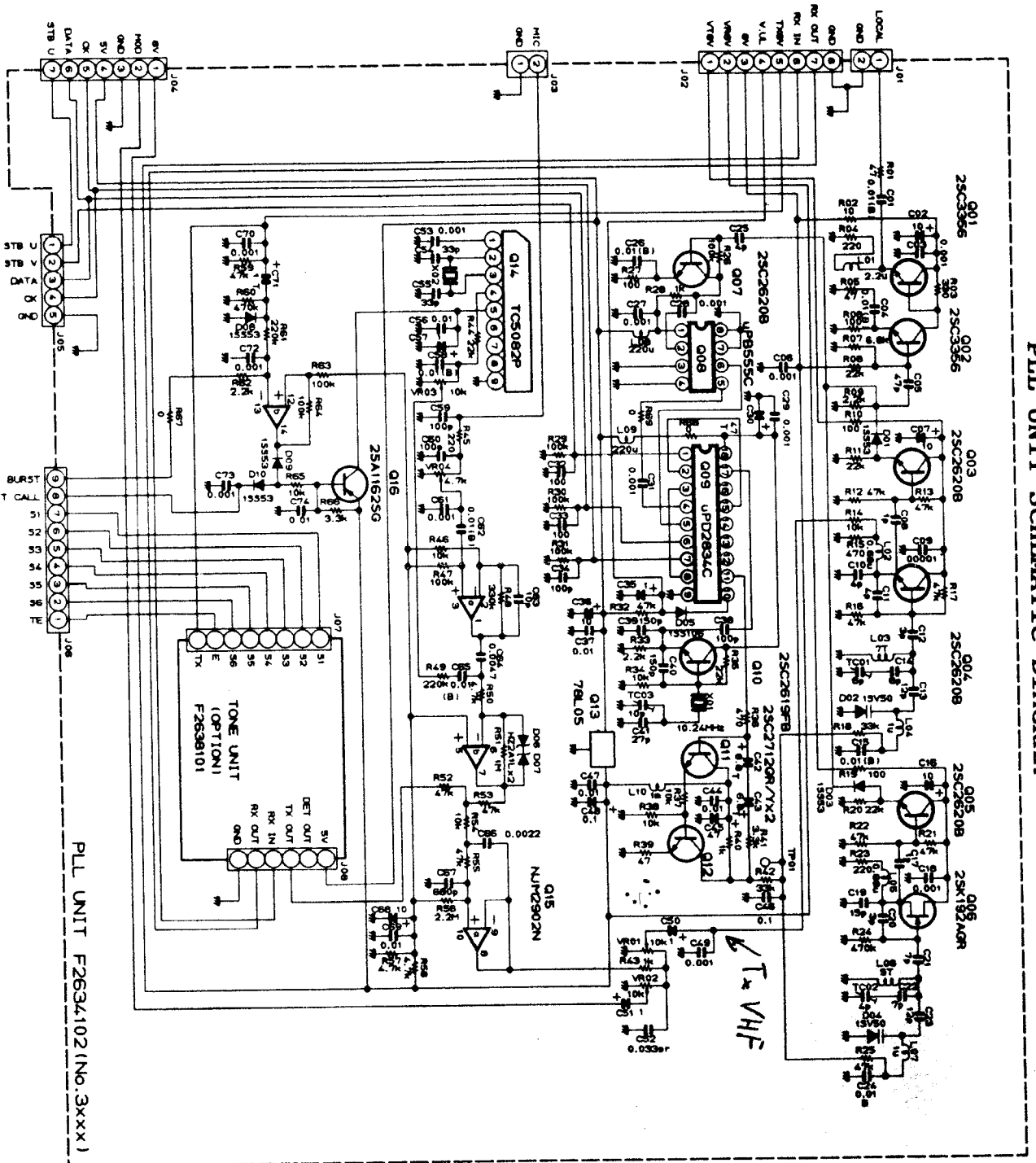


UHF UNIT SCHEMATIC DIAGRAM



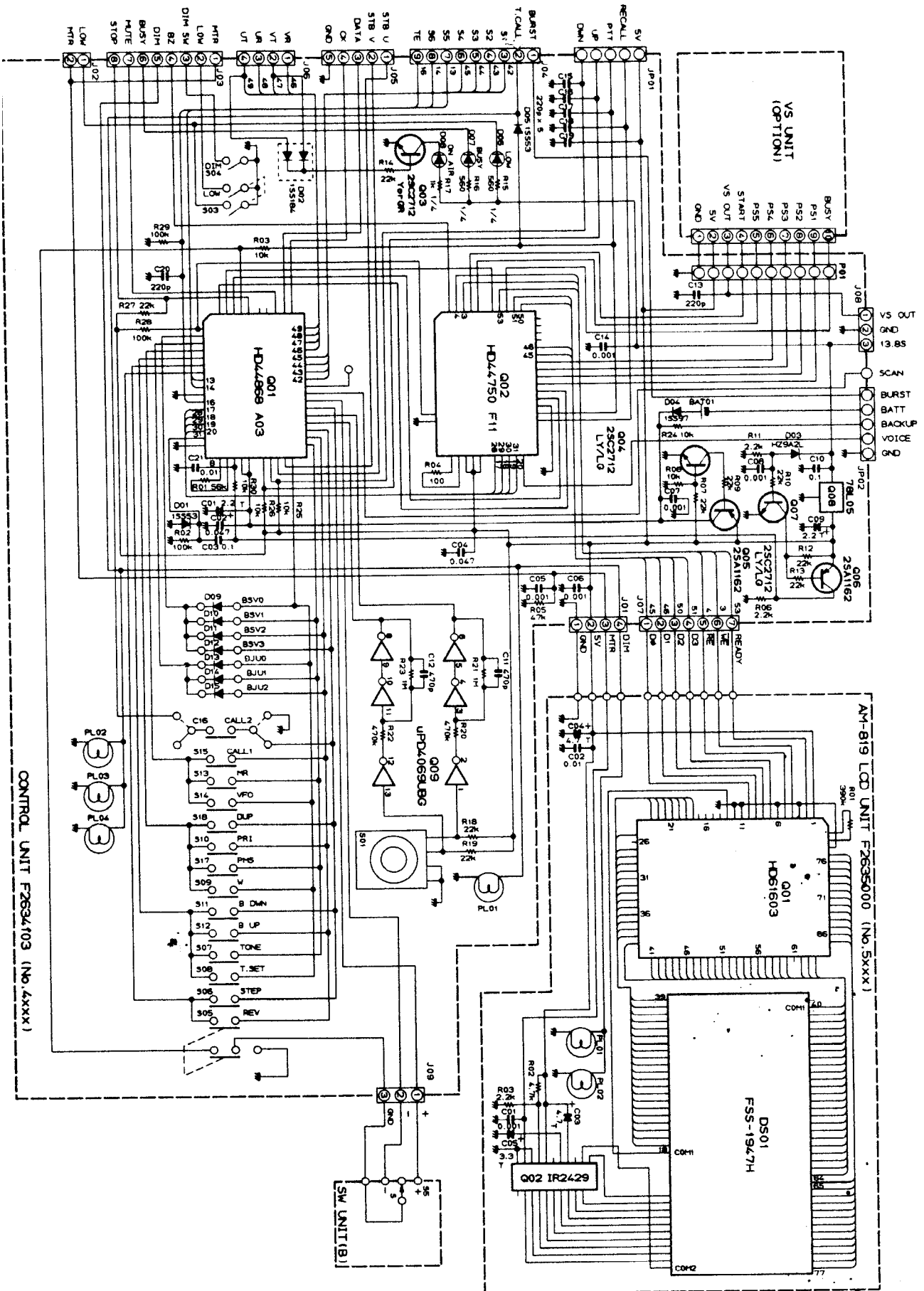
Q07 Q08 Q15 } 2SC2712Y or GR
 Q17 Q18 Q19 }
 Q22 Q24 }

PLL UNIT SCHEMATIC DIAGRAM



PLL UNIT F2694102 (No. 3xxx)

CONTROL UNIT SCHEMATIC DIAGRAM



CONTROL UNIT F2634103 (NO. 4xxx)