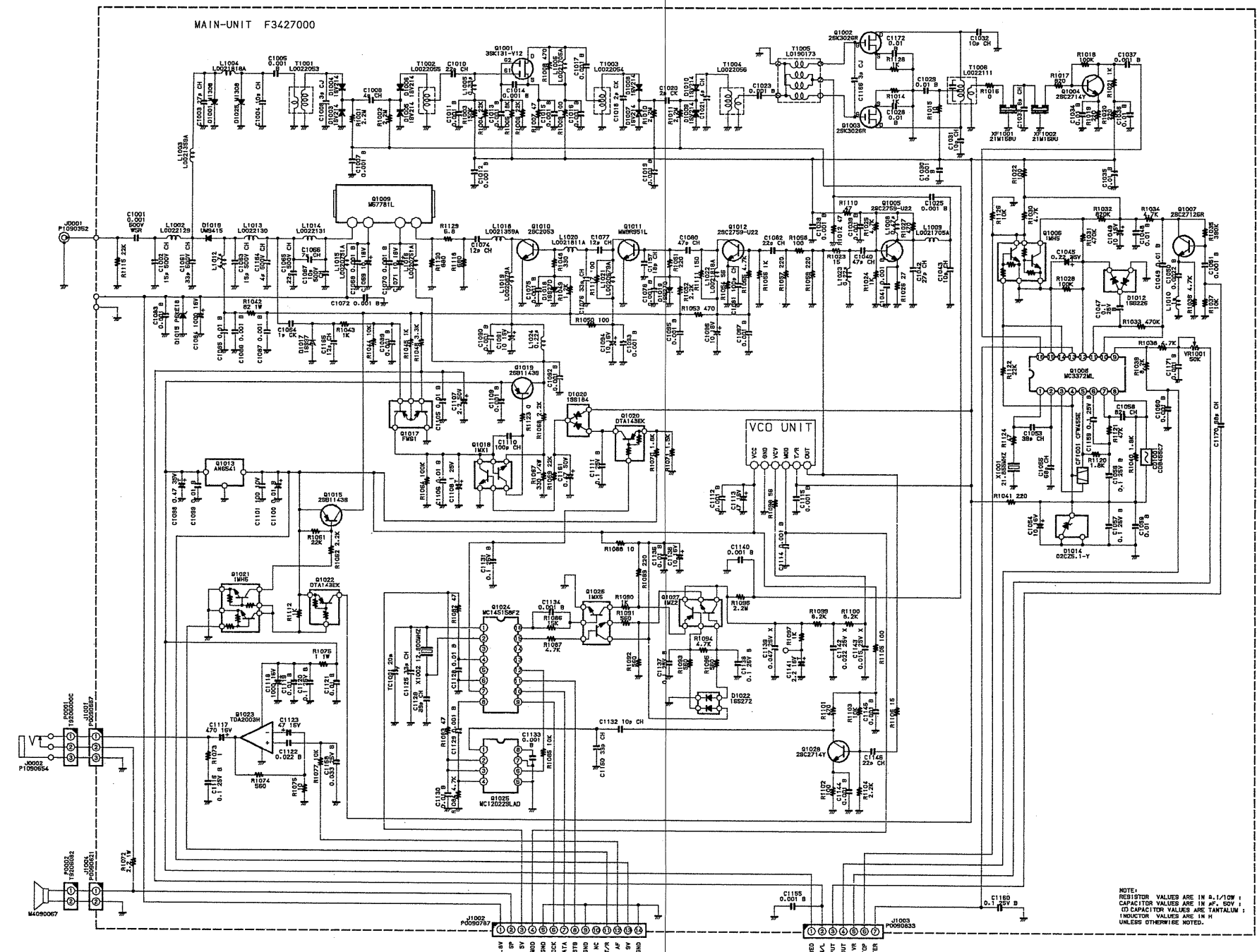
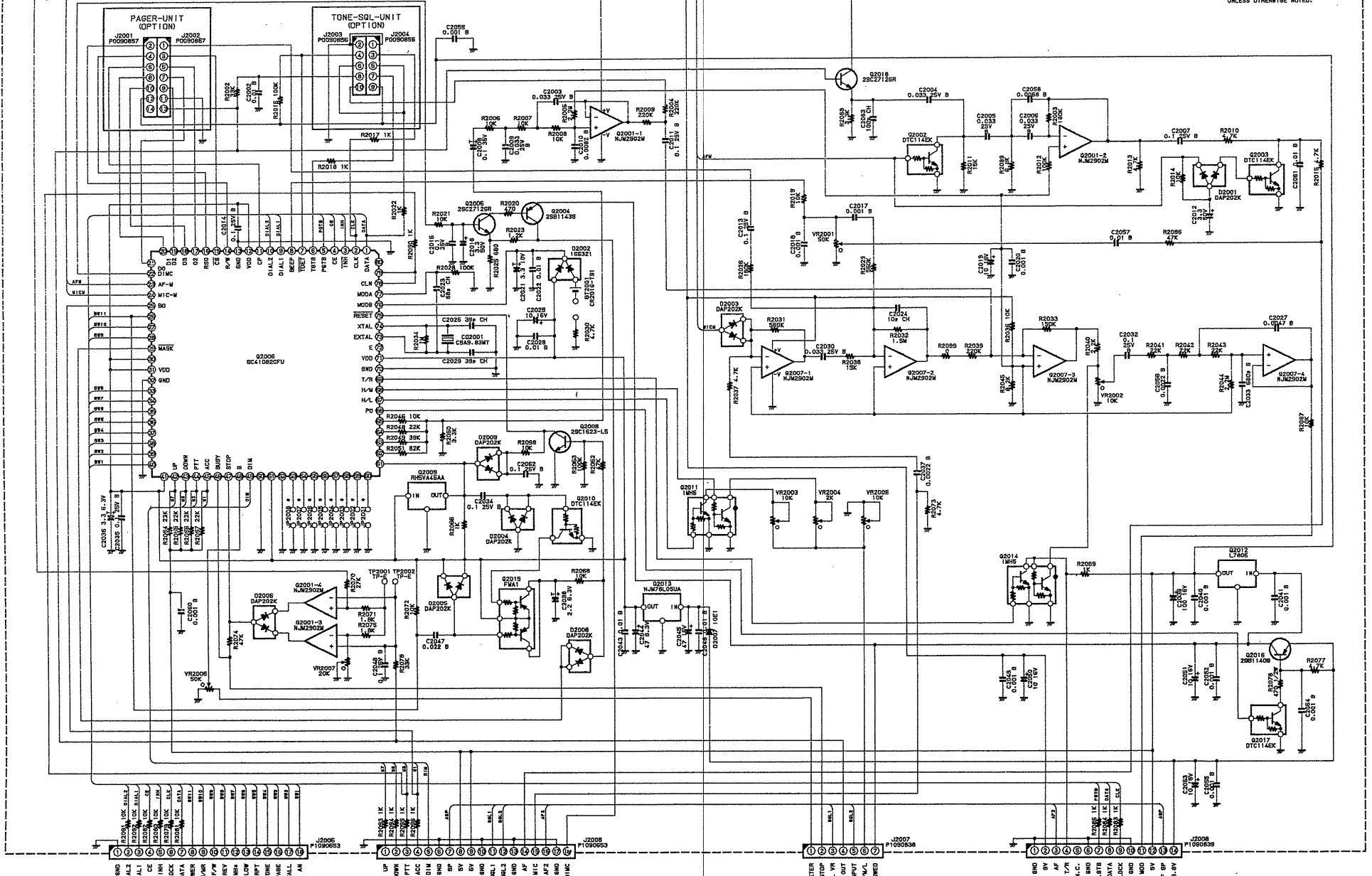


# FT-2500M Circuit Diagram

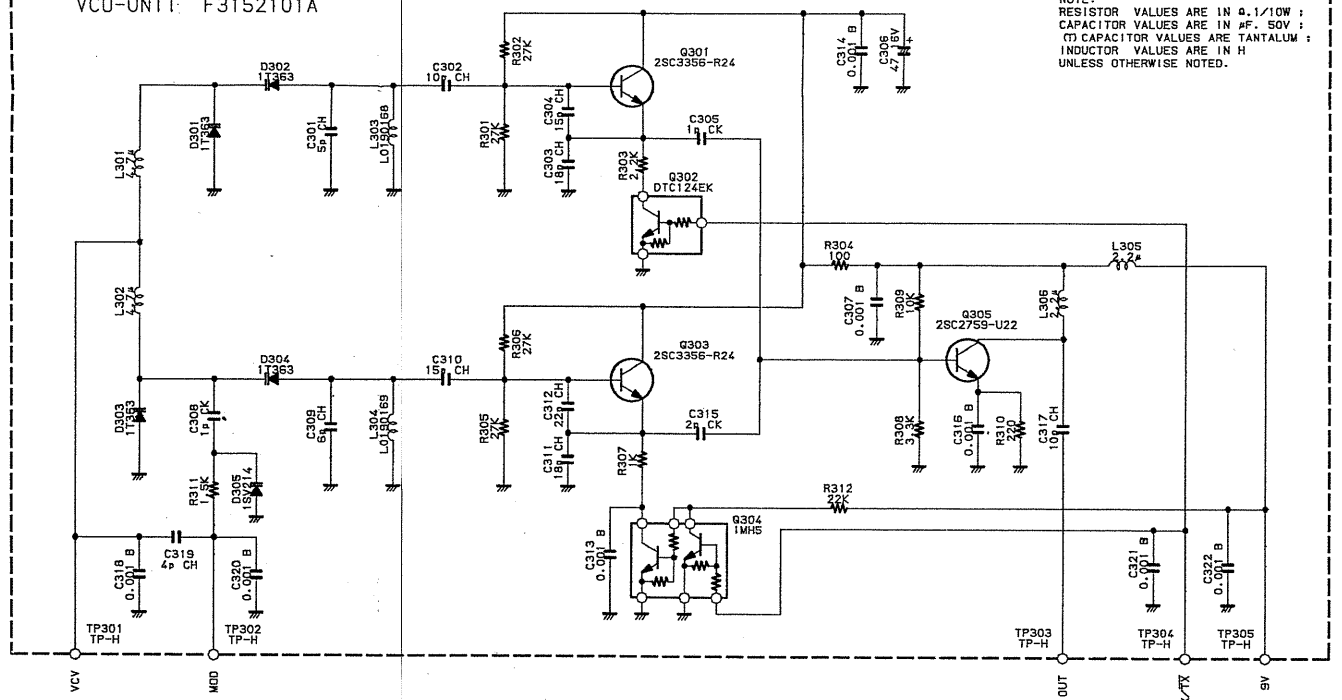


NOTE: RESISTOR VALUES ARE IN  $\Omega$ , 1/10W ; CAPACITOR VALUES ARE IN  $\mu$ F, 50V ;  $\text{C}$  CAPACITOR VALUES ARE TANTALUM ; INDUCTOR VALUES ARE IN H UNLESS OTHERWISE NOTED.



VCO-UNIT F3152101A

NOTE: RESISTOR VALUES ARE IN  $\Omega$ , 1/10W ; CAPACITOR VALUES ARE IN  $\mu$ F, 50V ;  $\text{C}$  CAPACITOR VALUES ARE TANTALUM ; INDUCTOR VALUES ARE IN H UNLESS OTHERWISE NOTED.



DISP-UNIT F3426102

NOTE: RESISTOR VALUES ARE IN  $\Omega$ , 1/10W ; CAPACITOR VALUES ARE IN  $\mu$ F, 50V ;  $\text{C}$  CAPACITOR VALUES ARE TANTALUM ; INDUCTOR VALUES ARE IN H UNLESS OTHERWISE NOTED.

