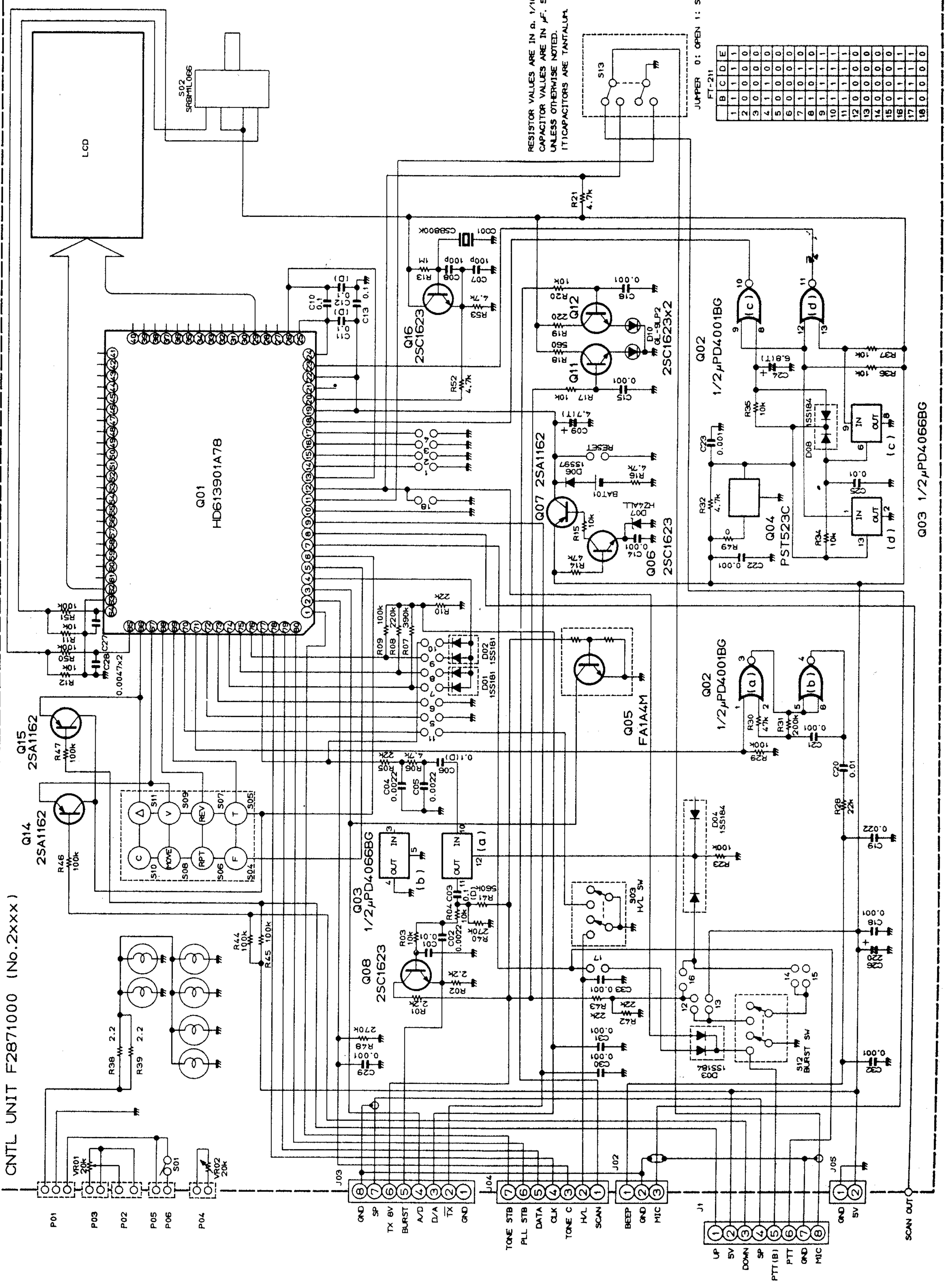


CNTL UNIT F2871000 (No.2xxx)



JUMPER 0: OPEN 1: SHORT
FT-211

B	C	D	E
1	1	1	1
2	0	0	0
3	0	0	0
4	1	0	0
5	0	0	0
6	0	0	0
7	1	0	0
8	1	0	1
9	1	1	1
10	1	1	1
11	1	1	1
12	0	0	0
13	0	0	0
14	0	0	0
15	0	0	0
16	1	1	1
17	1	1	1
18	0	0	0

G03 1/2 μPD4066BG

G02 1/2 μPD4001BG

G02 1/2 μPD4001BG

G03 1/2 μPD4066BG

G08 2SC1623

Q03 1/2 μPD4066BG

Q08 2SC1623

G01 HD613901A78

Q14 2SA1162

Q15 2SA1162

Q16 2SC1623

Q07 2SA1162

Q06 2SC1623

Q05 FA1A4M

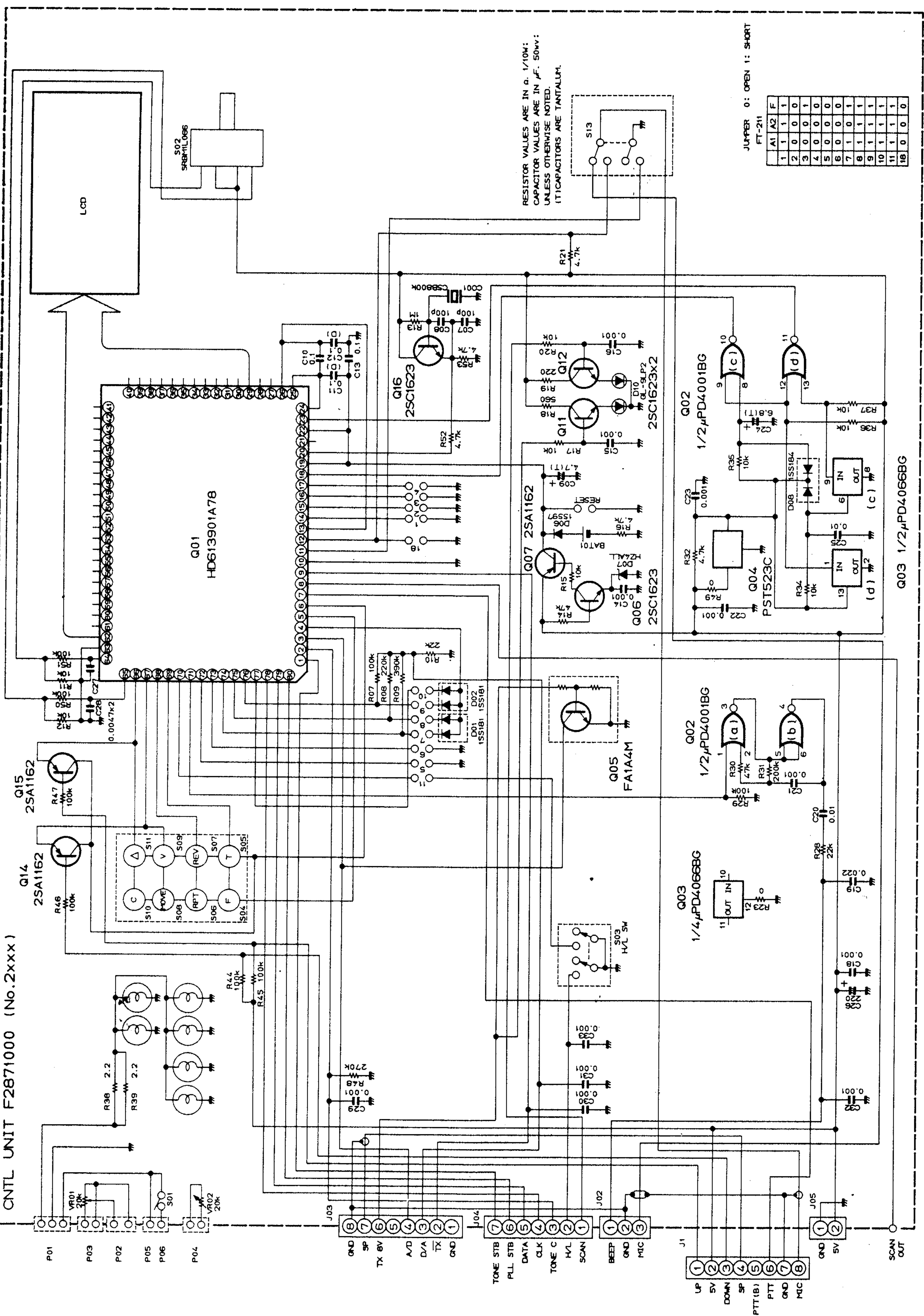
Q02 1/2 μPD4001BG

Q02 1/2 μPD4001BG

Q04 PST523C

- P01 VR01 20k
 P03 S01
 P02 VR02 20k
 P05 J03
 P06 J04
 P04 J05
- J03: GND, SP, TX, BURST, A/D, D/A, TX, GND
 J04: TONE STB, PLL STB, DATA, CLK, TONE C, HVL, SCAN, BEEP, GND, MIC
 J05: GND, 5V
- J1: UP, 5V, DOWN, SP, PTT(B), PTT, GND, MIC
 J02: BEEP, GND, MIC
 J06: GND, 5V, SCAN OUT

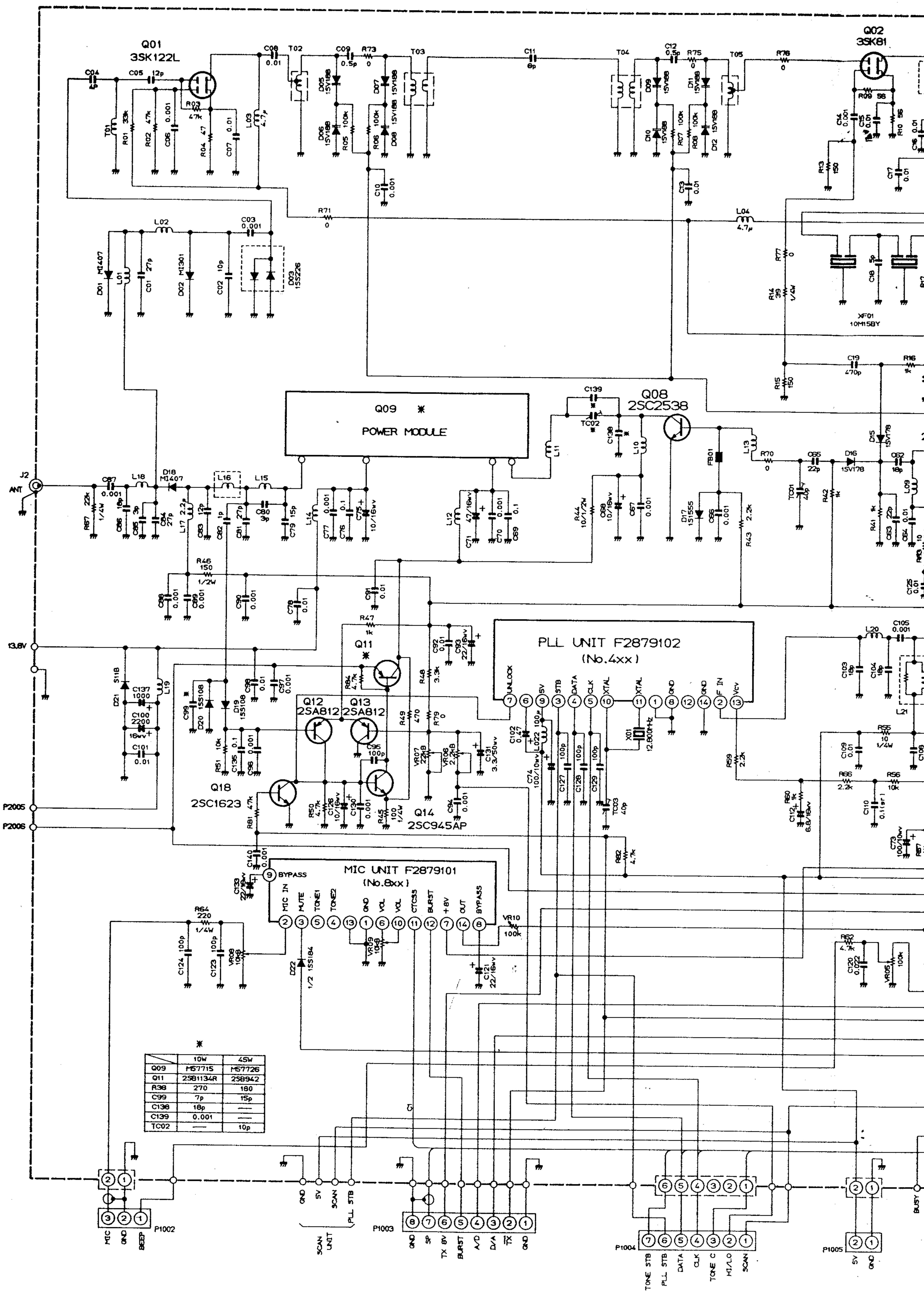
CNTL UNIT F2871000 (No.2xxxx)



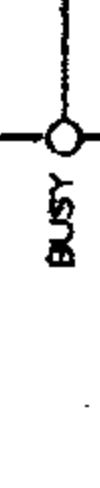
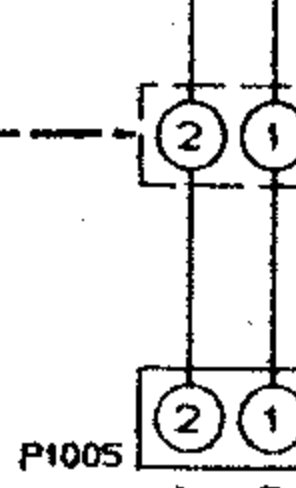
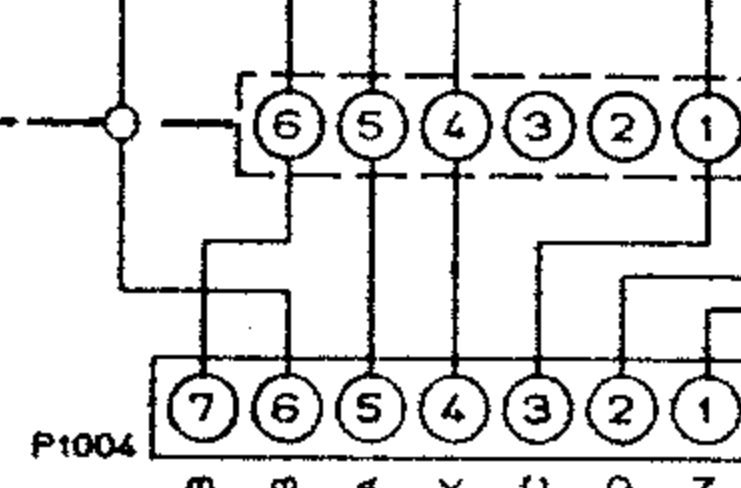
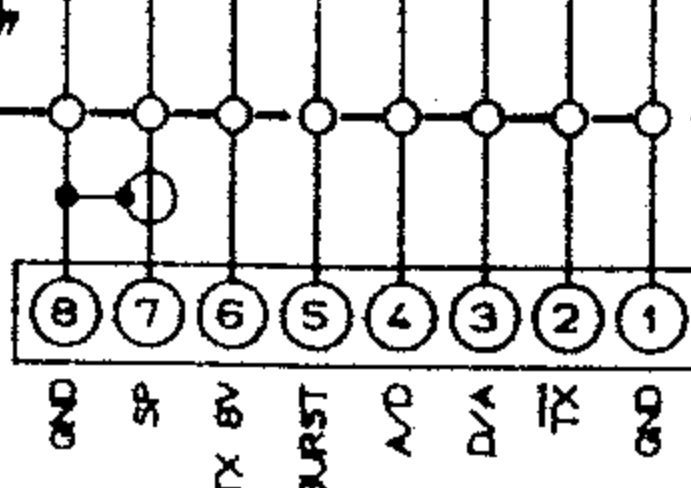
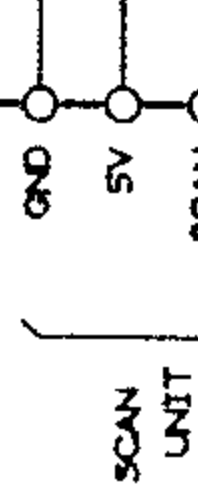
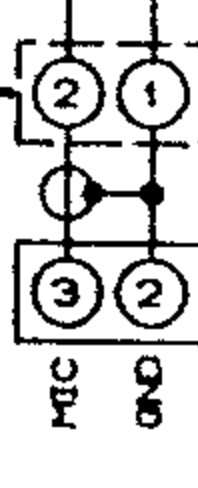
RESISTOR VALUES ARE IN Ω, 1/10Ω;
CAPACITOR VALUES ARE IN μF, 50μV;
IT1 CAPACITORS ARE TANTALUM.

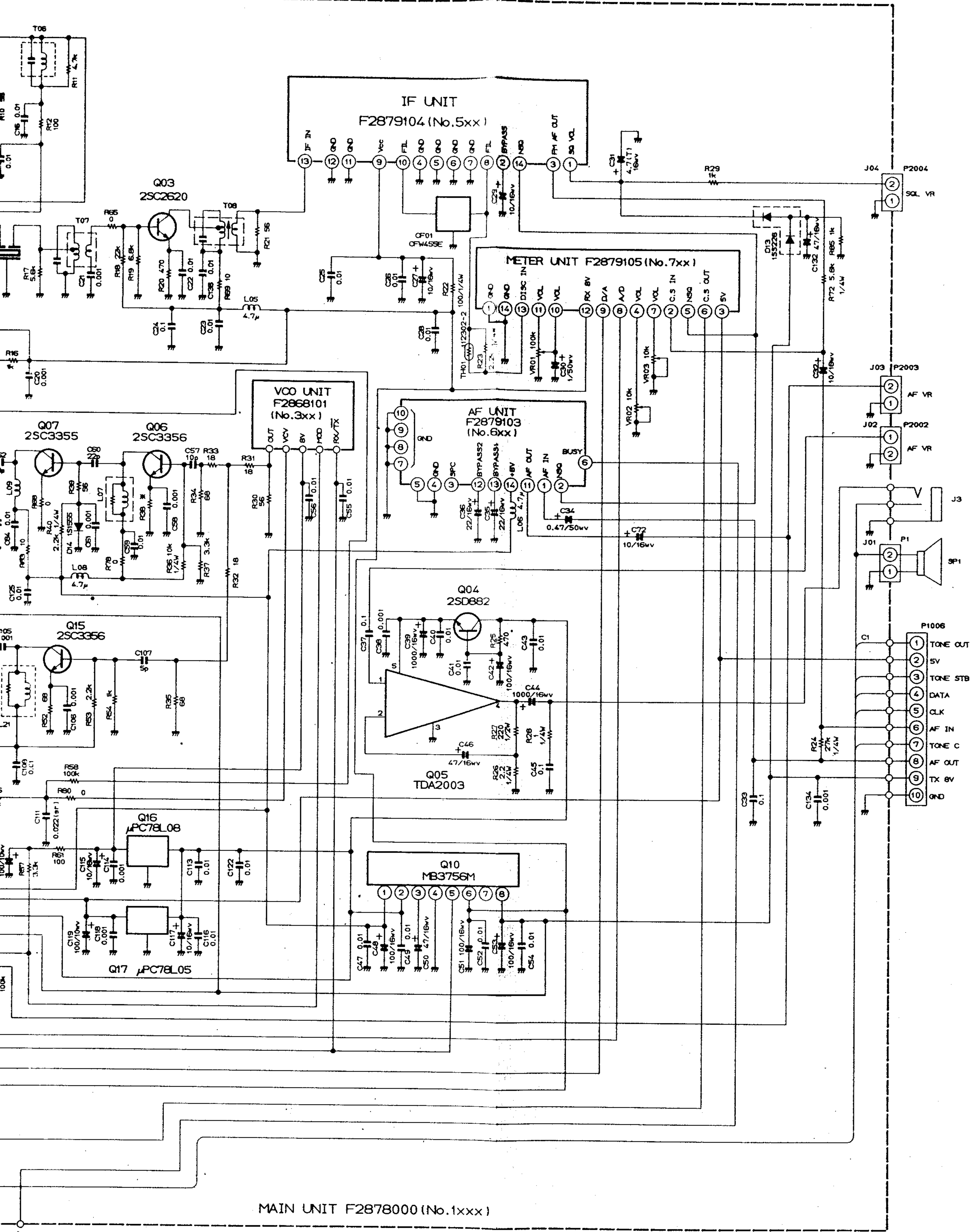
JUMPER 0: OPEN 1: SHORT
FT-211

A1	A2	F
1	1	1
2	0	0
3	0	0
4	0	0
5	0	0
6	0	0
7	1	0
8	1	1
9	1	1
10	1	1
11	1	1
1B	0	0



	10W	45W
Q09	M57715	M57726
Q11	25B1134R	25B942
R38	270	180
C99	7p	15p
C136	18p	
C139	0.001	
TC02		10p

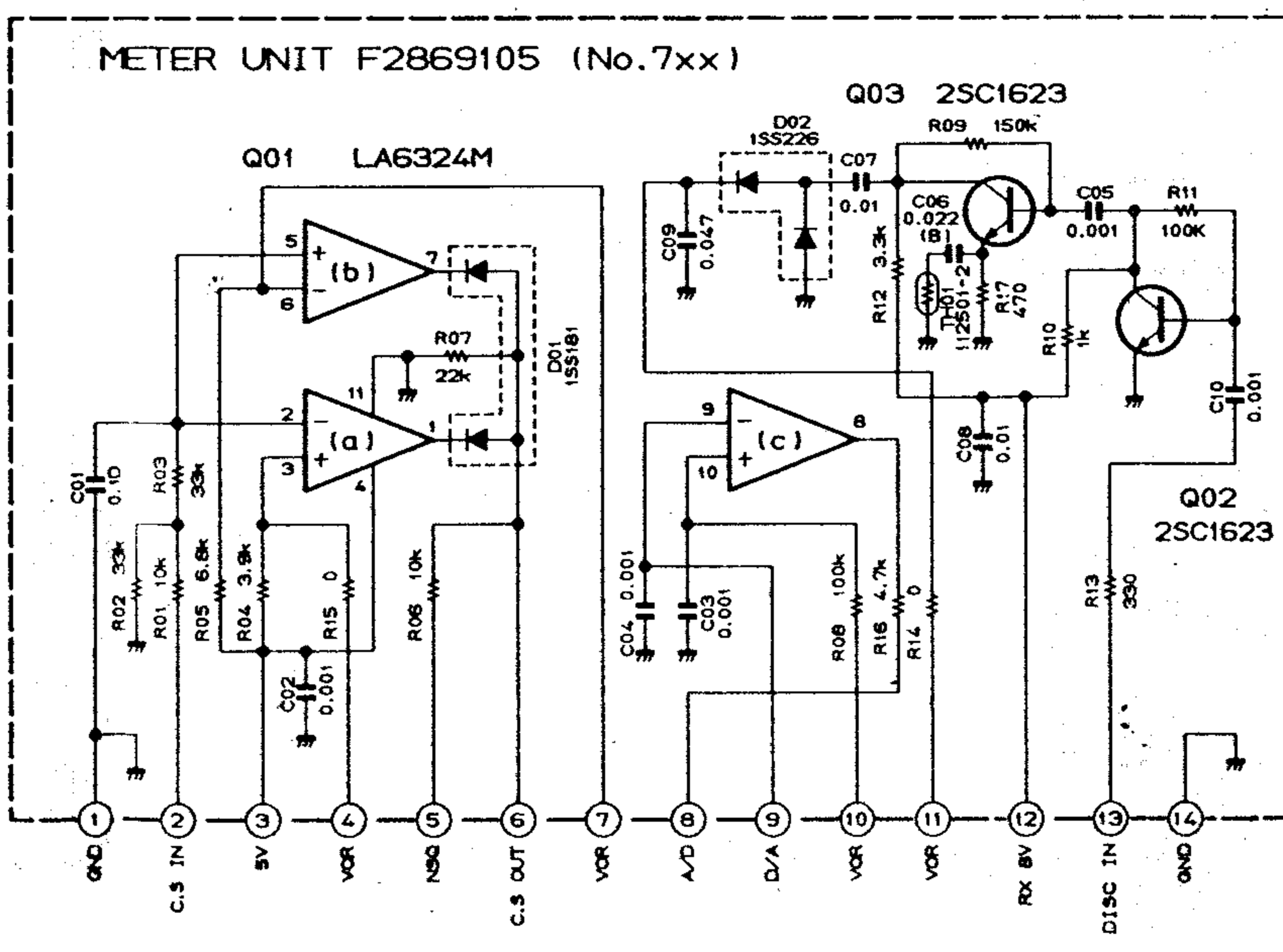
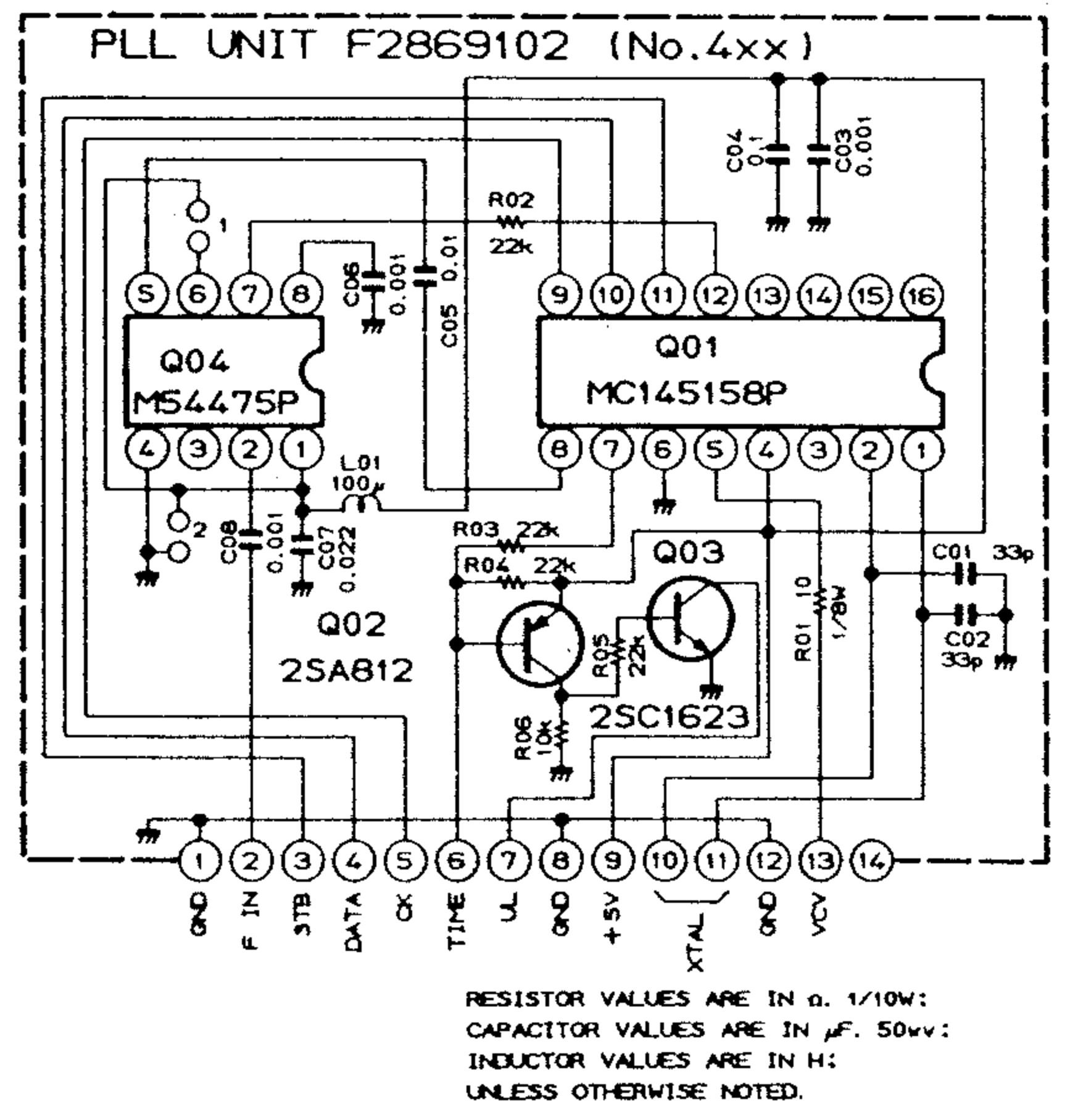
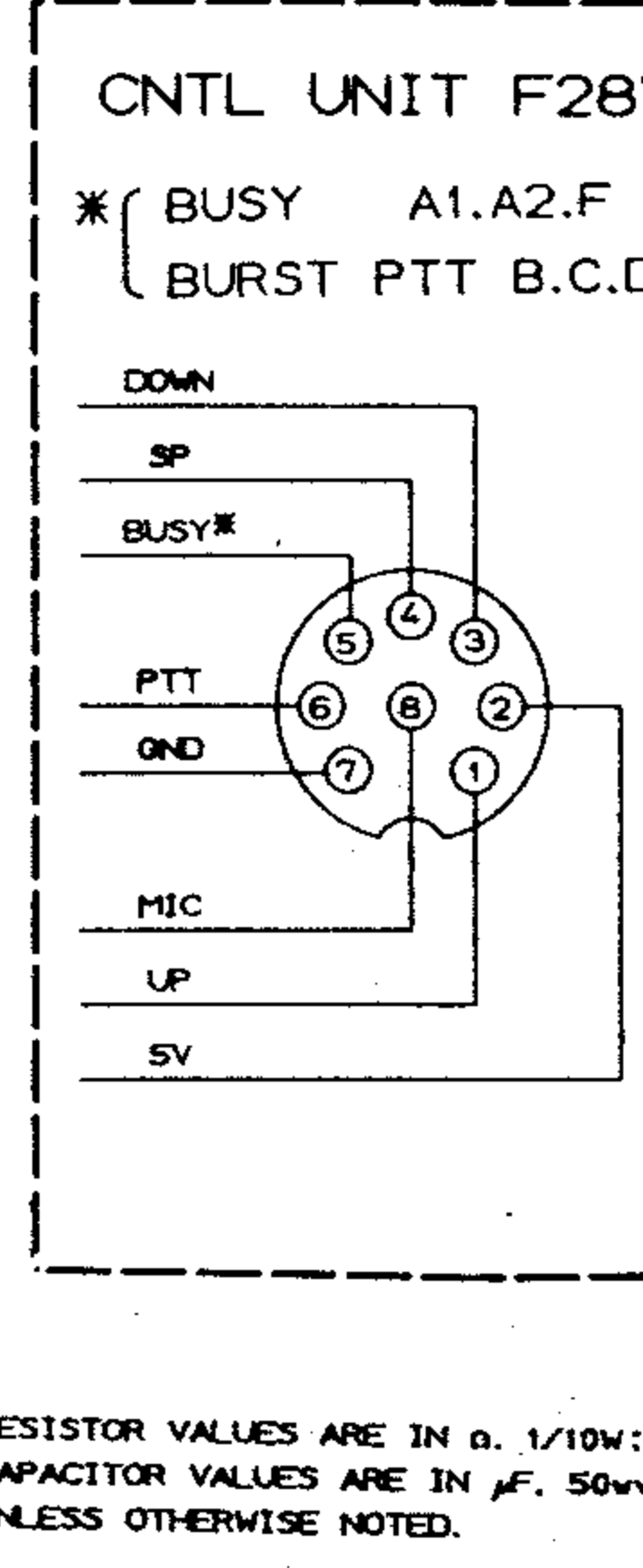
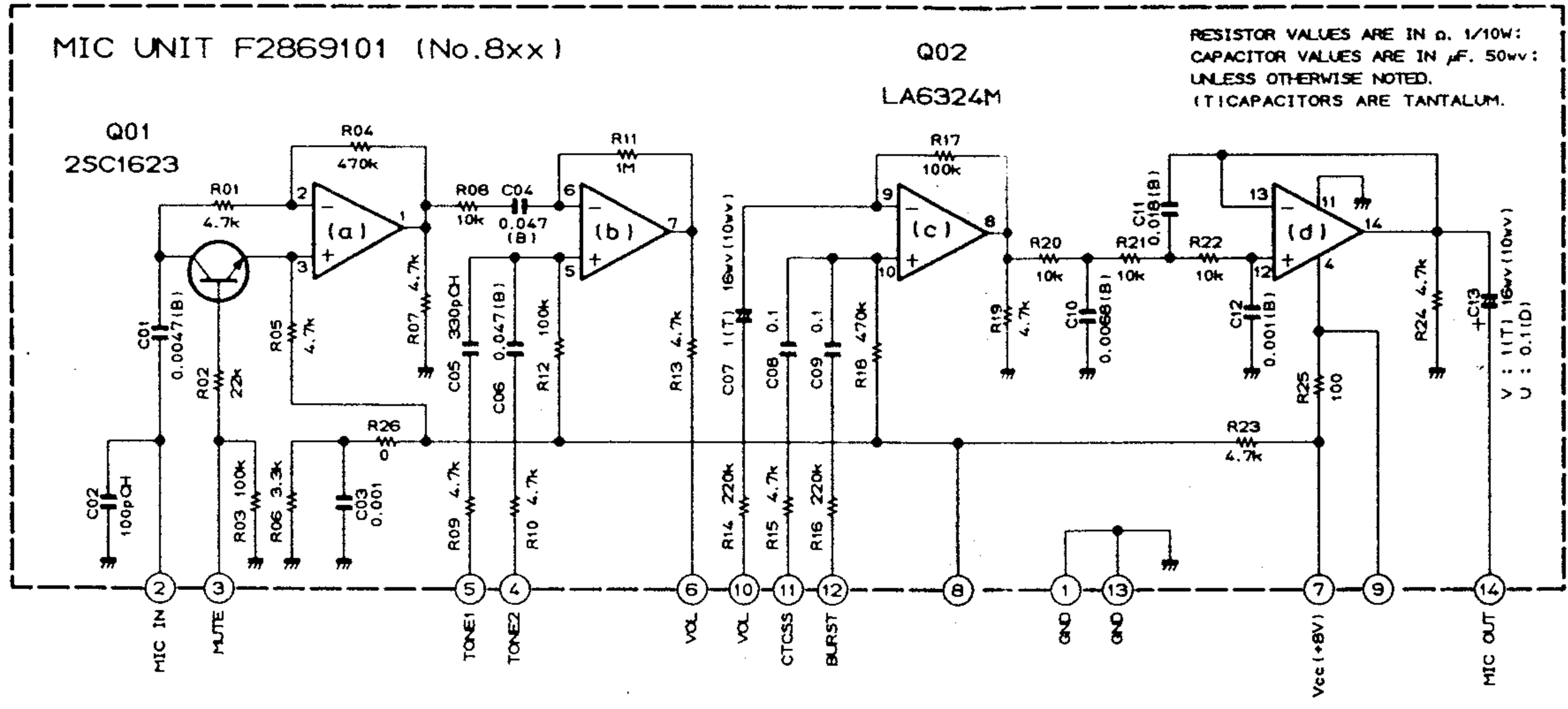
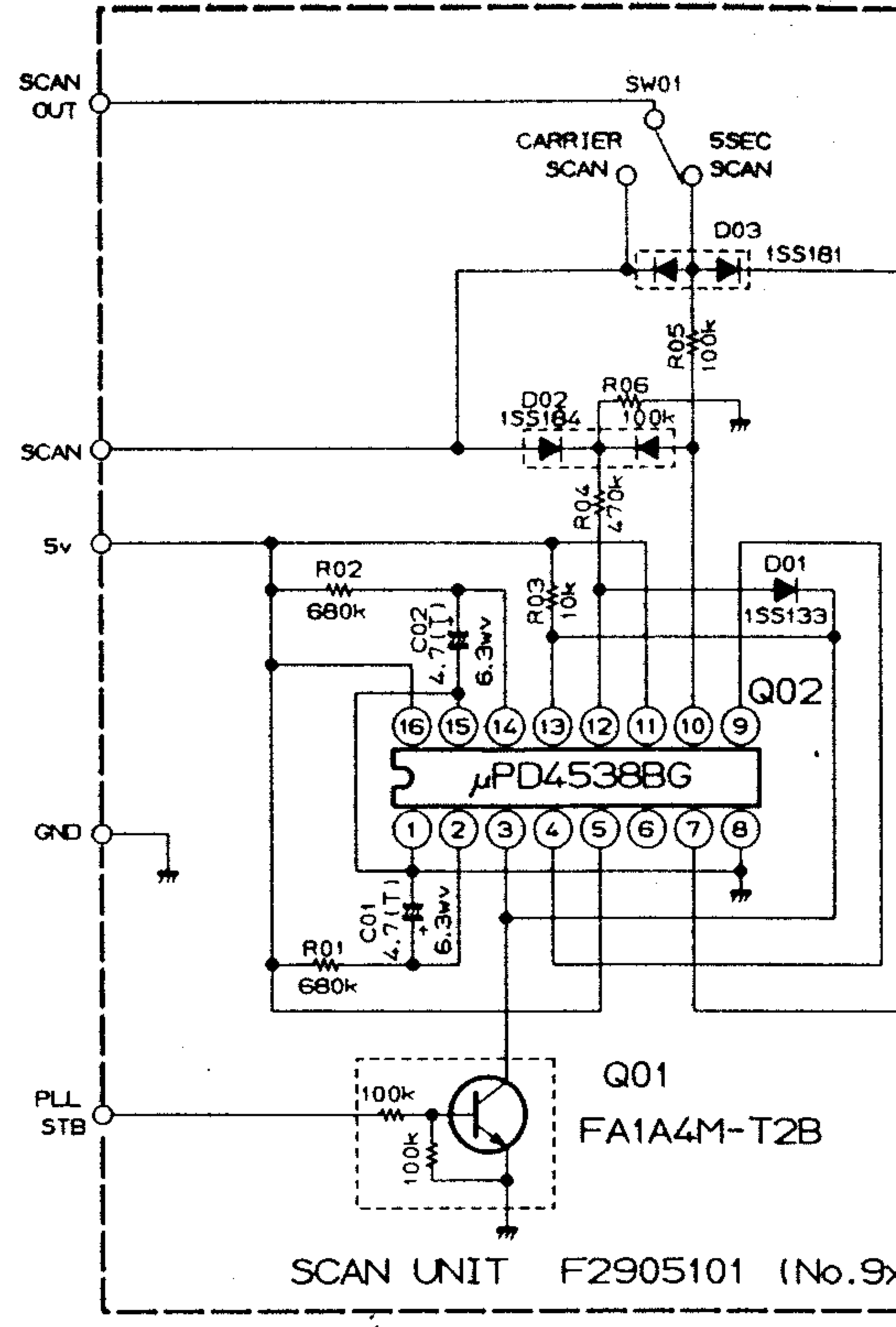
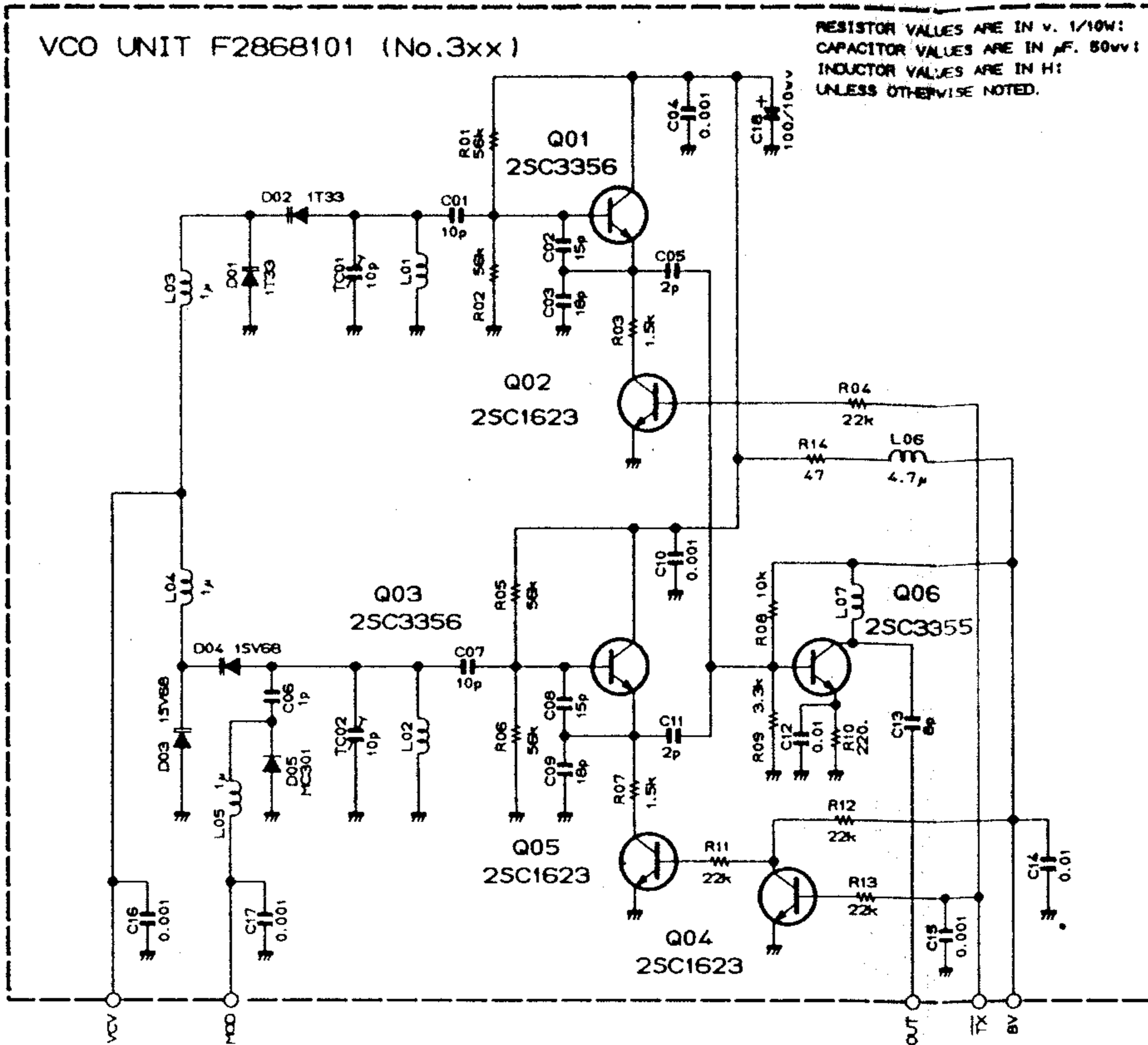




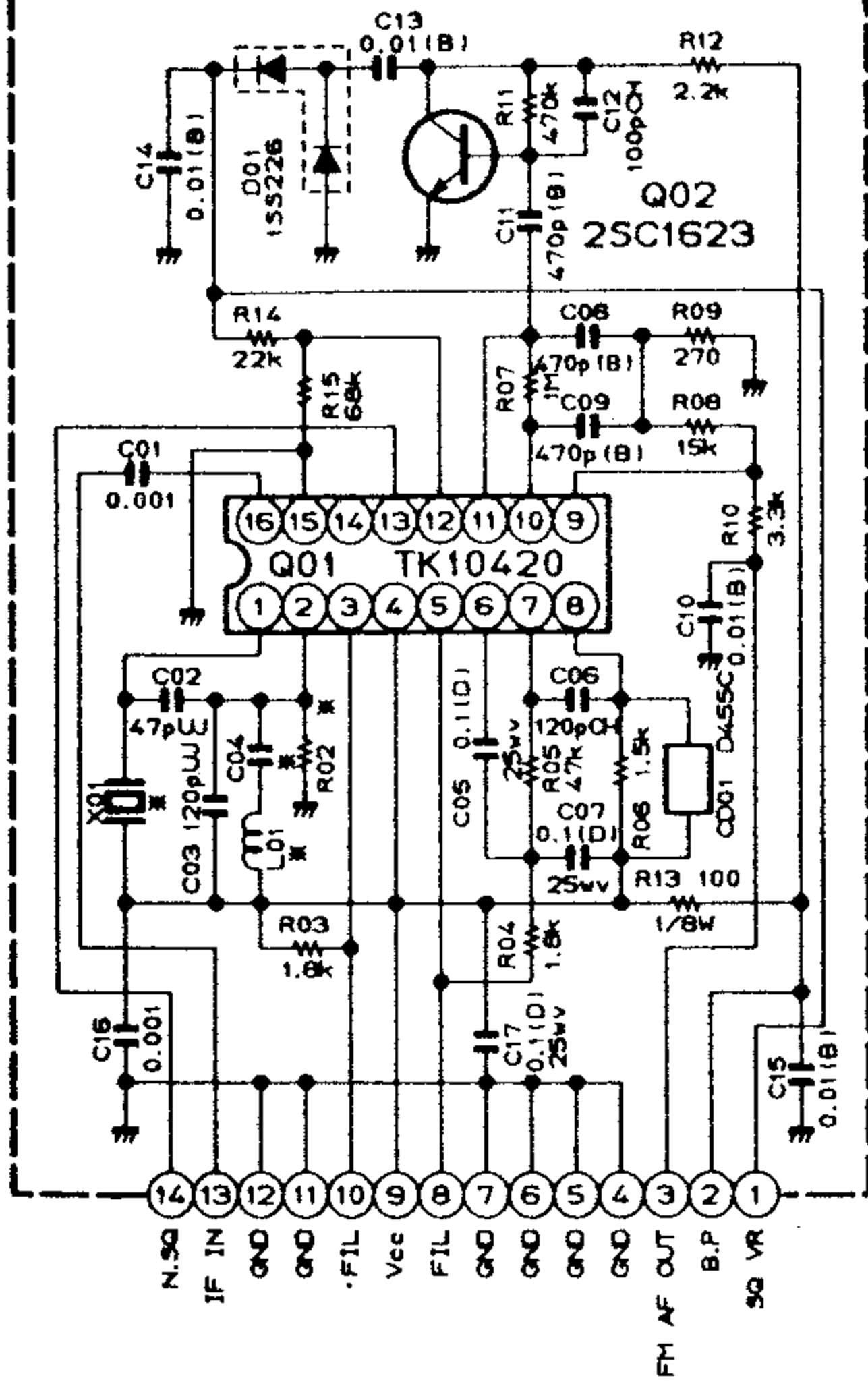
MAIN UNIT F2878000 (No.1xxx)

RESISTOR VALUES ARE IN Ω, K, M, 10W.
 CAPACITOR VALUES ARE IN pF, 50WV.
 INDUCTOR VALUES ARE IN HENRIES, UNLESS OTHERWISE NOTED.
 (T) CAPACITORS ARE TANTALUM, 10WV.
 (S) CAPACITORS ARE SEMICONDUCTOR CERAMIC, 25WV.

FT-211
CIRCUIT DIAGRAM



IF UNIT F2869104 (No.5xx)

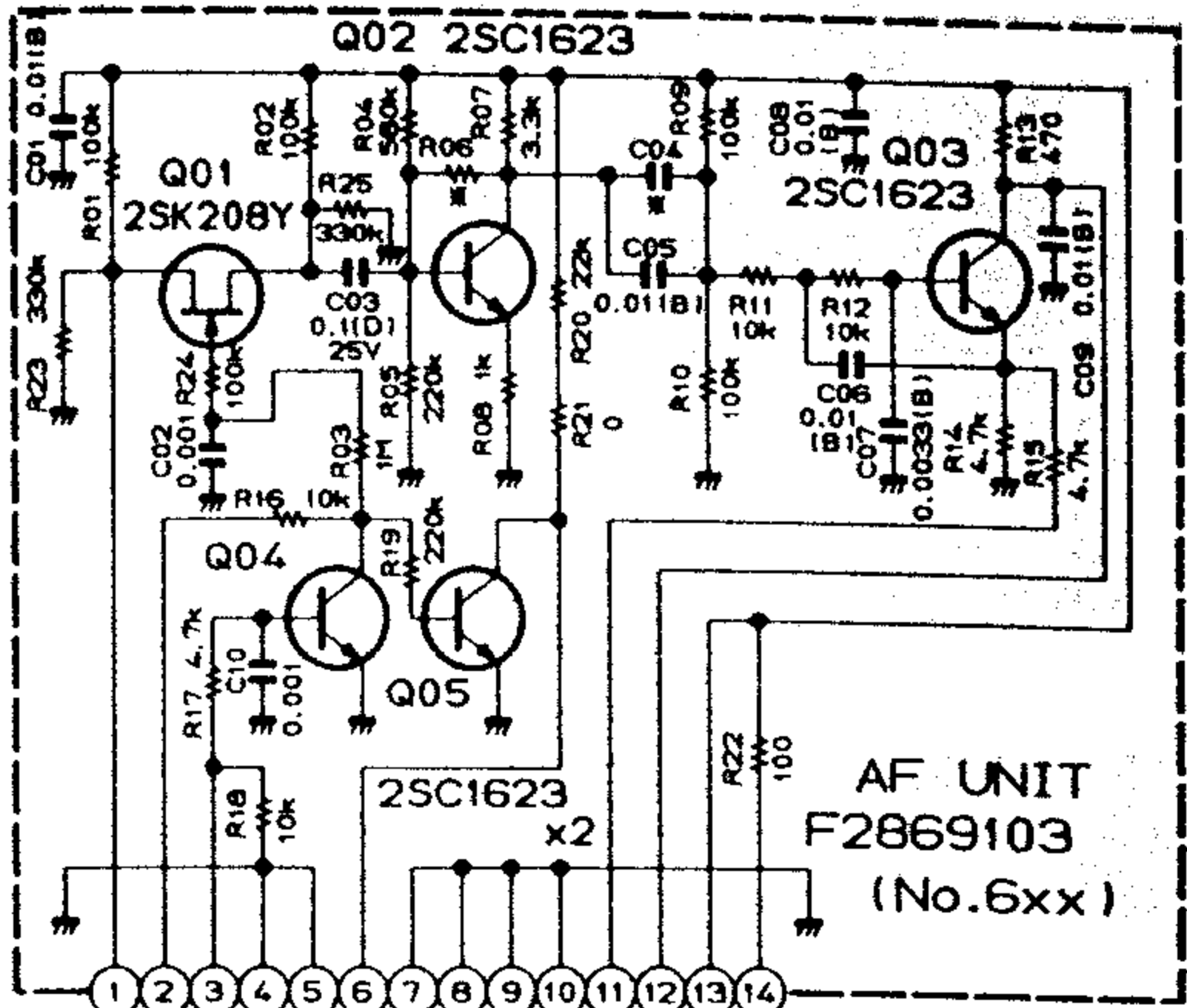


RESISTOR VALUES ARE IN Ω, 1/10W;
 CAPACITOR VALUES ARE IN μF, 50V;
 INDUCTOR VALUES ARE IN H;
 UNLESS OTHERWISE NOTED.

* X01 : V — 10.245MHz
 U — 16.745MHz TC — 49/T

R02 : V — OUT OF USE
 U — 100k

C04 : OUT OF USE
 L01 : OUT OF USE



RESISTOR VALUES ARE IN Ω, 1/10W;
 CAPACITOR VALUES ARE IN μF, 50V;
 UNLESS OTHERWISE NOTED.
 * R06 C04 : OUT OF USE

F2871000 (No.2xxx)

2.F
 B.C.D.E

1/10W;
 F, 50V;

2
 1623

MAIN UNIT F2878000 (No.1xxx)

