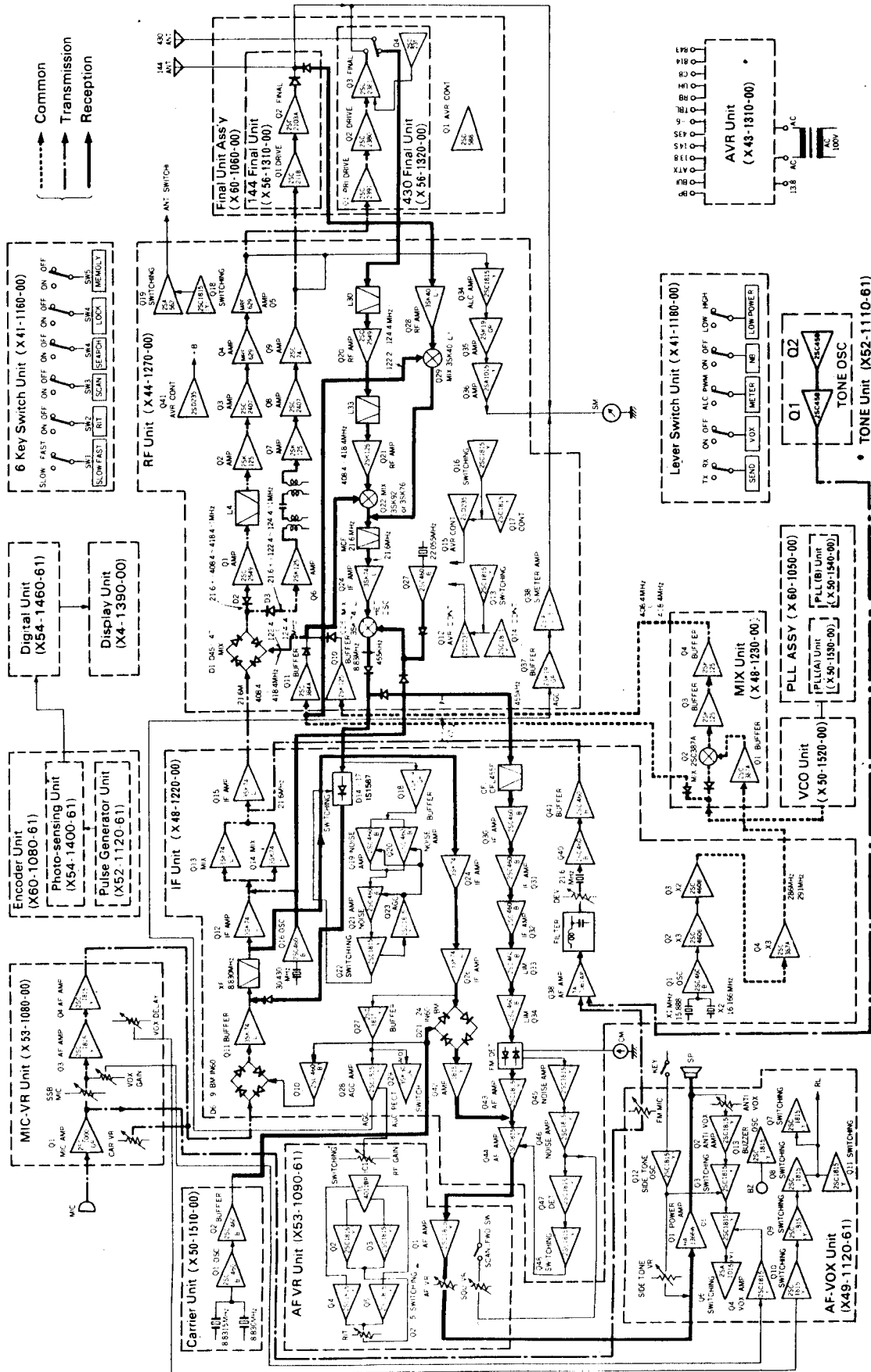
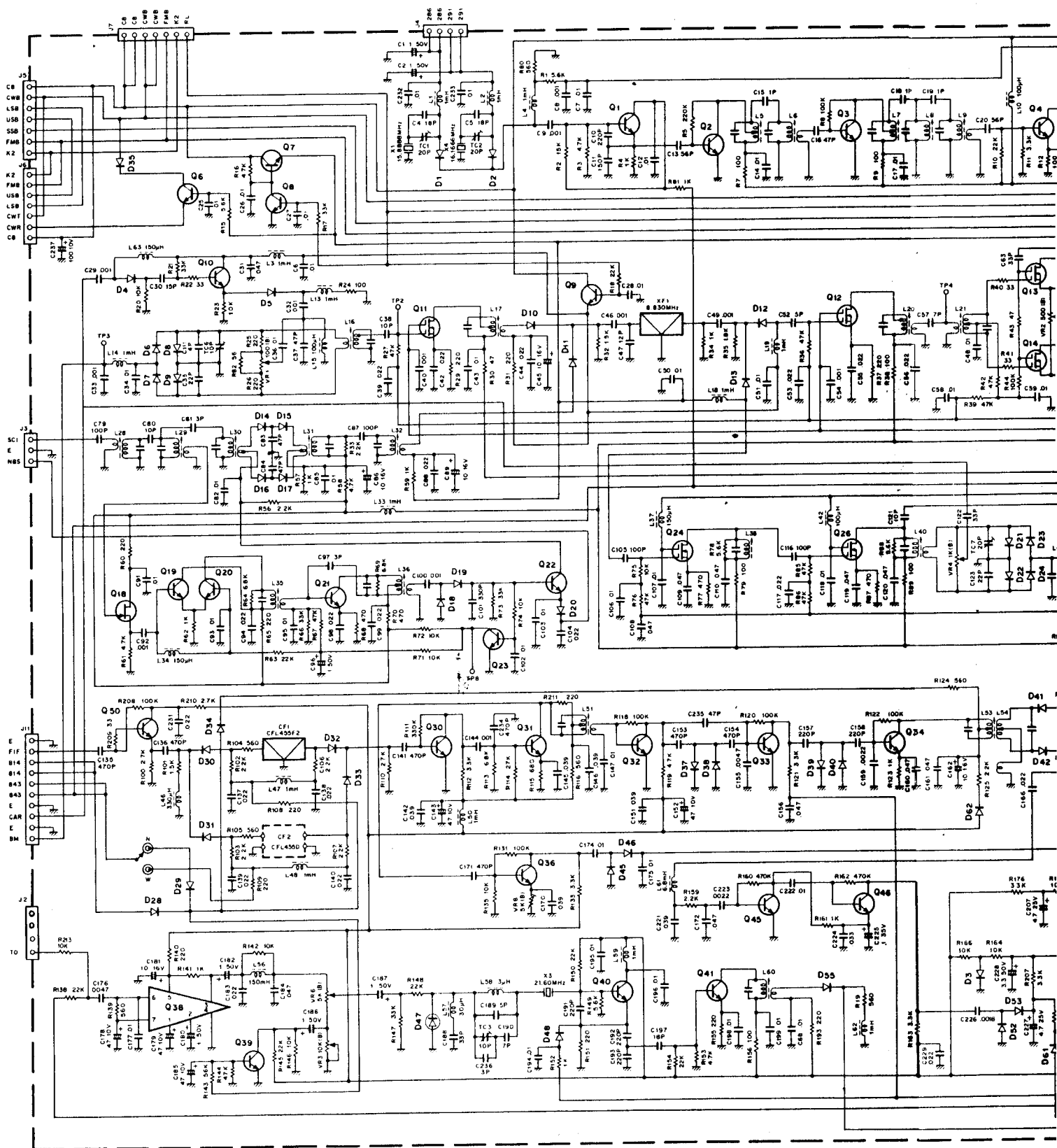


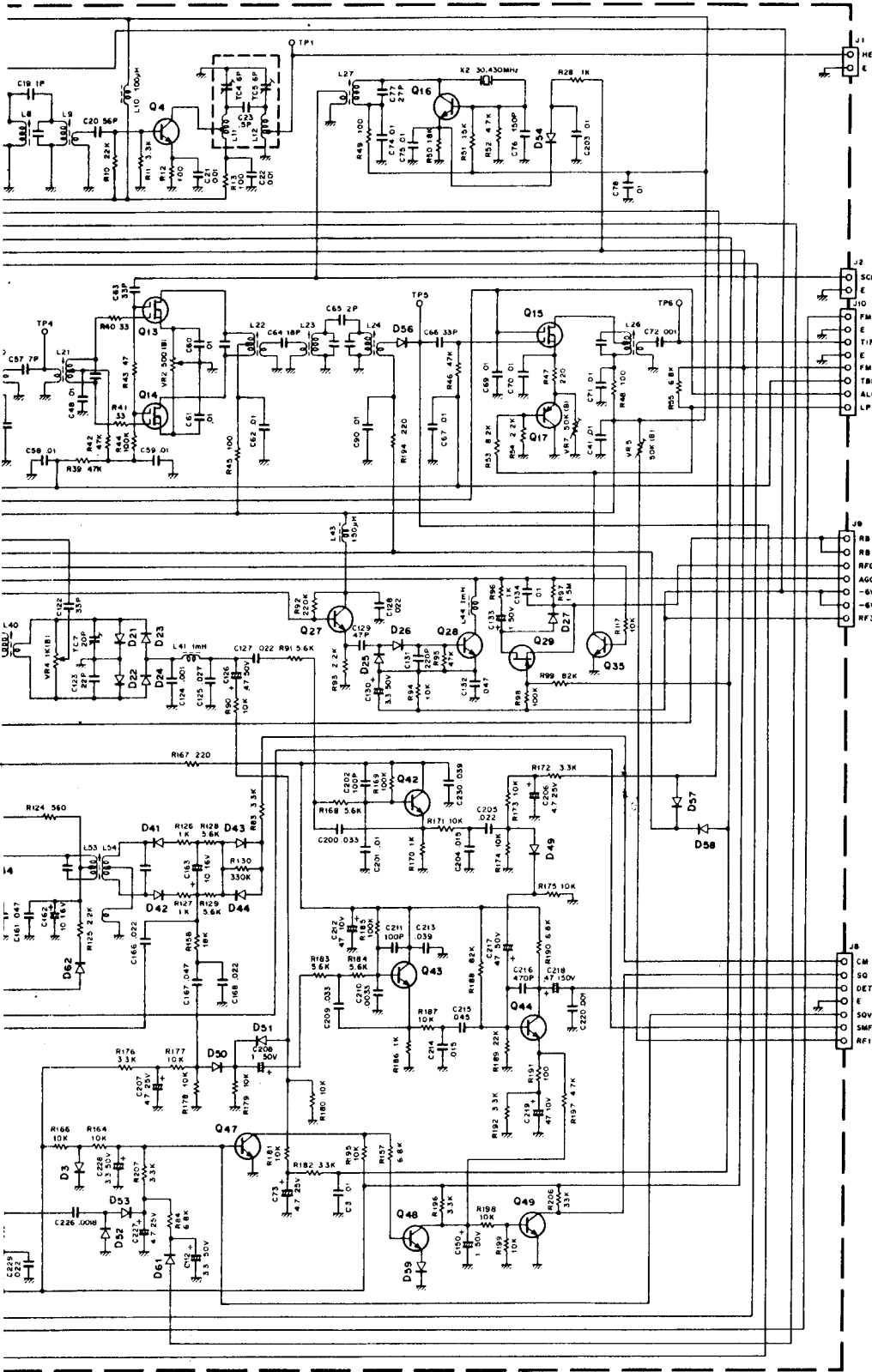
# BLOCK DIAGRAM



# SCHEMATIC DIAGRAM (IF U



# RAM (IF Unit) (TONE Unit)



Q1,10,16,19,20,21,30,31,32,33,34,36  
37,40,41,50

: 2SC460 (B)

Q2,3 : 2SC388A

Q4 : 2SC387A

Q5,6,7,8,9,22,23,27,28,39,42,43,44  
45,46,47,48,49

: 2SC1815 (Y)

Q11,13,14,15,24,26,12

: 3SK74 (L)

Q17 : 2SA1015 (Y)

Q18 : 2SK19 (GR)

Q29 : 2SK30A (O)

Q38 : TA7061AP

D1,2,5,10,11,12,13,14,15,16,17,30,31  
32,33

: 1S1587

D3 : 1S1212

D4,27,28,29,34,35,49,37,38,39,40  
48,50,51,54,55,56,57,58,59,62

: 1S1555

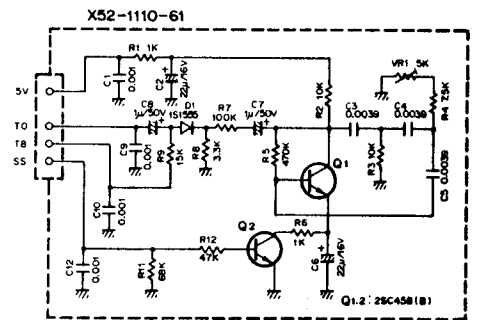
D6,7,8,9,18,19,21,22,23,24,25,26

41,42,43,44,45,46,52,53,61

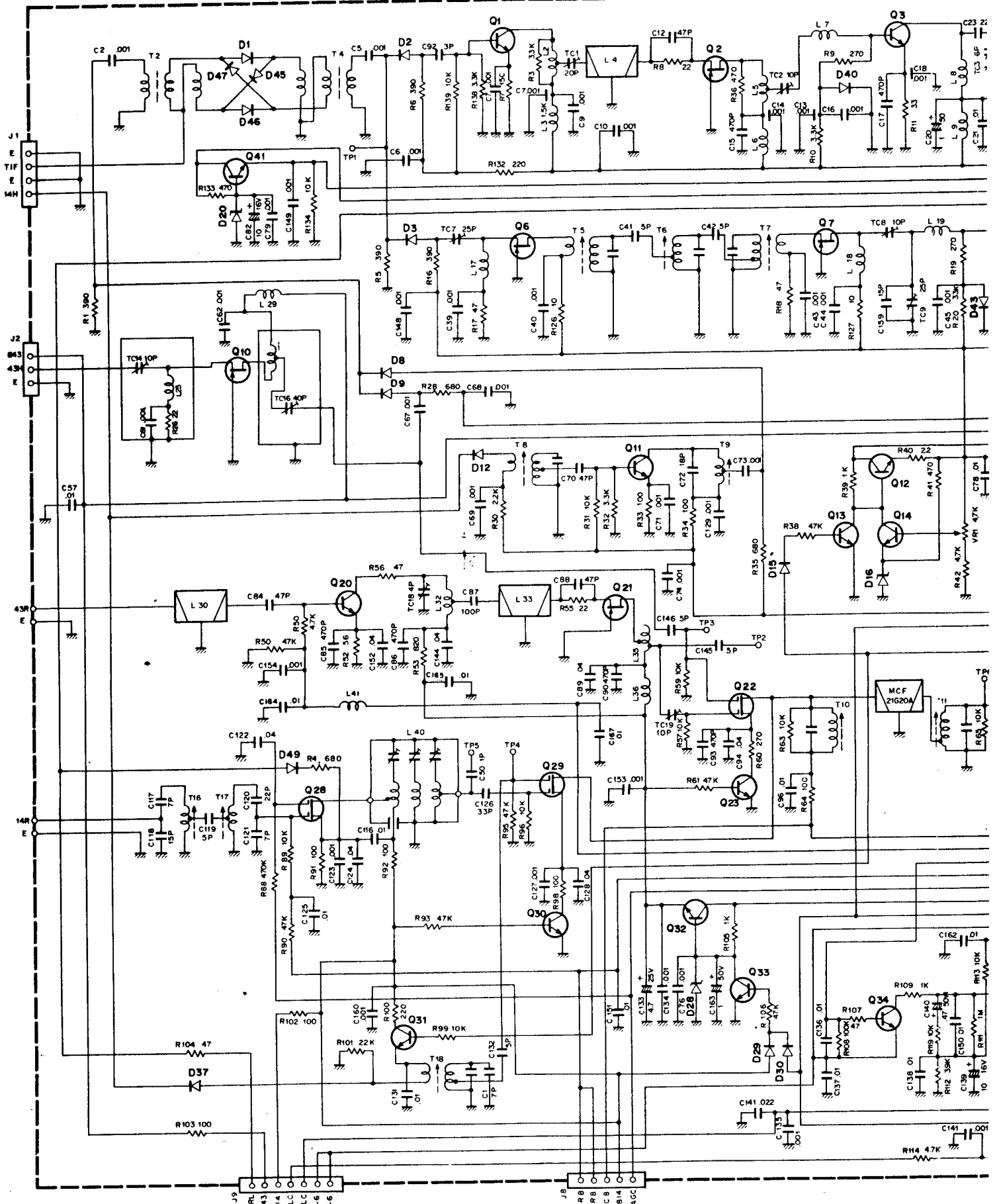
: 1N60

D20 : MV-13

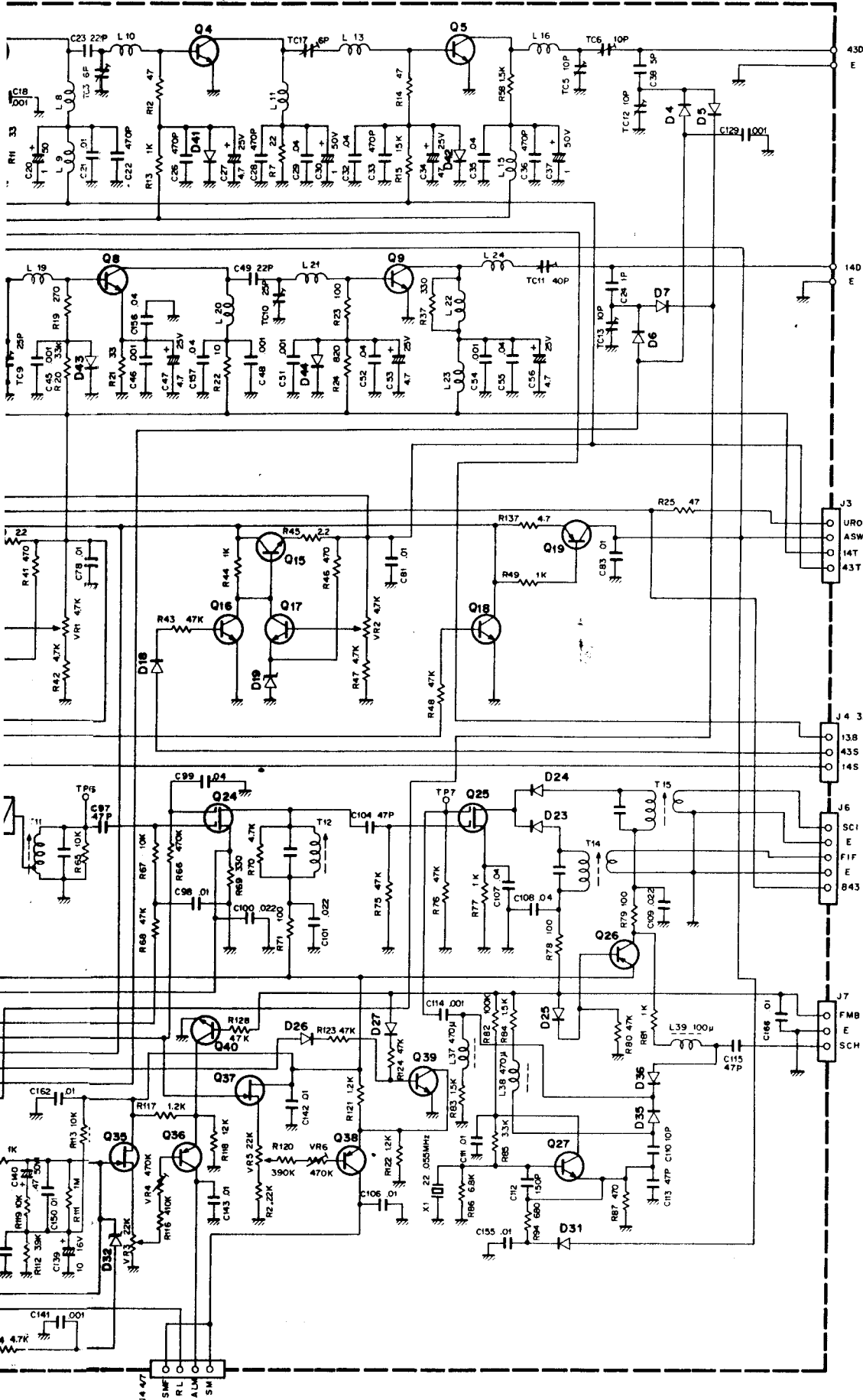
D47 : 1S2208



# SCHEMATIC DIAGRA

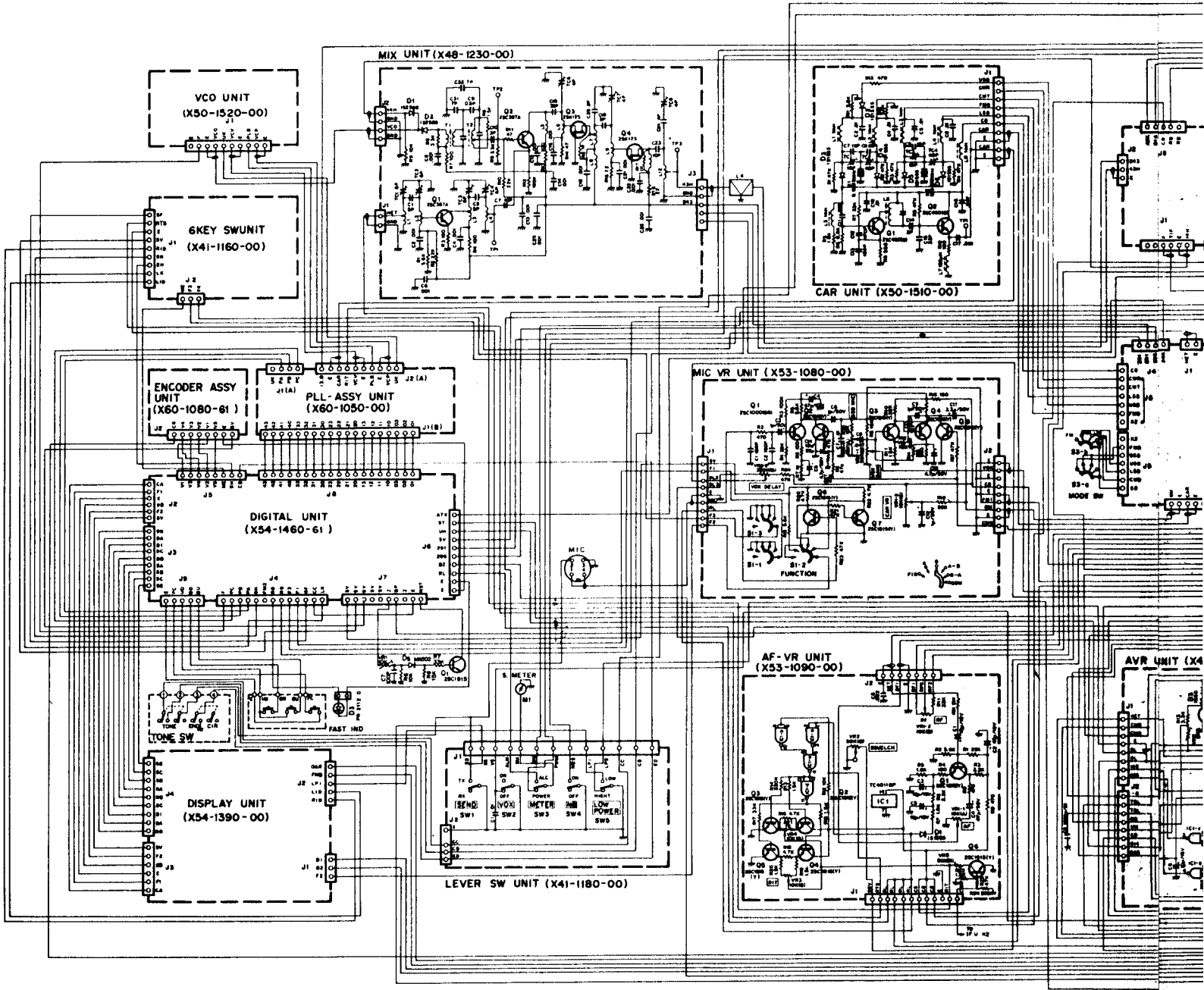


# AGRAM (RF Unit)



- Q2,6,7,10,21 : 2SK125
- Q3,8 : 2SC2407
- Q4,5 : MRF629
- Q9 : 2SC741
- Q11 : 2SC387A
- Q12,15,41 : 2SD235
- Q13,14,16~18,23 : 2SC1815(Y)
- Q19 : 2SA562(Y)
- Q1,20 : 2SC2549
- Q22 : 3SK92 or 3SK76
- Q24,25 : 3SK74(L)
- Q26~36,38 : 2SA1015(Y)
- Q27 : 2SC460(B)
- Q28,29 : 3SK40(L)
- Q32 : 2SC735(Y)
- Q35,37 : 2SK19(GR)
  
- D1,45~47 : 1SS97
- D2,3,9~11 : 1S2588
- D4~7,25 : 1N60
- D8,12,23,24,35~37 : 1S1587
- D15,18,26,27,29~31 : 1S1555
- D16,19,32 : XZ060
- D20 : XZ132
- D28 : XZ117
- D40,43 : MU13

# TS-770 SCHEMATIC



# HEMATIC DIAGRAM

The schematics and specifications are subject to change without notice for improvement.

