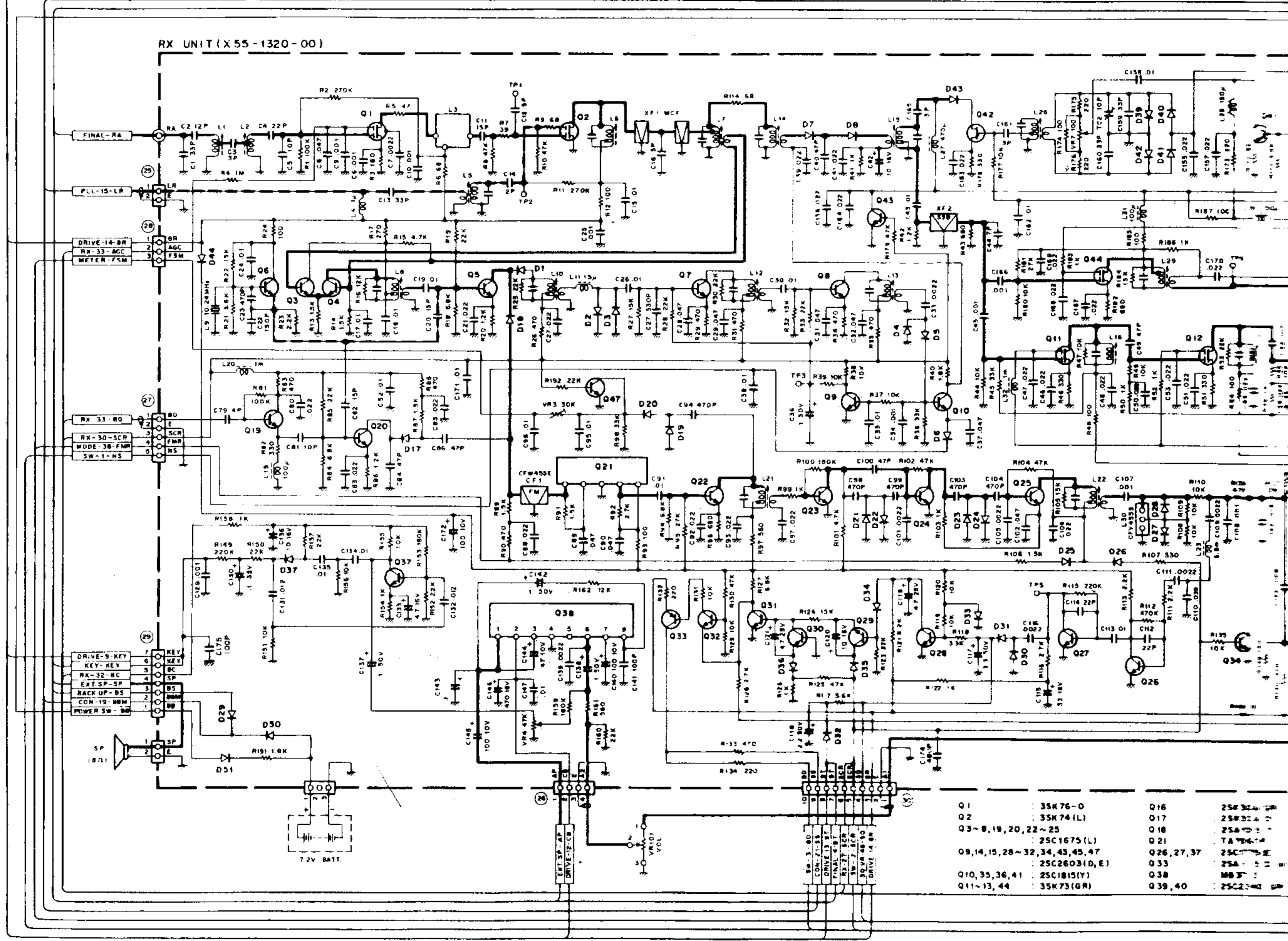
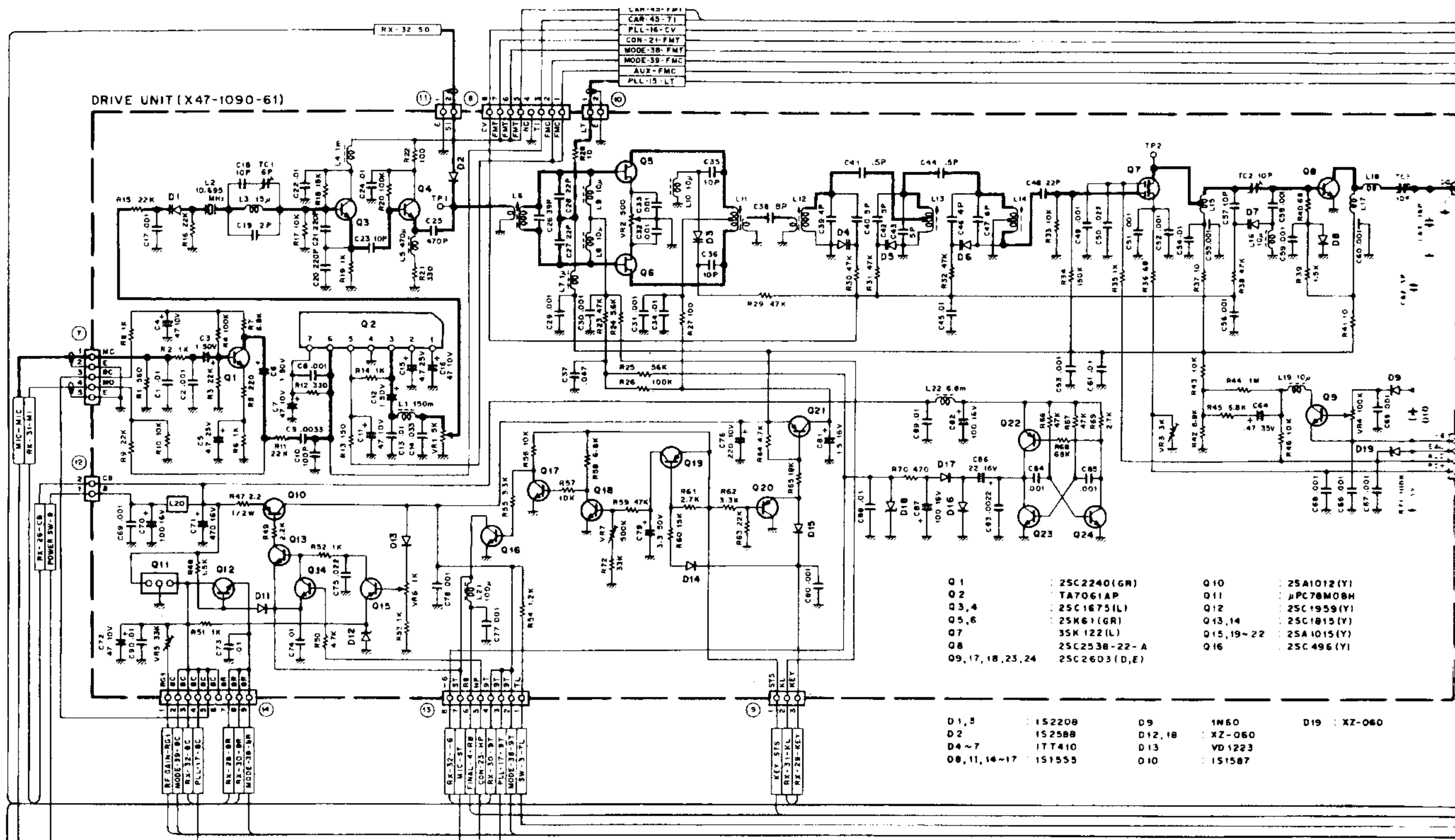
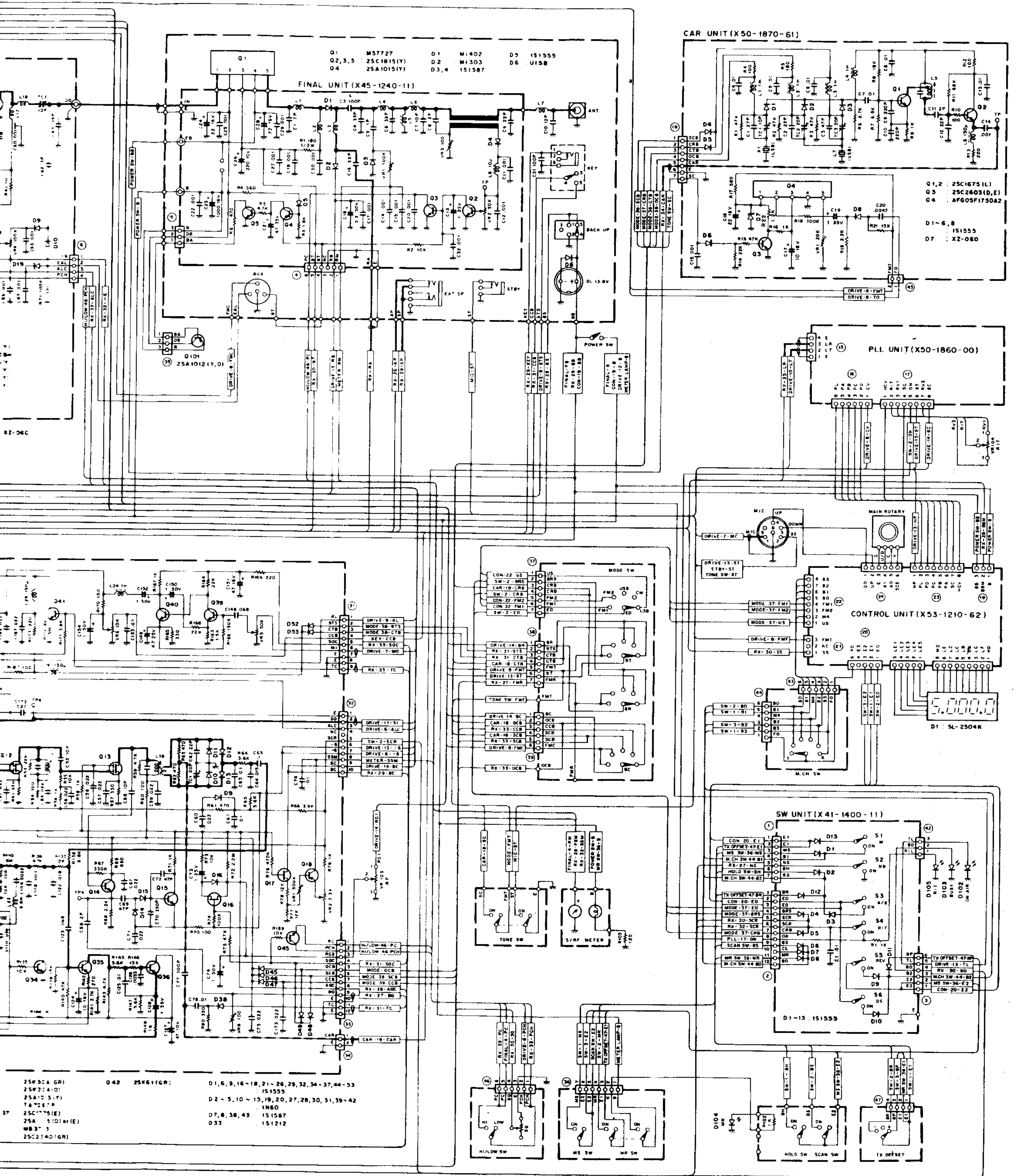


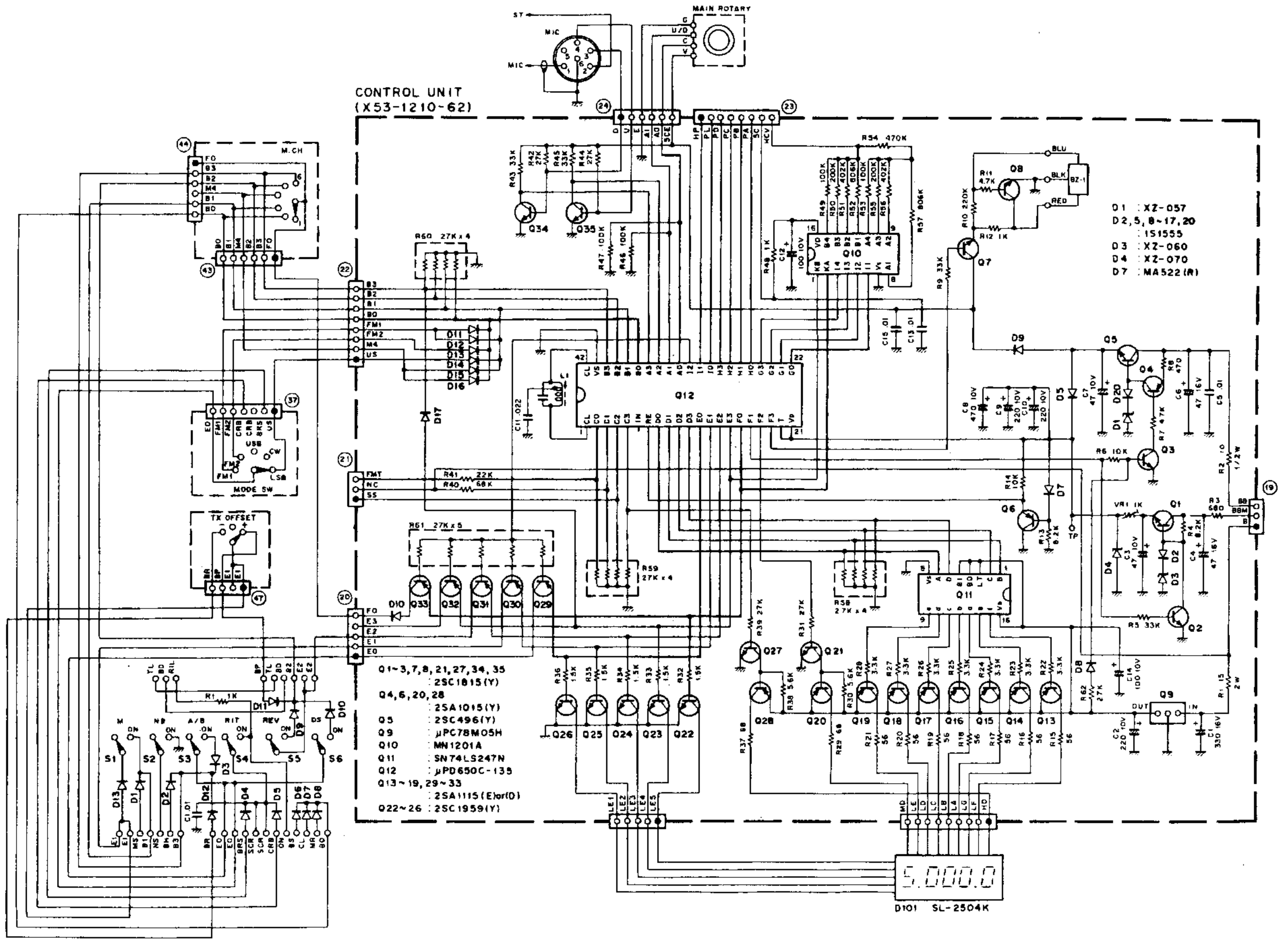
# TR-9130 SCHEMATIC



# SCHEMATIC DIAGRAM



# SCHEMATIC DIAGRAM



**PLL UNIT (X50-1860-00)**

