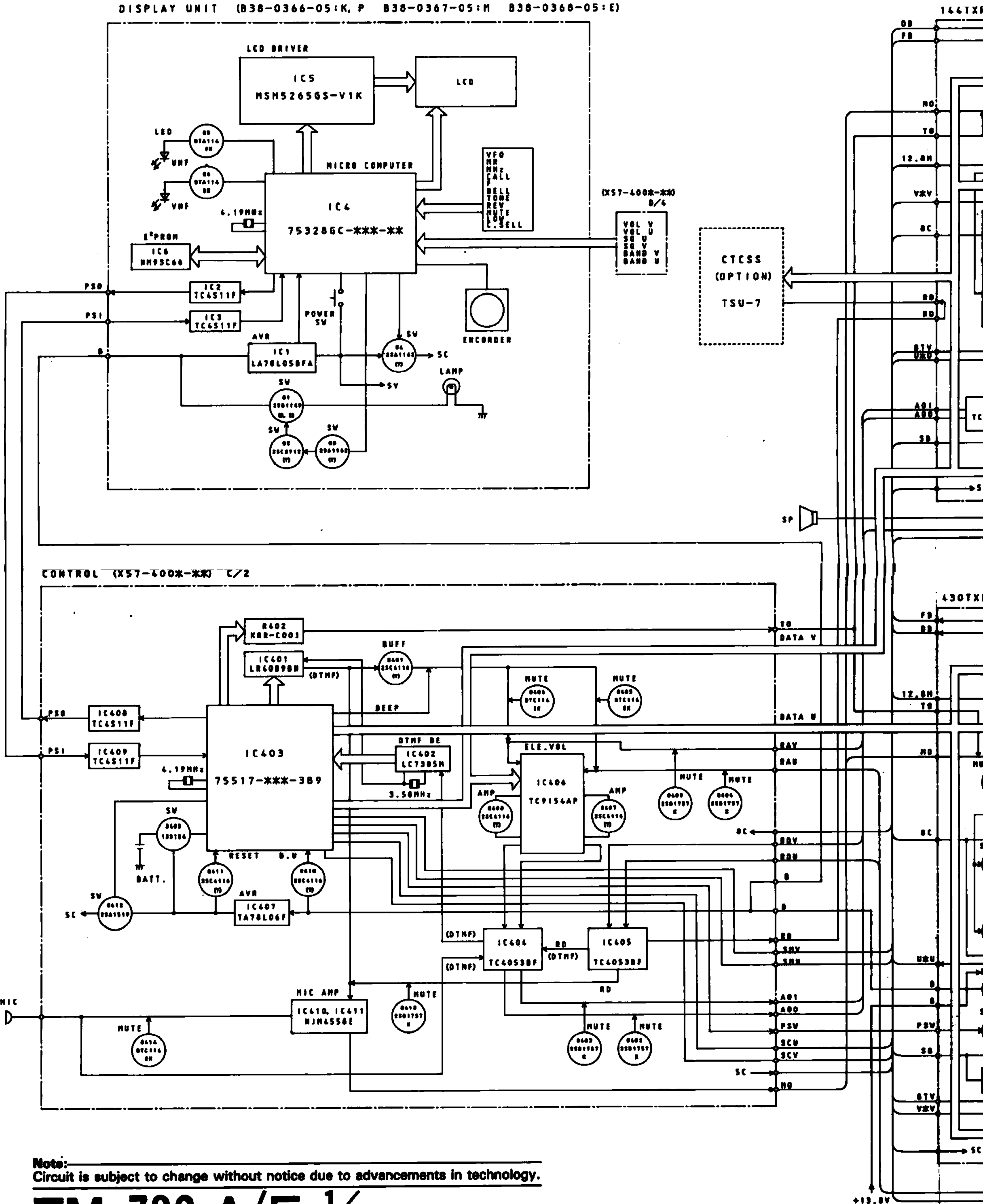


BLOCK DIAGRAM and SCHEMATIC DIAGRAM

BLOCK DIAGRAM



Note: Circuit is subject to change without notice due to advancements in technology.

TM-732 A/E 1/2

+19.0V

