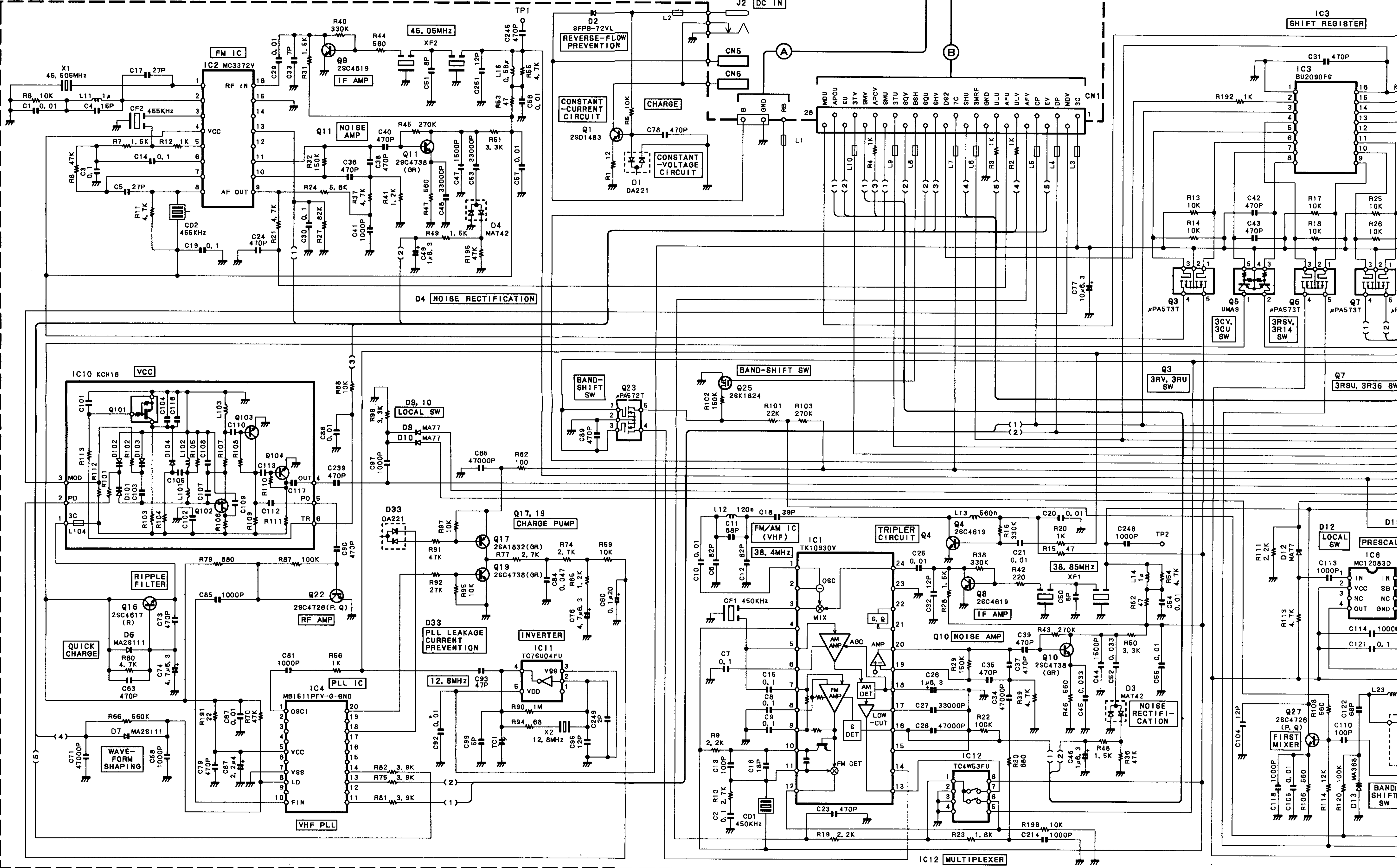


SCHEMATIC DIAGRAM (1/3)

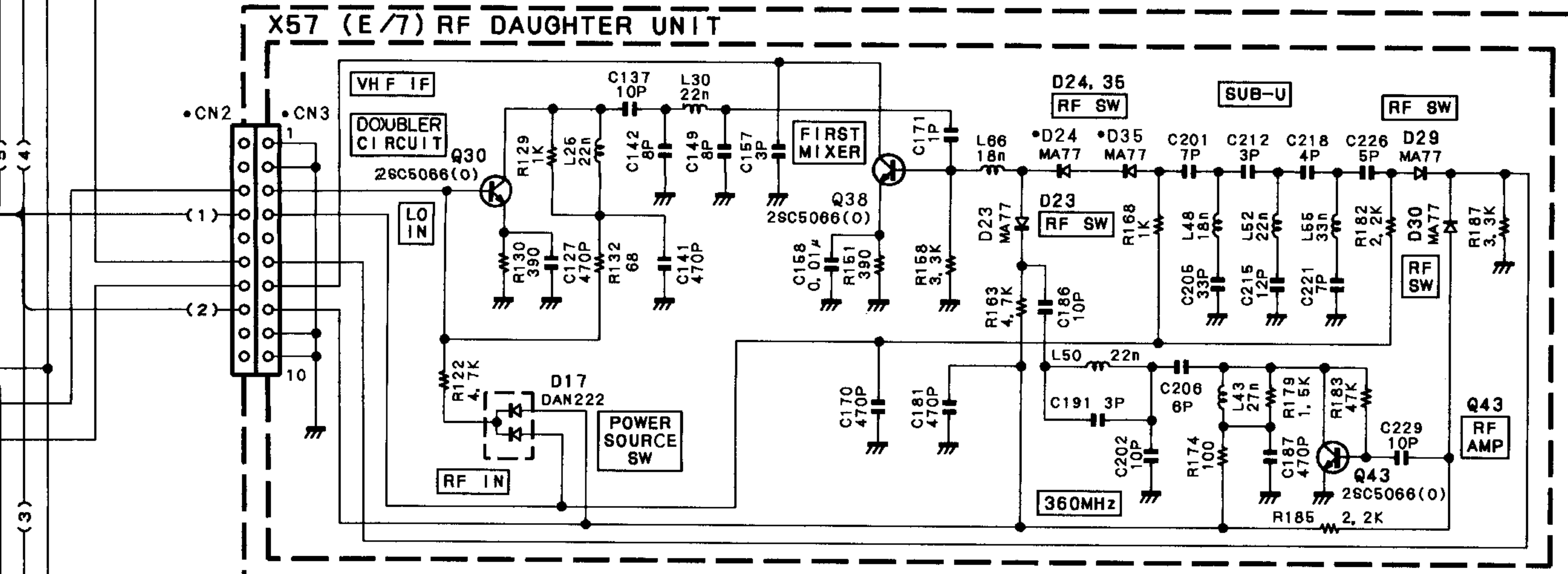
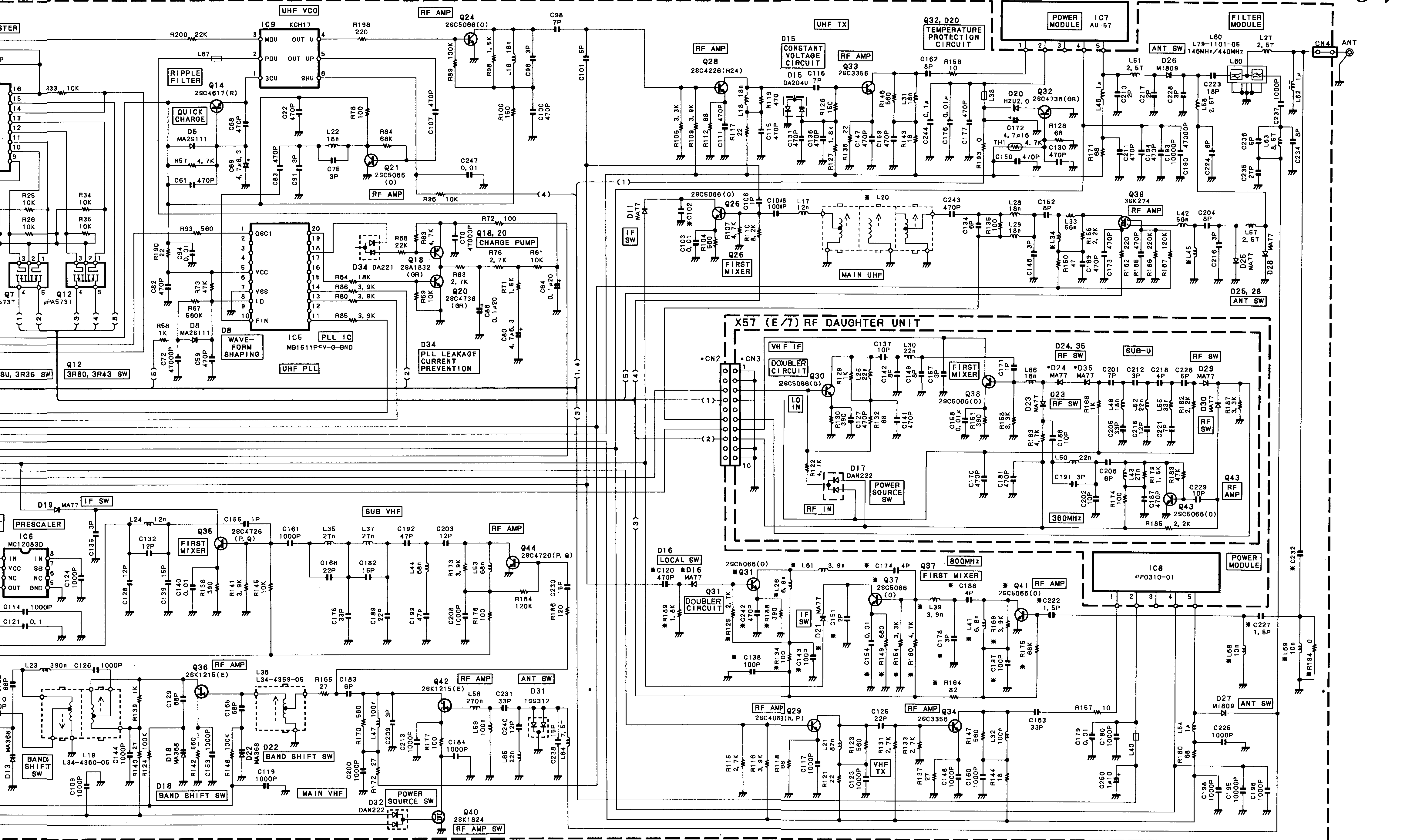
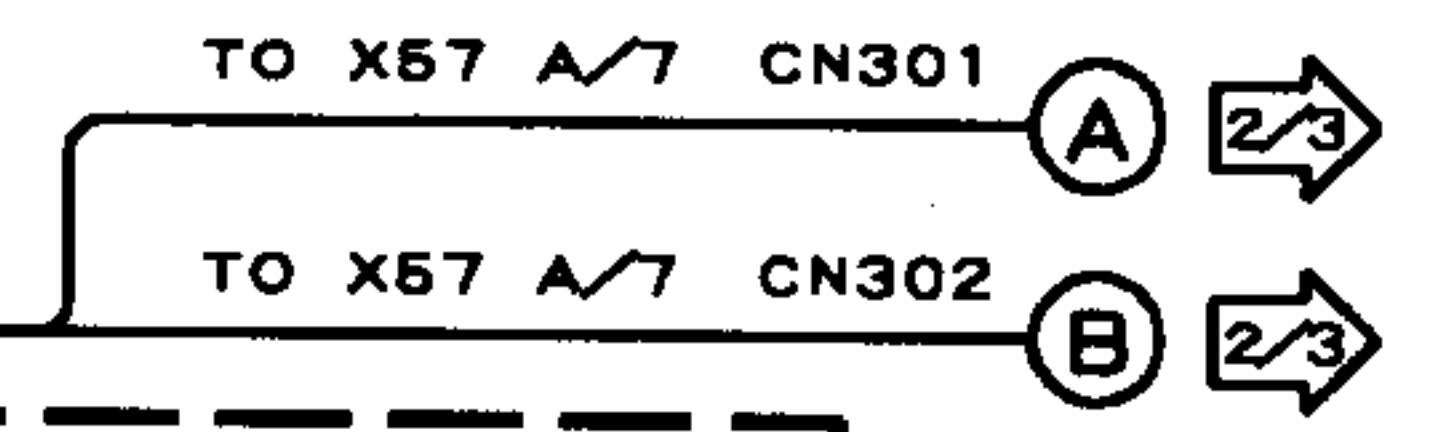
REF. NO	L20	L28, 39, 41	L34	C102	C232	C120, 138, 143, 151, 154, 174	R194	R125, 134, 149, 154, 160	D21	Q31, 37, 41
ABB	L79-1109-05	NO	12n	5P	2P	NO	YES	NO	NO	NO
X, T, E, E2, E3, E9, M, M2, M3, M4	L79-1108-05	YES	15n	3P	1, 5P	YES	NO	YES	YES	YES

IC1	:TK10930V	IC6	:MC12083D	IC10	:KCH16	Q1	:2D1
IC2	:MC3372V	IC7	:AU-57	IC11	:TC78U04FU	Q3, 6, 7, 12	:μPA5
IC3	:BU2090FS	IC8	:PF0310-01	IC12	:TC4W53FU	Q4, 8, 9	:2IC4
IC4, 5	:MB1511PFV-G-BND	IC9	:KCH17			Q5	:UA9

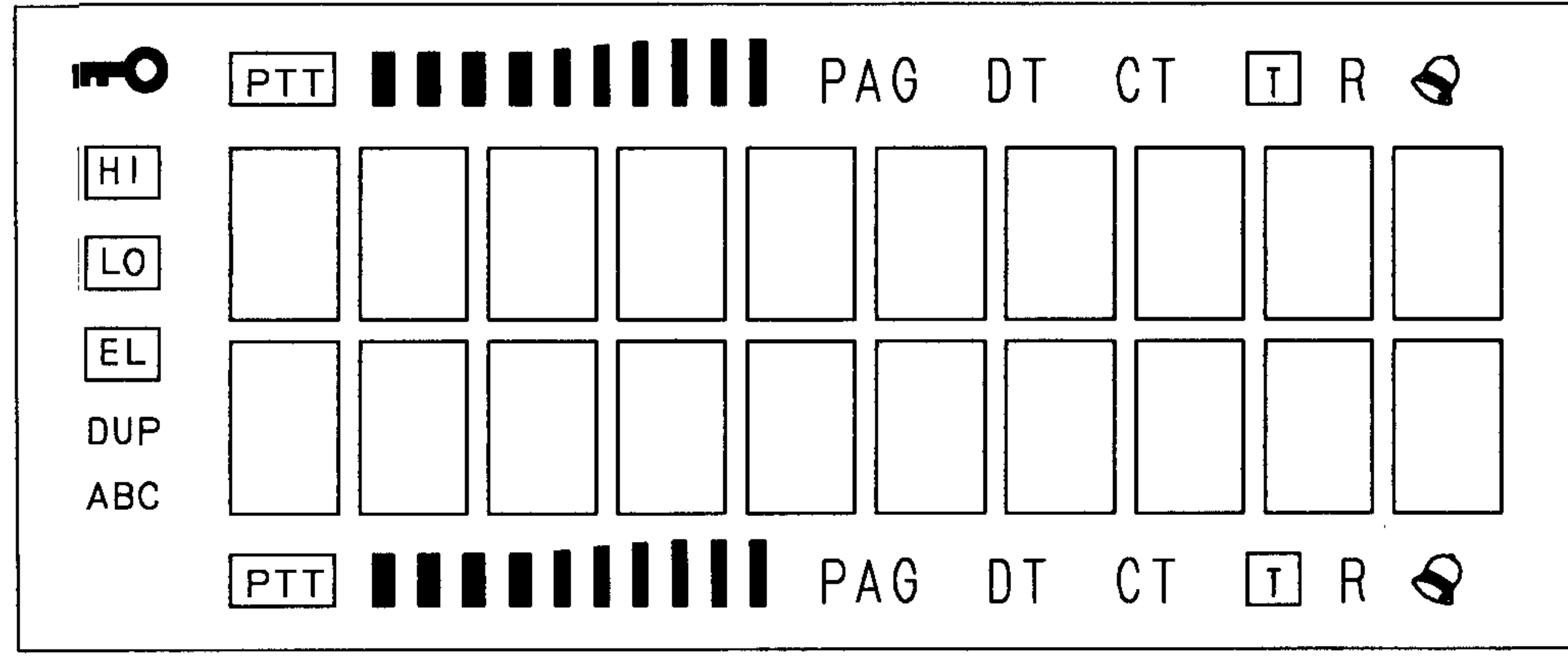
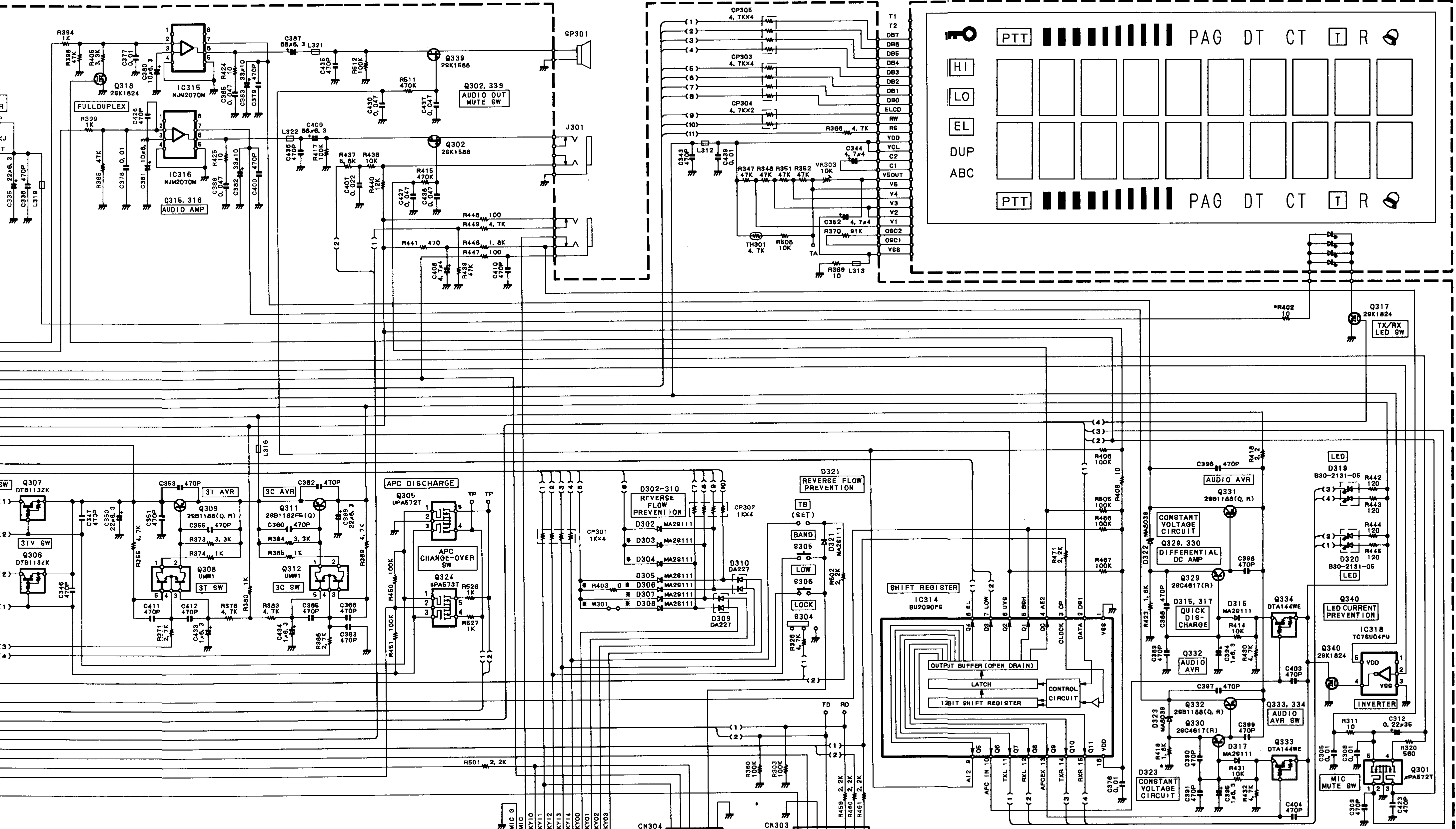
X57-440X-XX(B/7) RF UNIT 0-11(K, P), 0-71(X), 2-71(T, E), 2-72(E2), 2-73(E3, E9), 0-21(M)



:2D1483	Q10, 11, 19,	:28C4738(OR)	Q21, 24, 26,	:28C5066(O)	Q23	:PA572T	Q33, 34	:28C3356	D1, 14, 33, 34	:DA221	D9- 12, 16, 19, 21, 23-25	:MA77	D17, 32	:DAN222
:PA573T	20, 32		30, 31, 37,		Q25, 40	:28K1824	Q36, 42	:28K1215(E)	D2	:8FPB-72VL	28- 30, 35		D20	:HZU2, 0
:24C4619	Q14, 16	:28C4617(R)	38, 41, 43,		Q28	:28C4226(R24)	Q39	:38K274	D3, 4	:MA742	D13, 18, 22	:MA368	D26, 27	:MI809
:UA9	Q17, 18	:28A1832(OR)	Q22, 27, 35, 44	:28C4726(P, Q)	Q29	:28C4083(N, P)			D5-8	:MA28111	D15	:DA204U	D31	:188312



Note:
Circuits are subject to change without notice due to advancements in tech



-81335H0-K1	IC310	:TC7S081FU	Q301, 305	:#PA572T	Q317, 318, 340	:28K1824
8P0580CJJA-K	IC312	:JLC15515F	Q302, 339	:28K1588	Q324	:#PA573T
0-01)	IC313	:TC4W631FU	Q303	:UMC5	Q333, 334	:DTA144WE
8P0580CJJA-K	IC314	:BU20901F6	Q304, 313, 314	:DTC144EE	Q338	:28C4738(OR)
0-71, 2-71, 2-72	IC315, 316	:NJM2070M	Q306, 307	:DTB1132K		
2-73, 0-21, 0-22)	IC318	:TC78U04FU	Q308, 312	:UMM1	D302-308, 315	:MA28111
C73881M			Q309, 331, 332	:28B1188(Q, R)	317, 321, 325	
-81235P0-PI			Q310, 315, 316	:28C4817(R)	D309, 310	:DA227
-80730SL-AT			329, 330	:D322, 323		:MA8039
-81340H0-KJ			Q311	:28B1182F5(Q)	D319, 320	:B30-2131-05

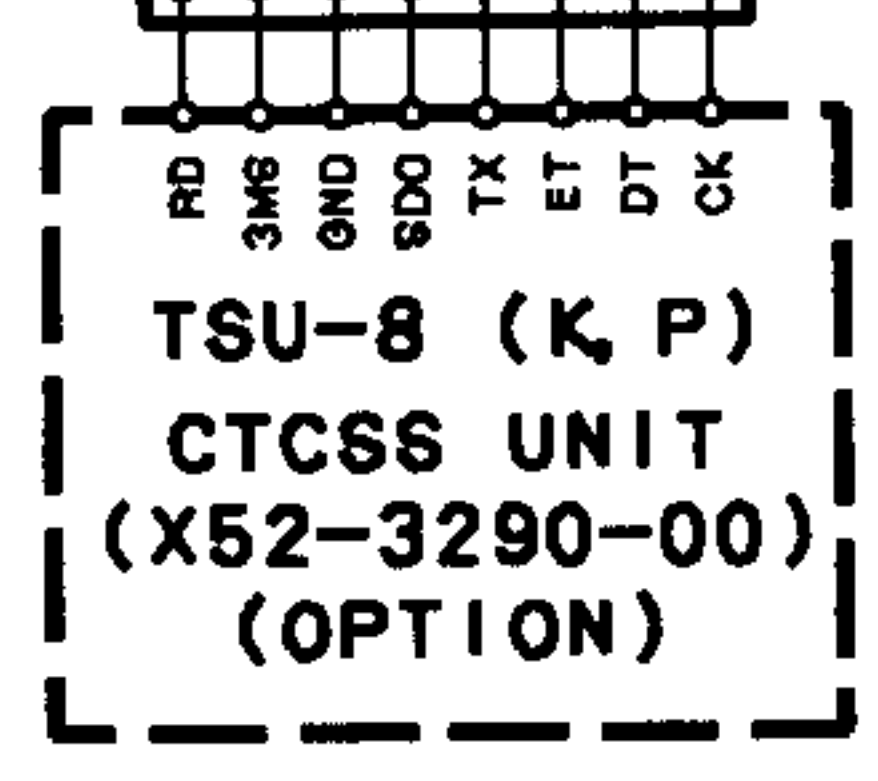
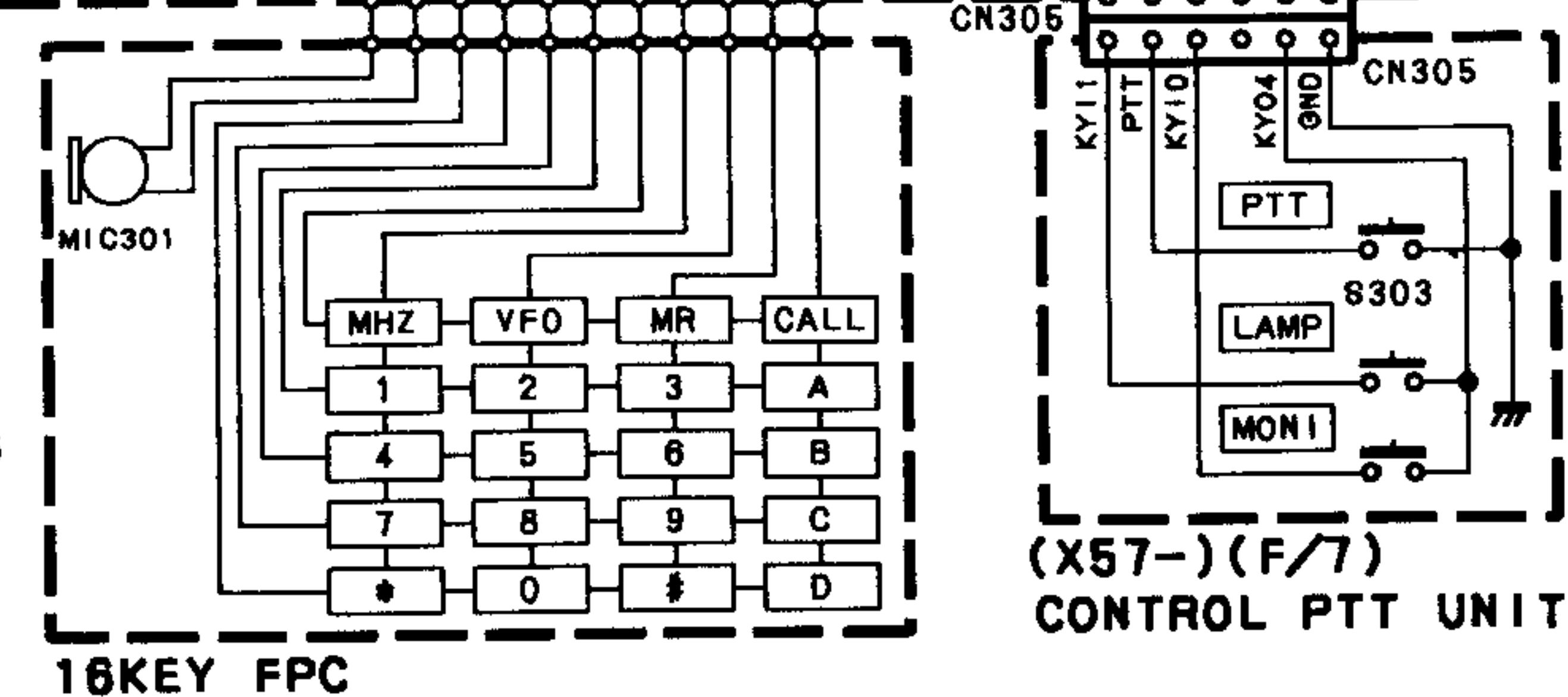
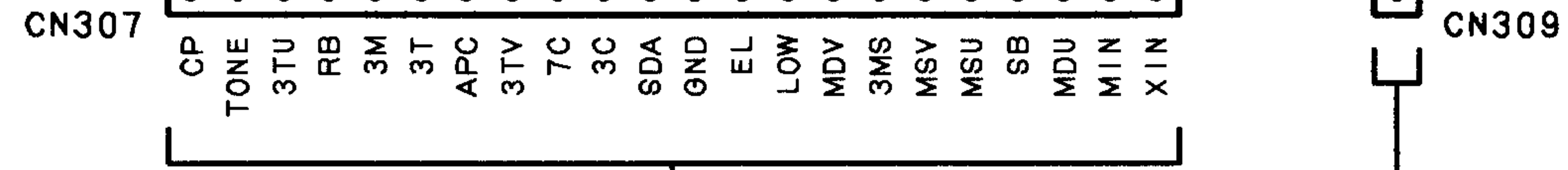
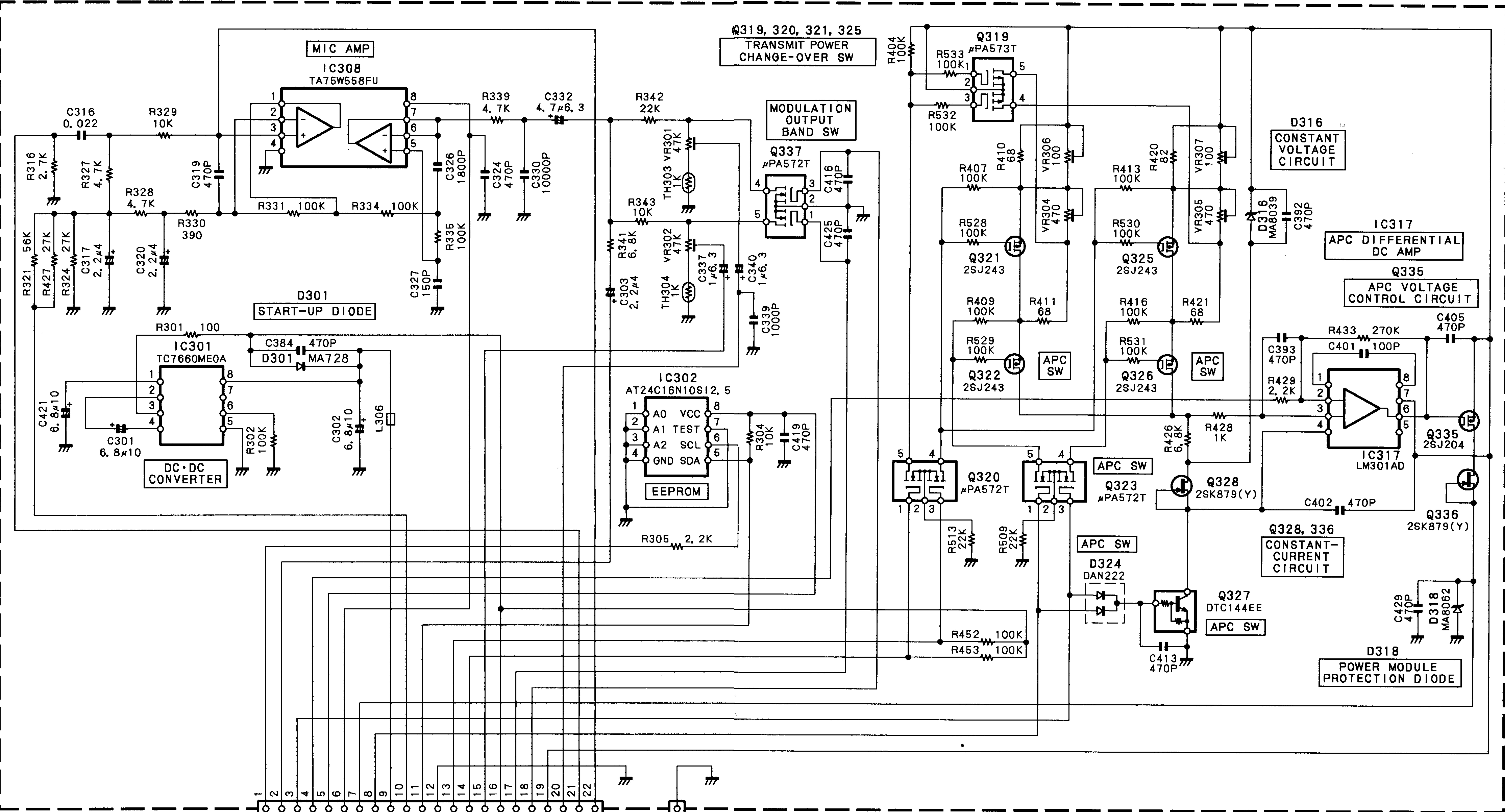
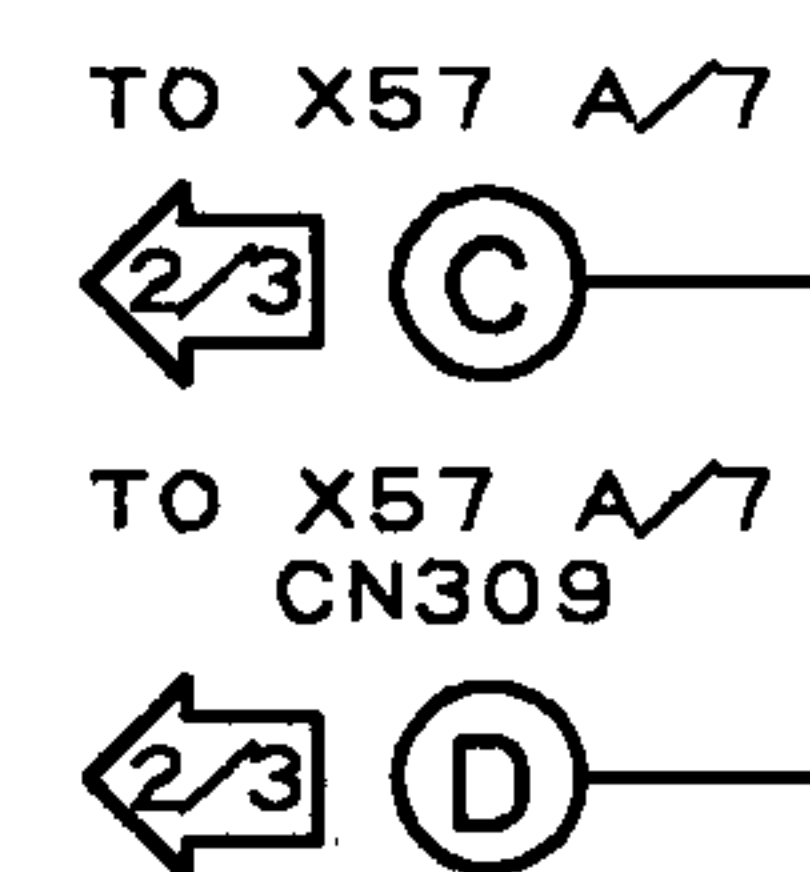


ABB	Ref. NO UNIT	D303	D304	D306	D307	D308	R318	R403	W301	TSU-8
K, P	0-11	YES		NO	YES	YES	15K	NO	YES	YES
X	0-71		YES		NO	NO			NO	NO
T, E	2-71				YES	YES	18K	YES	NO	YES
E2	2-72	NO				NO			NO	NO
E3, E9	2-73			YES	YES	NO	15K	YES	NO	NO
M	0-21	YES	NO			YES			YES	NO
M2, M3, M4	0-22					NO			NO	NO

Note: Circuits are subject to change without notice.



IC301	: TC7660ME0A	Q319	: μPA573T	D301	: MA728
IC302	: AT24C16N10S12.5	Q320, 323, 337	: μPA572T	D316	: MA8039
IC308	: TA75W558FU	Q321, 322, 325, 326	: 2SJ243	D318	: MA8062
IC317	: LM301AD	Q327	: DTC144EE	D324	: DAN222
		Q328, 336	: 2SK879(Y)		
		Q335	: 2SJ204		



Note: Circuits are subject to change without notice due to advancements in technology.