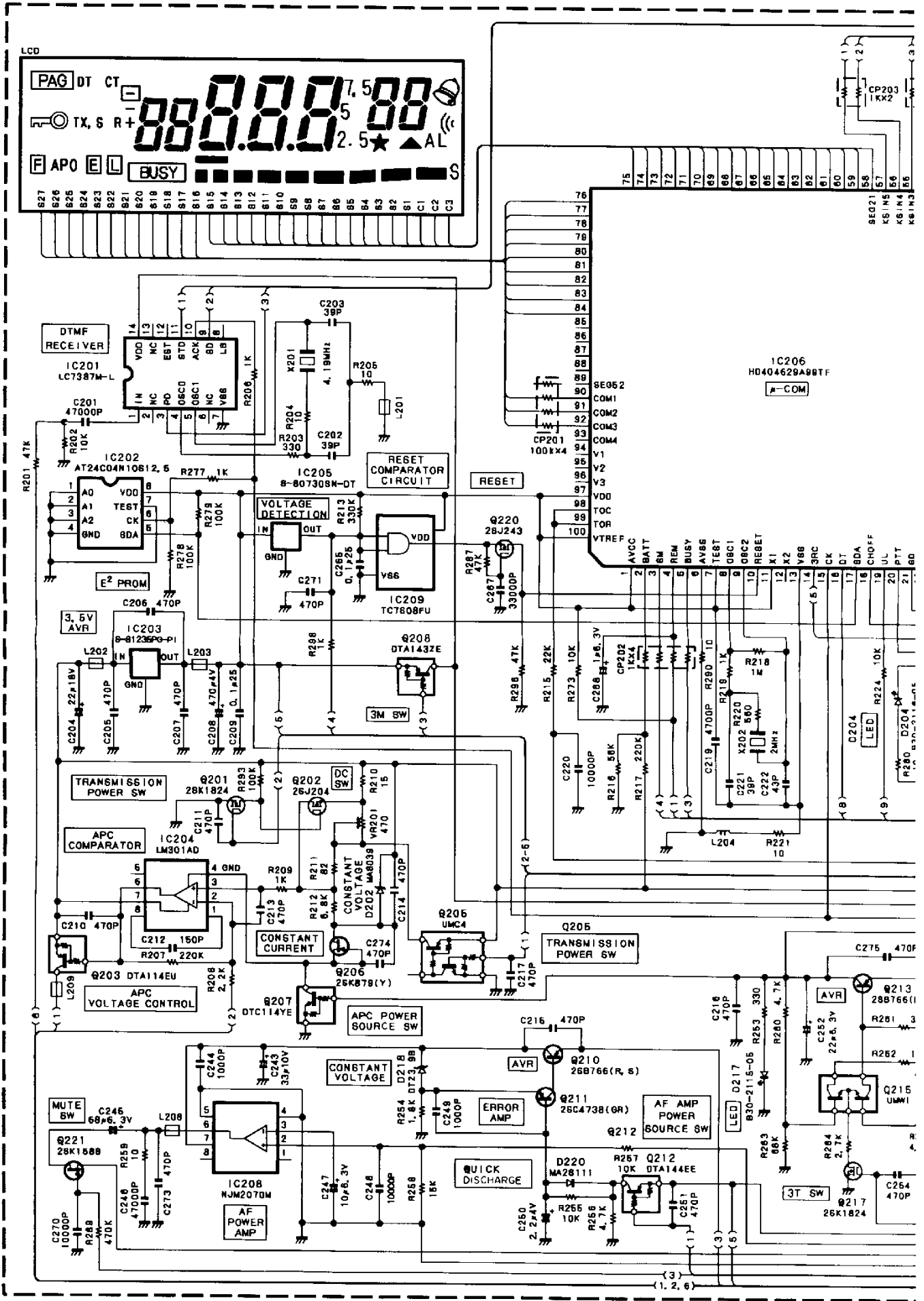
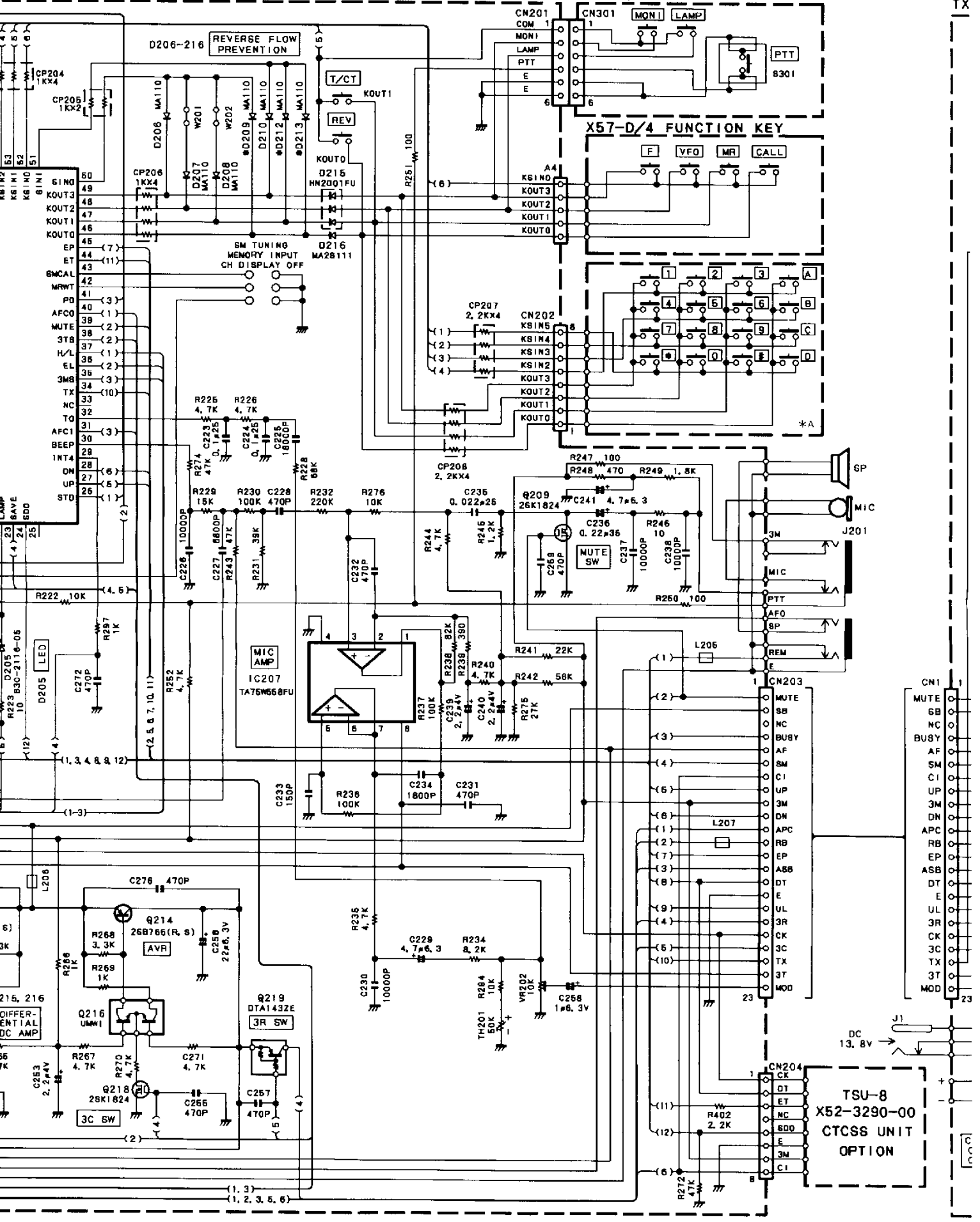


# TH-42A/42AT/42E SCHEMATIC DIAGRAM





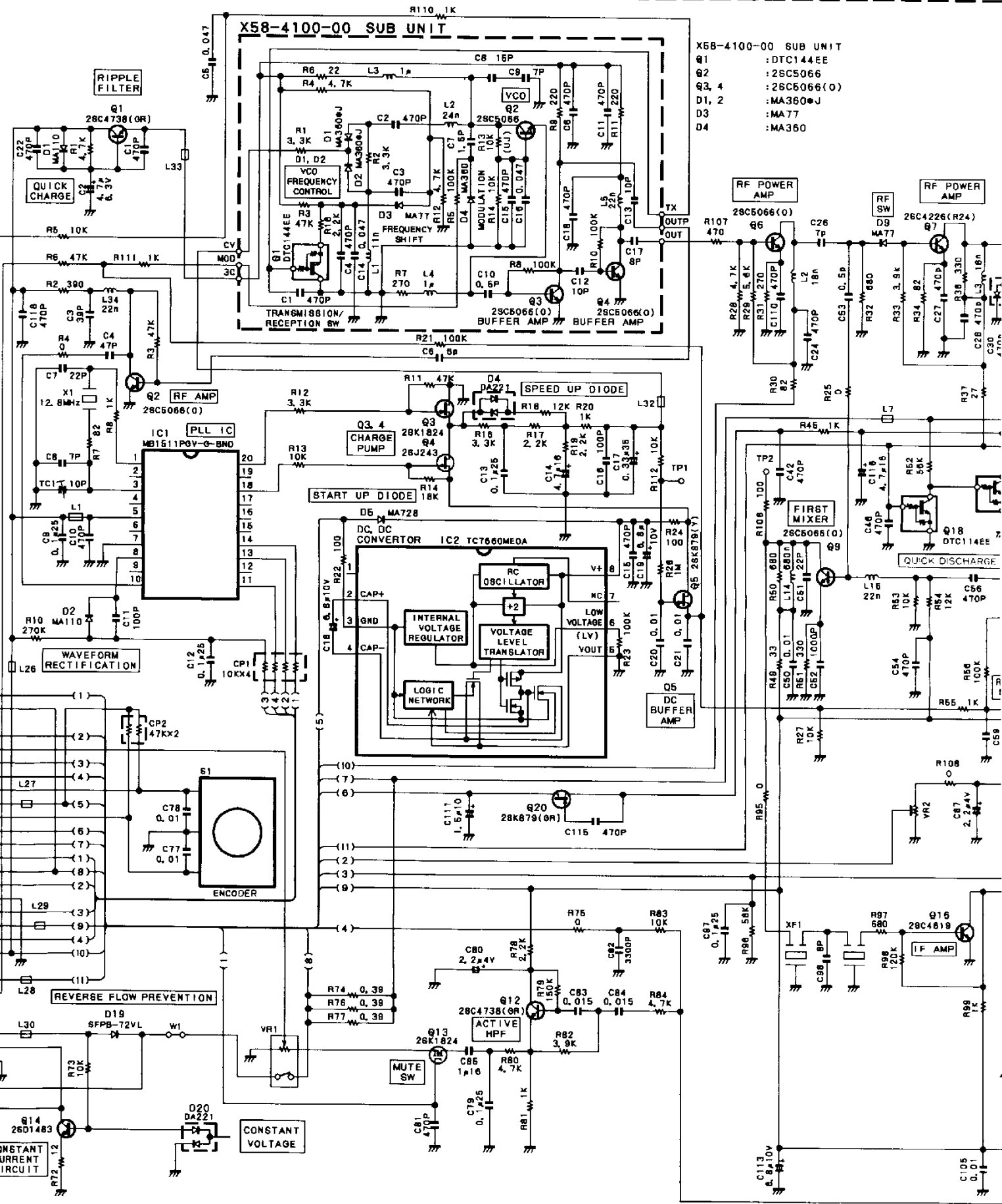
- CN1
- MUTE
- SB
- NC
- NC
- BUSY
- AF
- SM
- CI
- UP
- UP
- 3M
- DN
- APC
- RB
- EP
- ASB
- DT
- E
- UL
- 3R
- CK
- 3C
- TX
- 3T
- MOD

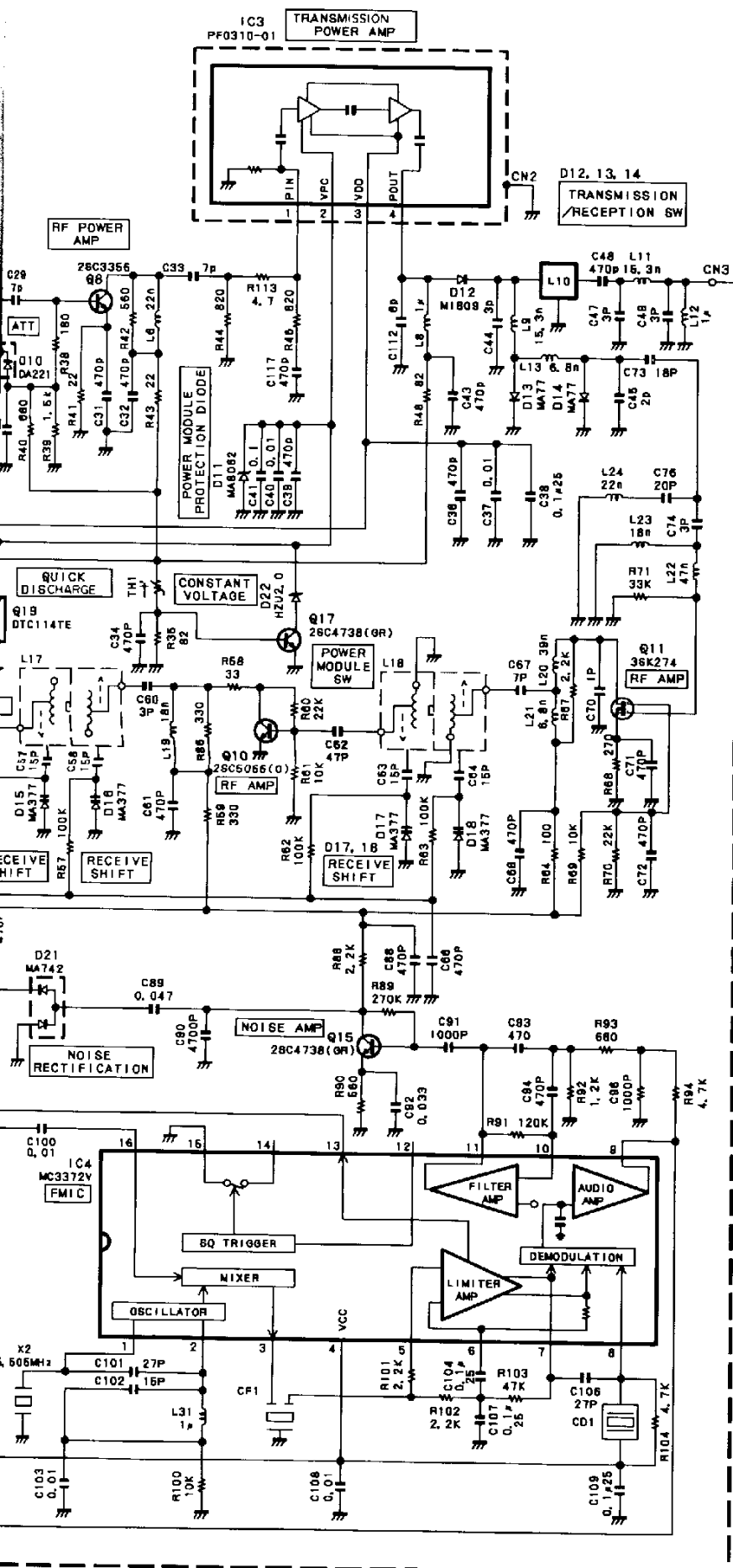
- CN204
- CK
- DT
- ET
- NC
- 500
- E
- 3M
- CI

DC 13.8V

TSU-8  
X52-3290-00  
CTCSS UNIT  
OPTION

1000





		0-xx	D208	D209	D212	D213	•A
TH-42AT	K	0-11	YES	YES	NO	NO	YES
TH-42A	M	0-21	YES	NO	YES	YES	OPTION
TH-42AT	M	0-21	YES	NO	YES	YES	YES
TH-42A	M2	0-22	NO	NO	YES	YES	OPTION
TH-42AT	M2	0-22	NO	NO	YES	YES	YES
TH-42E	E	2-71	YES	YES	YES	YES	OPTION
TH-42AT	E	2-71	YES	YES	YES	YES	YES
TH-42E	E2	2-72	YES	YES	NO	YES	OPTION
TH-42AT	E2	2-72	YES	YES	NO	YES	YES

(A/4)

- IC1 : MB1511PFV-0-BND
- IC2 : TC7660EOA
- IC3 : S-AU57
- IC4 : MC33372V

- D1, 2 : MA110
- D4, 10, 20 : DA221
- D5 : MA728
- D9, 13, 14 : MA77
- D11 : MA8082
- D12 : MI809
- D15, 16, 17, 18 : MA377
- D19 : SFPB-72VL
- D21 : MA742
- D22 : HZU2.0

- Q1, 12, 16, 17 : 25C4738(Q, R)
- Q2, 6, 9, 10 : 26C5066(0)
- Q3, 13 : 26K1824
- Q4 : 2SJ243
- Q5 : 25K879(Y)
- Q7 : 26C4226(R24)
- Q8 : 26C3356
- Q11 : 36K274
- Q14 : 26D1483
- Q16 : 25C4619
- Q18 : DTC114EE
- Q19 : DTC114TE
- Q20 : 25K879(9R)

(B/4)

- IC201 : LC7387M-L
- IC202 : AT24C04N10S12.6
- IC203 : S-81236P0-P1
- IC204 : LM301AD
- IC205 : S-80736N-DT
- IC206 : HD404629A99TF
- IC207 : TA75W58FU
- IC208 : NJM2Q70M
- IC209 : TC7808FU

- Q201, 209, 217, 218 : 26K1824
- Q202 : 26J204
- Q203 : DTA114EU
- Q205 : UNCA
- Q206 : 25K879(Y)
- Q207 : DTC114YE
- Q208, 219 : DTA1432E
- Q210, 213, 214 : 26B766(R, 6)
- Q211 : 26C4738(9R)
- Q212 : DTA144EE
- Q215, 216 : UMW1
- Q220 : 26J243
- Q221 : 26K1588

- D202 : MA8039
- D204, D205 : B30-2116-05
- D206-210, 212, 213 : MA110
- D215 : HN2D01FU
- D216, 220 : MA28111
- D217 : B30-2115-05
- D218 : DTZ3, 9(B)

Note: Circuits are subject to change without notice due to advancements in technology.